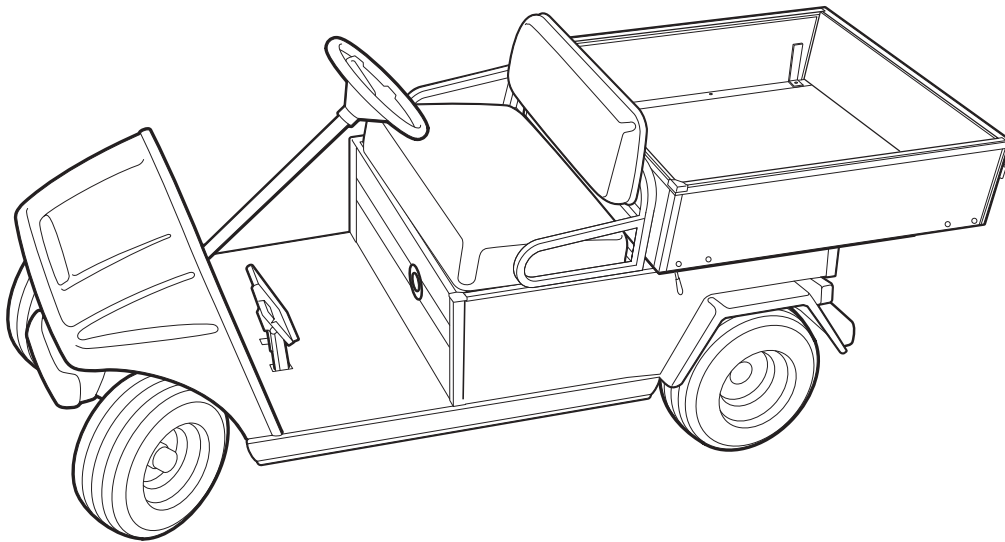




**2009-2011
Turf 1 and Carryall 1
Illustrated Parts List**



Gasoline and Electric Vehicles

Manual Number 103472608
Edition Code 0508J0112H

USING THE ILLUSTRATED PARTS LIST

⚠ WARNING

- **This manual is to be used only for identification and ordering of service parts. Be sure to read and use the maintenance and service manual before attempting any vehicle repairs.**

This manual covers all Turf/Carryall 1 vehicles built during the 2009-2011 model years.

The manual is divided into sections. Note that there are two or three flags on the outside edge of each page. The first flag contains the section number of which that page is a part. The other flag (or flags) contains the letter G or E, signifying that the page pertains to the electric or gasoline vehicles only.

Use the Table of Contents to find the sections and pages that contain the parts and assemblies you seek. The Table of Contents lists section numbers, and under them, the individual page titles and numbers to be found in that section. The index can be used to find specific parts and assemblies. The index is divided into numerical and alphabetical listings with the page numbers in italic text.

There is a two-page spread for each individual page title in the Table of Contents. On the left-hand page is an illustration showing the parts in their relative positions; the parts are each tagged with an item number in a balloon. The right-hand page is the parts list page, and gives the page title at the top, then the item numbers (corresponding to the numbers on the illustration), part descriptions, and quantity of parts used.

Note that a part description may be indented. This indention corresponds to a parts assembly level indicated by the numbers 1, 2, 3, and 4 at the top left corner of the parts description area of the parts list page. A part that is indented to *level 2* is a component of the *level 1* part (assembly) that it is listed under. A *level 3* part is a component of the *level 2* part that it is listed under, and a *level 4* part is a component of the *level 3* part preceding it. In each case, the part quantity given for a level 2, 3, or 4 part is the *quantity used per next higher level assembly of which it is a component*. A part that is not indented is a *level 1* part. This means that the quantity given is the quantity used per the portion of the vehicle illustrated on that particular spread.

HOW TO ORDER PARTS

Replacement parts and accessories can be obtained from our network of authorized dealers and distributors. You can obtain the name and phone number of your closest authorized Club Car dealer or distributor by visiting our web site at www.clubcar.com and clicking on the "Distributor Search" link or by calling our toll-free Service Parts and Technical Assistance hotline at (800) 872-2246 or (706) 863-3000, extension 3887.



P. O. Box 204658
Augusta, Georgia 30917-4658 USA
Telephone 706-863-3000
Service Parts Fax 706-855-7413
www.clubcar.com

NOTE: *This illustrated parts list represents the most current information at the time of publication. Club Car, LLC. is continually working to further improve its vehicles and other products. These improvements may affect the parts used to service the vehicle. Any modification and/or significant change in specifications will be forwarded to all Club Car and Carryall distributors/dealers and will, when applicable, appear in future editions of this illustrated parts list.*

Club Car, LLC. reserves the right to change specifications and designs at any time without notice and without the obligation of making changes to units previously sold.

Copyright © 2010 Club Car, LLC.
Club Car and *ArmorFlex*
are registered trademarks of Club Car, LLC.
This manual effective October 1, 2010.

2009-2011 Turf 1 and Carryall 1 Vehicles Illustrated Parts List

CONTENTS

SECTION 1 – BODY AND TRIM

| | |
|--|------|
| Front Body and Trim – Turf 1 | 1-3 |
| Front Body and Trim – Carryall 1 | 1-5 |
| Dash Pockets and Floormat | 1-7 |
| Beverage Holder | 1-9 |
| Seat Bottom | 1-11 |
| Seat Back Assembly | 1-13 |
| Hip Restraints and Seat Back Mounting | 1-15 |
| Tilt Bed, Hinge, and Latch – Turf/Carryall 1 | 1-17 |
| Latch Plate | 1-19 |
| Cargo Box | 1-21 |
| Cargo Box Mounting | 1-23 |
| Trailer Hitch | 1-25 |
| Rear Body Trim | 1-27 |

SECTION 2 – WHEELS AND TIRES

| | |
|------------------------|-----|
| Wheels and Tires | 2-3 |
|------------------------|-----|

SECTION 3 – DECALS

| | |
|----------------------------------|-----|
| Decals | 3-3 |
| Decals – Electric Vehicles | 3-5 |
| Decals – Gasoline Vehicles | 3-7 |
| Decals, Logo | 3-9 |

SECTION 4 – BRAKES, PEDALS, AND CABLE ASSEMBLIES

| | |
|---|------|
| Rear Brake Assembly, Self-Adjusting – Vehicle with 2-Wheel Brakes | 4-3 |
| Brake Pedal Assembly – Vehicles with Two-Wheel Brakes | 4-5 |
| Brake Cables and Equalizer | 4-7 |
| Accelerator Pedal Assembly – Gasoline Vehicle | 4-9 |
| Accelerator Pedal Assembly – Electric Vehicles with MCOR | 4-11 |
| Accelerator Rod – Gasoline Vehicles | 4-13 |

SECTION 5 – STEERING, FRONT AND REAR SUSPENSION

| | |
|-----------------------------------|------|
| Steering Column | 5-3 |
| Steering Wheel – Turf 1 | 5-5 |
| Steering Wheel – Carryall 1 | 5-7 |
| Steering Gear Assembly | 5-9 |
| Front Suspension, Upper | 5-11 |

CONTENTS

| | |
|--|------|
| Front Suspension, Lower | 5-13 |
| Front Spindles and Hubs – Vehicles with Two-Wheel Brakes | 5-15 |
| Rear Suspension Components – Electric Vehicles | 5-17 |
| Steering Gear Assembly | 5-19 |
| Rear Suspension Components – Gasoline Vehicles | 5-21 |

SECTION 6 – ELECTRICAL SYSTEM – GASOLINE VEHICLE

| | |
|--|------|
| Wiring | 6-5 |
| Instrument Panel and Electrical Components | 6-7 |
| Electrical Component Box | 6-9 |
| Starter/Generator Assembly Model G425419 – Gasoline Vehicles | 6-11 |
| FE350 Starter/Generator Mounting – Gasoline Vehicles | 6-13 |
| Battery – Gasoline Vehicle | 6-15 |
| Operation and Maintenance Switch | 6-17 |

SECTION 7 – FE350 ENGINE – S27

| | |
|---|------|
| FE350 Engine – Oil Circulation | 7-3 |
| FE350 Engine without ACR (Automatic Compression Release) – Shrouds and Brackets | 7-5 |
| AS26 FE350 Engine – Ignition Components and Flywheel | 7-7 |
| AS26 FE350 Engine – Cylinder Head | 7-9 |
| AS26 FE350 Engine – Crankcase and Crankshaft Oil Sensor | 7-11 |
| AS26 FE350 Engine – Crankcase and Crankshaft | 7-13 |
| FE350 Engine Mounting | 7-15 |

SECTION 8 – FE350 ENGINE WITHOUT ACR

| | |
|--|------|
| AS11 FE350 Engine without ACR (Automatic Compression Release) – Shrouds and Brackets | 8-3 |
| AS11 FE350 Engine – Ignition Components and Flywheel | 8-5 |
| FE350 Engine – Oil Circulation | 8-7 |
| AS11 FE350 Engine – Cylinder Head | 8-9 |
| AS11 FE350 Engine without ACR – Crankcase, Camshaft, and Oil Sensor | 8-11 |
| AS11 FE350 Engine – Crankcase and Crankshaft | 8-13 |
| FE350 Engine Mounting | 8-15 |

SECTION 9 – EXHAUST SYSTEM

| | |
|-------------------------------------|-----|
| Exhaust System – FE350 Engine | 9-3 |
|-------------------------------------|-----|

SECTION 10 – FUEL, INTAKE, AND GOVERNOR SYSTEMS

| | |
|--------------------|------|
| Splash Guard | 10-3 |
|--------------------|------|

CONTENTS

| | |
|--|-------|
| Fuel Tank (Non-California) with Sending Unit | 10-5 |
| Fuel System | 10-7 |
| Carburetor Assembly – FE350 | 10-9 |
| Carburetor Installation – FE350 | 10-11 |
| Governor and Accelerator Cables | 10-13 |
| Air Box and Intake Hose | 10-15 |
| Intake System | 10-17 |
| Fuel System | 10-19 |
| Fuel Tank (California) with Sending Unit | 10-21 |
| Carburetor Assembly – FE350 S27 | 10-23 |
| Carburetor Installation – FE350 S27 | 10-25 |

SECTION 11 – TORQUE CONVERTER

| | |
|--------------------------|------|
| Drive Clutch | 11-3 |
| Drive Belt – FE350 | 11-5 |
| Driven Clutch | 11-7 |

SECTION 12 – UNITIZED TRANSAXLE AND FORWARD/REVERSE SHIFTER

| | |
|--|-------|
| Transaxle – Gasoline Vehicles, Gear Cases and Brackets | 12-3 |
| Transaxle – Gasoline Vehicles, Transmission and Gear Reduction | 12-5 |
| Transaxle – Gasoline Vehicles, Differential and Axles | 12-7 |
| Forward/Reverse Shifter | 12-9 |
| Forward/Reverse Shifter Cable | 12-11 |

SECTION 13 – ELECTRICAL SYSTEM – ELECTRIC VEHICLES

| | |
|--|-------|
| Wiring – Electric Vehicle | 13-5 |
| Computer, Controller, and Solenoid | 13-9 |
| Motor Controller Output Regulator (MCOR) | 13-11 |
| Instrument Panel and Electrical Components | 13-13 |
| Battery Charger Receptacle | 13-15 |
| Batteries (T875), Electric Vehicle | 13-17 |
| Batteries (T890) | 13-19 |
| Tow/Run Switch | 13-21 |
| Hour Meter – Turf 1 Vehicles | 13-23 |

SECTION 14 – ELECTRIC MOTOR

| | |
|---|------|
| Motor (Model 5BC59JBS6365A) | 14-3 |
| Motor (Model EJ4-4001) – Electric Vehicle | 14-5 |

CONTENTS

| | |
|--|------|
| Motor (Model EJ8-4001A) – Electric Vehicle | 14-7 |
|--|------|

SECTION 15 – TRANSAXLE – ELECTRIC VEHICLES

| | |
|-------------------------------------|------|
| Transaxle – Electric Vehicles | 15-3 |
|-------------------------------------|------|

SECTION 16 – BATTERY CHARGER

| | |
|--|-------|
| PowerDrive 3 Battery Charger, Domestic | 16-3 |
| PowerDrive 2 Battery Charger (Model 22110), Domestic | 16-5 |
| PowerDrive Battery Charger (Model 17930), Domestic | 16-7 |
| PowerDrive Battery Charger (Model 18780), Export | 16-9 |
| PowerDrive Battery Charger (Model 20310), European | 16-11 |

SECTION 17 – MAINTENANCE AND SERVICE TOOLS

| | |
|--|-------|
| Maintenance and Service Tools | 17-3 |
| Maintenance and Service Tools, Continued | 17-5 |
| Maintenance and Service Tools, Continued | 17-7 |
| Maintenance and Service Tools, Continued | 17-9 |
| Maintenance and Service Tools, Continued | 17-11 |

SECTION i – INDEX

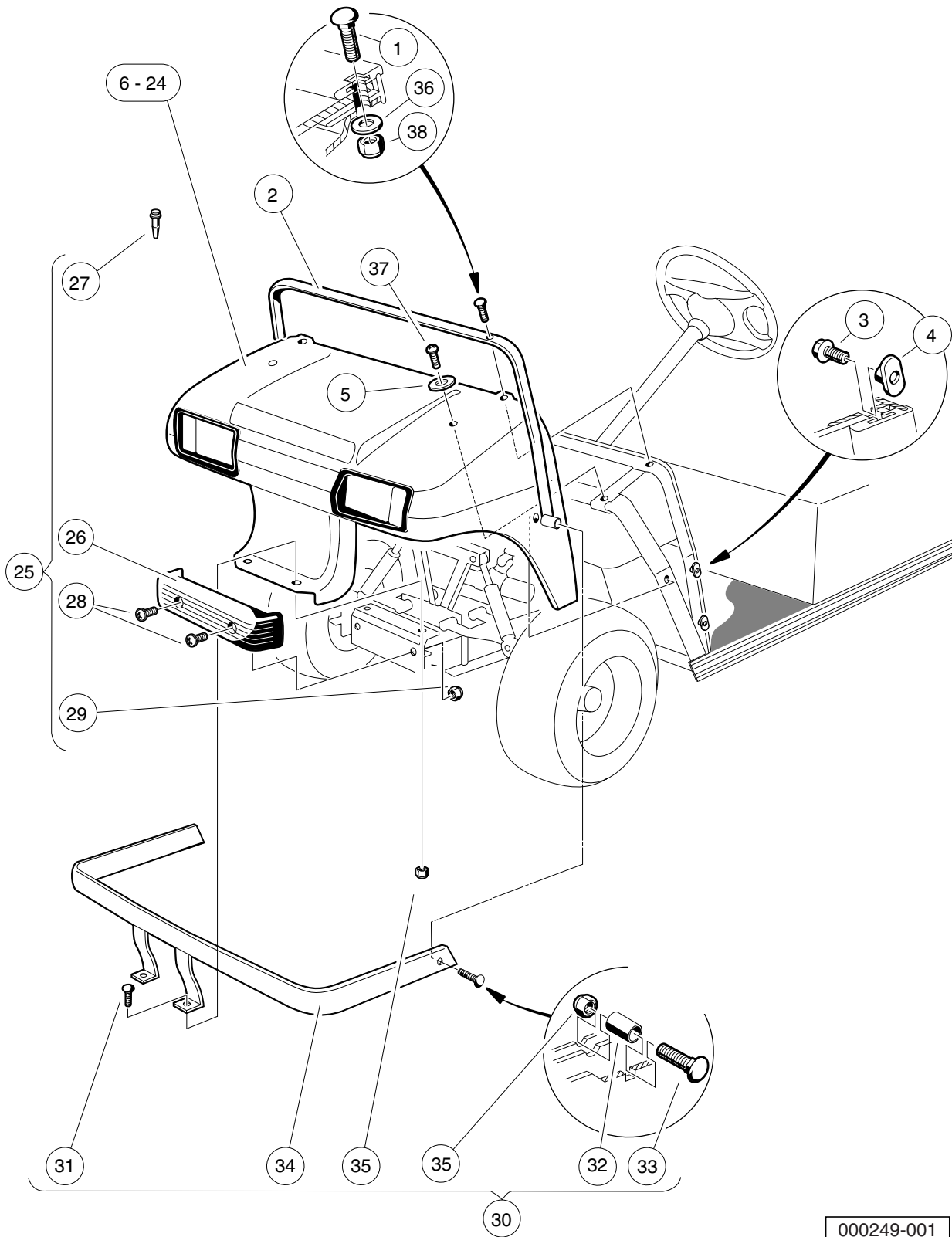
BODY AND TRIM

1

G

E

1
G
E



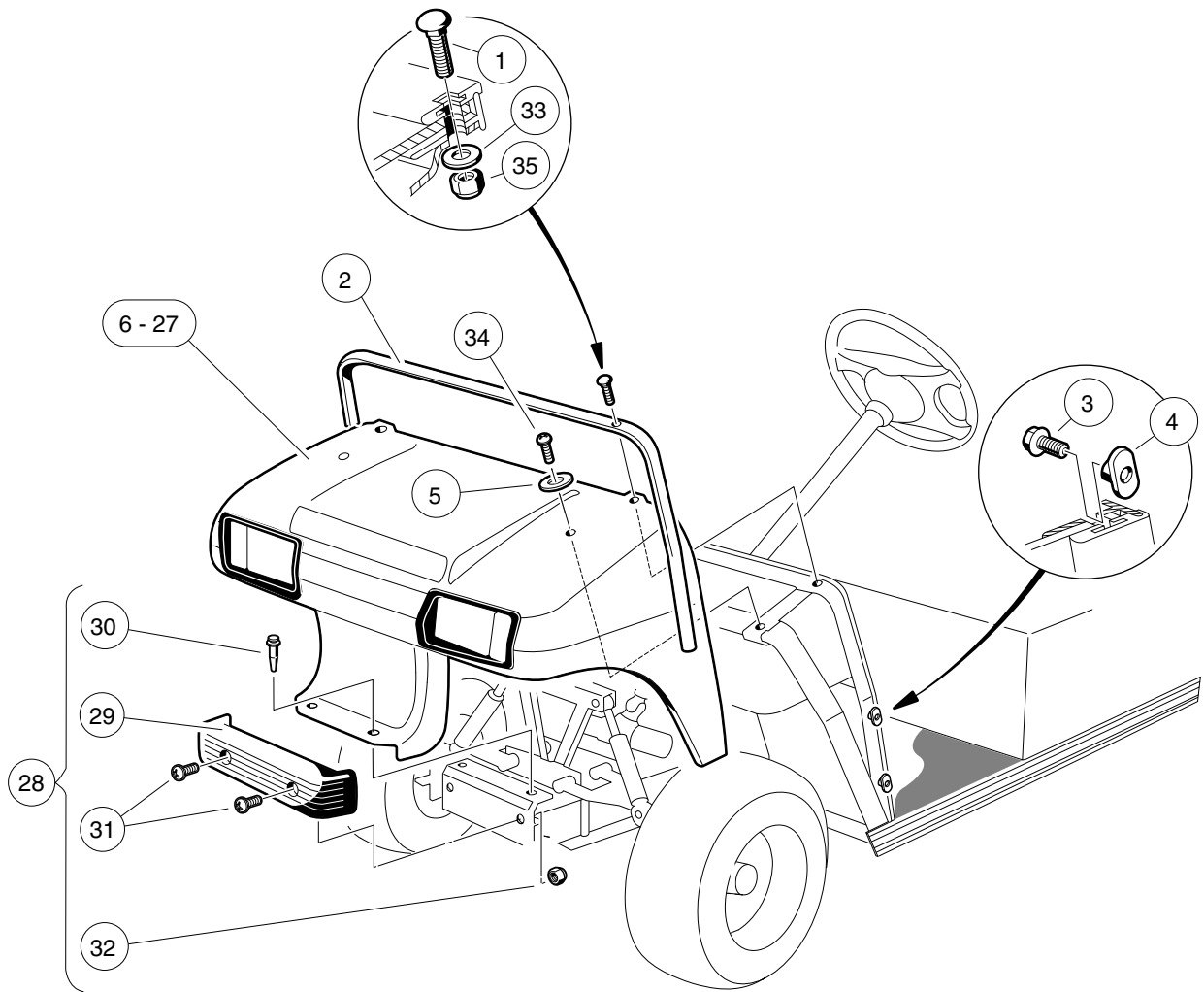
000249-001

FRONT BODY AND TRIM – TURF 1

| ITEM | PART NO. | DESCRIPTION | QTY |
|------|-----------|---|-----|
| | | 1 2 3 4 | |
| 1 | 1010435 | Bolt, Carriage, 5/16-18 X 1.00 | 2 |
| 2 | 1011014 | Trim, Cowl | 1 |
| 3 | 1011017 | Screw, #8-32 X 0.375 | 6 |
| 4 | 1011394 | T-Nut Package (Set of 4) | 1 |
| 5 | 1015075 | Washer, 5/16 Flat Type A | 2 |
| 6 | 101692501 | Cowl, TPO, Beige | 1 |
| 7 | 101692502 | Cowl, TPO, White | 1 |
| 8 | 101692506 | Cowl, TPO, Red | 1 |
| 9 | 101692509 | Cowl, TPO, Pacific Blue (Royal Blue) | 1 |
| 10 | 101692510 | Cowl, TPO, Dark Green | 1 |
| 11 | 101692511 | Cowl, TPO, Black | 1 |
| 12 | 101692512 | Cowl, TPO, Classic Blue (Navy) | 1 |
| 13 | 101692513 | Cowl, TPO, Burgundy | 1 |
| 14 | 101692514 | Cowl, TPO, Dark Gray | 1 |
| 15 | 101692515 | Cowl, TPO, Safety Yellow | 1 |
| 16 | 101693901 | Cowl with Headlight Opening, TPO, Beige | 1 |
| 17 | 101693902 | Cowl with Headlight Opening, TPO, White | 1 |
| 18 | 101693906 | Cowl with Headlight Opening, TPO, Red | 1 |
| 19 | 101693909 | Cowl with Headlight Opening, TPO, Dark Green | 1 |
| 20 | 101693910 | Cowl with Headlight Opening, TPO, Black | 1 |
| 21 | 101693911 | Cowl with Headlight Opening, TPO, Classic Blue (Navy) | 1 |
| 22 | 101693912 | Cowl with Headlight Opening, TPO, Burgundy | 1 |
| 23 | 101693913 | Cowl with Headlight Opening, TPO, Dark Gray | 1 |
| 24 | 101693914 | Cowl with Headlight Opening, TPO, Safety Yellow | 1 |
| 25 | 1017080 | Kit, Front Bumper (includes items 26 through 29) | 1 |
| 26 | 1016868 | Front Bumper | 1 |
| 27 | 1016967 | Blind Rivet, Push Type | 2 |
| 28 | 7251 | Screw, 5/16-18 x 1.0 Truss-Head | 2 |
| 29 | 7473 | Locknut, 5/16-18 Nylon Insert | 2 |
| 30 | 101734802 | Kit, Heavy-Duty Bumper (includes items 31 through 35) | 1 |
| 31 | 1010435 | Bolt, Carriage, 5/16-18 X 1.00 | 2 |
| 32 | 1010546 | Spacer | 2 |
| 33 | 1015405 | Bolt, Carriage, 5/16-18 X 2.0 | 2 |
| 34 | N/A | Weldment, Heavy Duty Bumper | 1 |
| 35 | 7473 | Locknut, 5/16-18 Nylon Insert | 4 |
| 36 | 1241 | Washer, 5/16 Type A Flat | 2 |
| 37 | 7251 | Screw, 5/16-18 x 1.0 Truss-Head | 2 |
| 38 | 7473 | Locknut, 5/16-18 Nylon Insert | 2 |

1
G
E

1
G
E

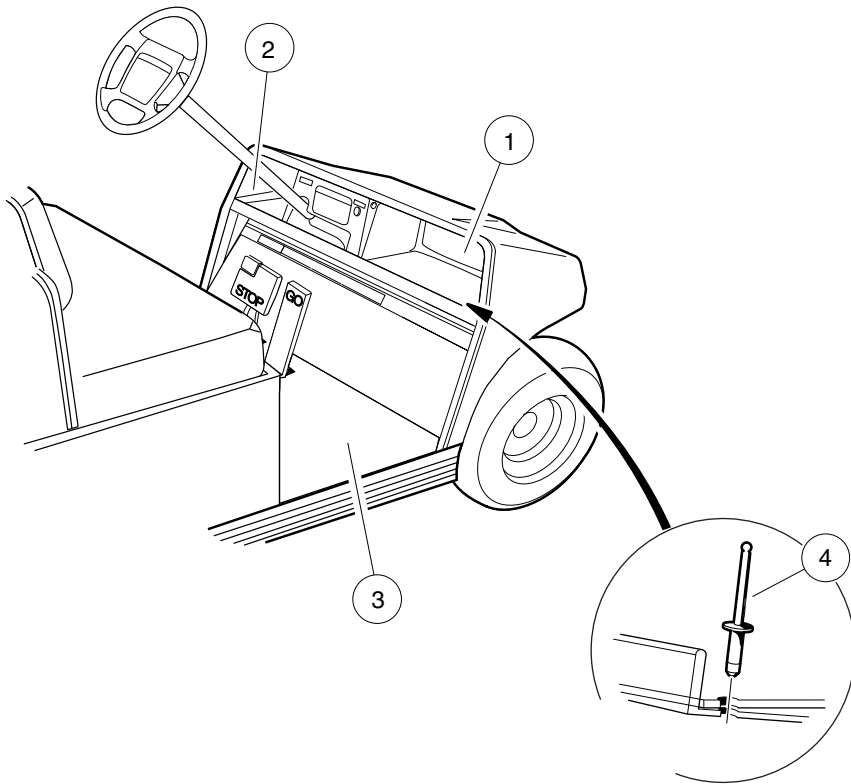


000249-002

FRONT BODY AND TRIM – CARRYALL 1

| ITEM | PART NO. | DESCRIPTION | QTY | |
|------|-----------|---|-----|----------|
| | | 1 2 3 4 | | 1 |
| 1 | 1010435 | Bolt, Carriage, 5/16-18 X 1.00 | 2 | G |
| 2 | 1011014 | Trim, Cowl | 1 | E |
| 3 | 1011017 | Screw, #8-32 X 0.375 | 6 | |
| 4 | 1011394 | T-Nut Package (Set of 4) | 1 | |
| 5 | 1015075 | Washer, 5/16 Flat Type A | 2 | |
| 6 | 101692501 | Cowl, TPO, Beige | 1 | |
| 7 | 101692502 | Cowl, TPO, White | 1 | |
| 8 | 101692504 | Cowl, Tpo -gray | 1 | |
| 9 | 101692506 | Cowl, TPO, Red | 1 | |
| 10 | 101692509 | Cowl, TPO, Pacific Blue (Royal Blue) | 1 | |
| 11 | 101692510 | Cowl, TPO, Dark Green | 1 | |
| 12 | 101692511 | Cowl, TPO, Black | 1 | |
| 13 | 101692512 | Cowl, TPO, Classic Blue (Navy) | 1 | |
| 14 | 101692513 | Cowl, TPO, Burgundy | 1 | |
| 15 | 101692514 | Cowl, TPO, Dark Gray | 1 | |
| 16 | 101692515 | Cowl, TPO, Safety Yellow | 1 | |
| 17 | 101693901 | Cowl with Headlight Opening, TPO, Beige | 1 | |
| 18 | 101693902 | Cowl with Headlight Opening, TPO, White | 1 | |
| 19 | 101693904 | Cowl with Headlight Opening, TPO, Gray | 1 | |
| 20 | 101693906 | Cowl with Headlight Opening, TPO, Red | 1 | |
| 21 | 101693908 | Cowl with Headlight Opening, TPO, Pacific Blue (Royal Blue) | 1 | |
| 22 | 101693909 | Cowl with Headlight Opening, TPO, Dark Green | 1 | |
| 23 | 101693910 | Cowl with Headlight Opening, TPO, Black | 1 | |
| 24 | 101693911 | Cowl with Headlight Opening, TPO, Classic Blue (Navy) | 1 | |
| 25 | 101693912 | Cowl with Headlight Opening, TPO, Burgundy | 1 | |
| 26 | 101693913 | Cowl with Headlight Opening, TPO, Dark Gray | 1 | |
| 27 | 101693914 | Cowl with Headlight Opening, TPO, Safety Yellow | 1 | |
| 28 | 1017080 | Kit, Front Bumper (includes items 29 through 32) | 1 | |
| 29 | 1016868 | Front Bumper | 1 | |
| 30 | 1016967 | Blind Rivet, Push Type | 2 | |
| 31 | 7251 | Screw, 5/16-18 x 1.0 Truss-Head | 2 | |
| 32 | 7473 | Locknut, 5/16-18 Nylon Insert | 2 | |
| 33 | 1241 | Washer, 5/16 Type A Flat | 2 | |
| 34 | 7251 | Screw, 5/16-18 x 1.0 Truss-Head | 2 | |
| 35 | 7473 | Locknut, 5/16-18 Nylon Insert | 2 | |

1
G
E



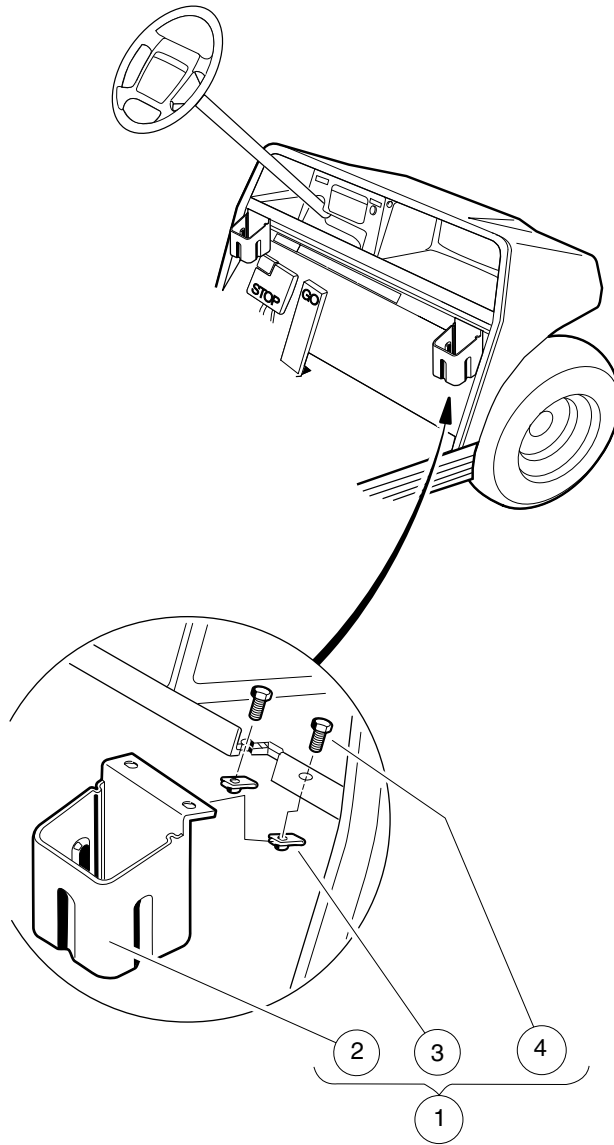
000252-002

DASH POCKETS AND FLOORMAT

| ITEM | PART NO. | DESCRIPTION | QTY |
|------|-----------|---|-----|
| | | 1 2 3 4 | |
| 1 | 1013343 | Dash Component, Passenger-Side, Black | 1 |
| 2 | 1013344 | Dash Component, Driver-Side | 1 |
| 3 | 101503202 | Floormat | 1 |
| 4 | 7973 | Rivet, 3/16 X .400 Blind | 5 |

1
G
E

1
G
E



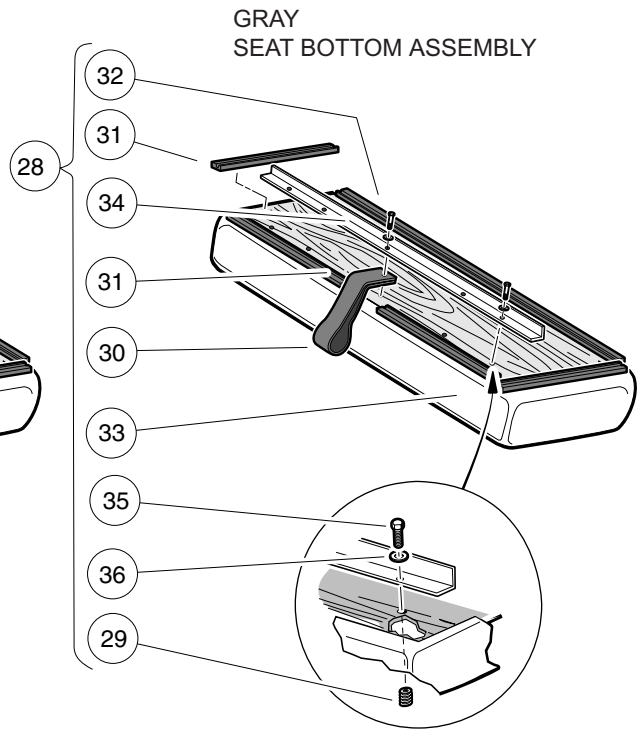
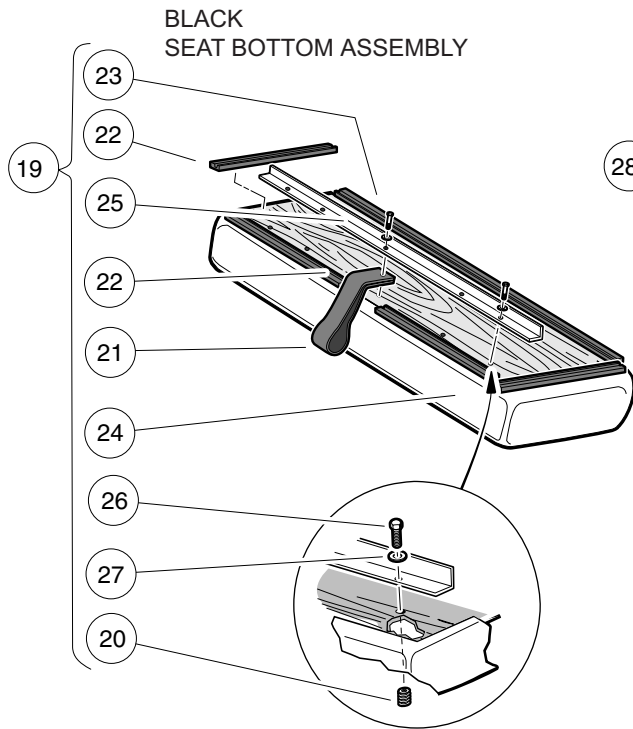
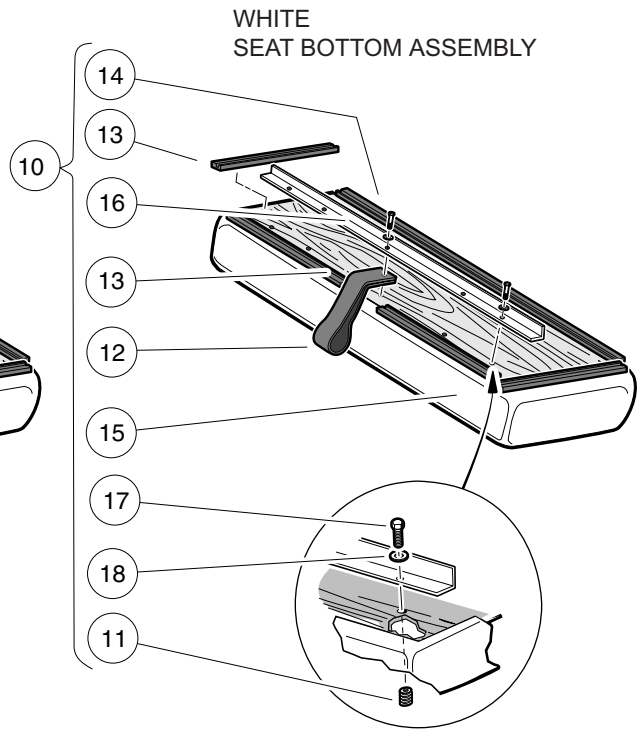
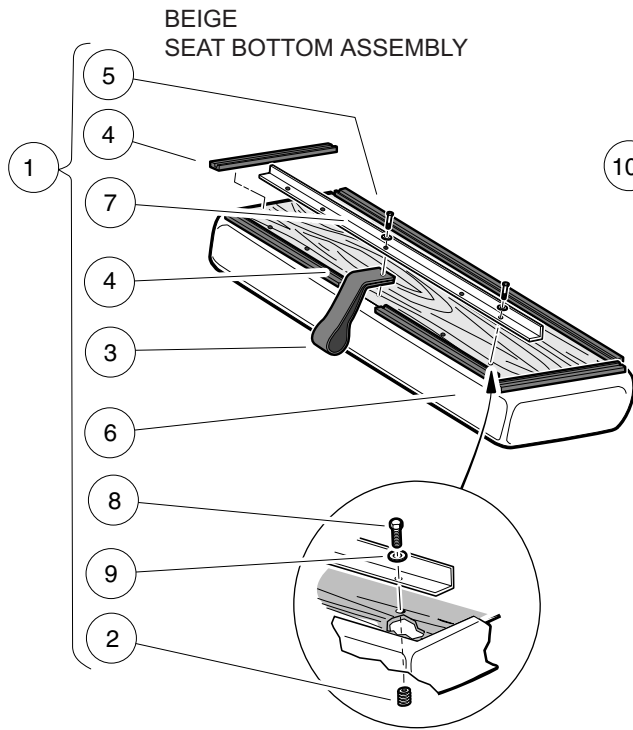
000253-001

BEVERAGE HOLDER

| ITEM | PART NO. | DESCRIPTION | QTY |
|------|----------|---|-----|
| | | 1 2 3 4 | |
| 1 | 1013422 | Cup Holder Kit (includes items 2 through 4) | 2 |
| 2 | 1013420 | Holder, Single Cup | 1 |
| 3 | 1016952 | U-Nut, 1/4-20 | 2 |
| 4 | 7847 | Screw, 1/4-20 X 0.75 Hex-Head Cap | 2 |

1
G
E

1
G
E



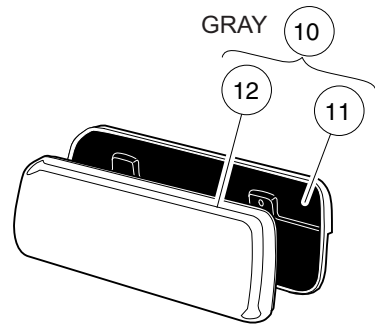
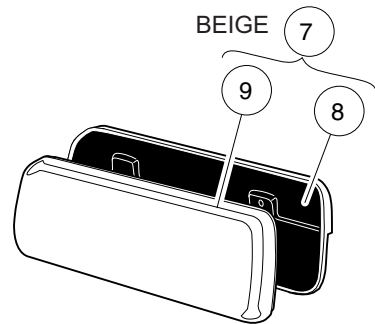
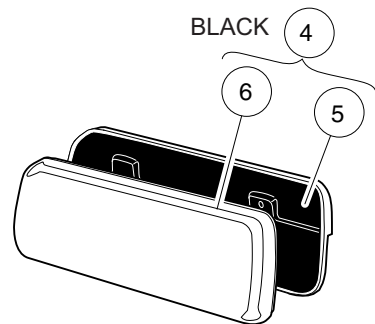
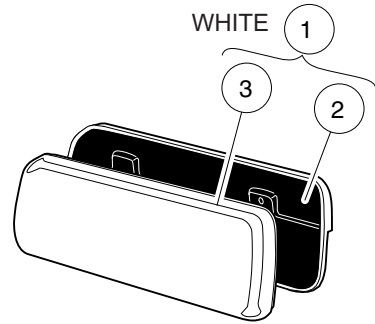
000254-001

SEAT BOTTOM

| ITEM | PART NO. | DESCRIPTION | QTY |
|------|-----------|--|-----|
| | | 1 2 3 4 | |
| 1 | 101564501 | Seat Bottom Assembly, Beige (includes items 2 through 9) | 1 |
| 2 | 1010543 | Insert - Wood | 5 |
| 3 | 1013309 | Strap, Utility Seat | 1 |
| 4 | 1013311 | Bumper, Seat, Short | 4 |
| 5 | 1013312 | Bumper, Seat, Long | 1 |
| 6 | 101562711 | Vinyl Cover, Seat Bottom, Buff | 1 |
| 7 | 101894303 | Stiffener | 1 |
| 8 | 101954301 | Screw, 1/4-20 X 0.75 Hex-Head Cap | 5 |
| 9 | 332 | Washer, 1/4 Type A Narrow Flat | 5 |
| 10 | 101564502 | Seat Bottom Assembly, White (includes items 11 through 18) | 1 |
| 11 | 1010543 | Insert - Wood | 5 |
| 12 | 1013309 | Strap, Utility Seat | 1 |
| 13 | 1013311 | Bumper, Seat, Short | 4 |
| 14 | 1013312 | Bumper, Seat, Long | 1 |
| 15 | 101562712 | Vinyl Cover, Seat Bottom, White | 1 |
| 16 | 101894303 | Stiffener | 1 |
| 17 | 101954301 | Screw, 1/4-20 X 0.75 Hex-Head Cap | 5 |
| 18 | 332 | Washer, 1/4 Type A Narrow Flat | 5 |
| 19 | 101564503 | Seat Bottom Assembly, Black (includes items 20 through 27) | 1 |
| 20 | 1010543 | Insert - Wood | 5 |
| 21 | 1013309 | Strap, Utility Seat | 1 |
| 22 | 1013311 | Bumper, Seat, Short | 4 |
| 23 | 1013312 | Bumper, Seat, Long | 1 |
| 24 | 101562714 | Vinyl Cover, Seat Bottom, Black | 1 |
| 25 | 101894303 | Stiffener | 1 |
| 26 | 101954301 | Screw, 1/4-20 X 0.75 Hex-Head Cap | 5 |
| 27 | 332 | Washer, 1/4 Type A Narrow Flat | 5 |
| 28 | 101564505 | Seat Bottom Assembly, Gray (includes items 29 through 36) | 1 |
| 29 | 1010543 | Insert - Wood | 5 |
| 30 | 1013309 | Strap, Utility Seat | 1 |
| 31 | 1013311 | Bumper, Seat, Short | 4 |
| 32 | 1013312 | Bumper, Seat, Long | 1 |
| 33 | 101562715 | Vinyl Cover, Seat Bottom, Gray | 2 |
| 34 | 101894303 | Stiffener | 1 |
| 35 | 101954301 | Screw, 1/4-20 X 0.75 Hex-Head Cap | 5 |
| 36 | 332 | Washer, 1/4 Type A Narrow Flat | 5 |

1
G
E

1
G
E



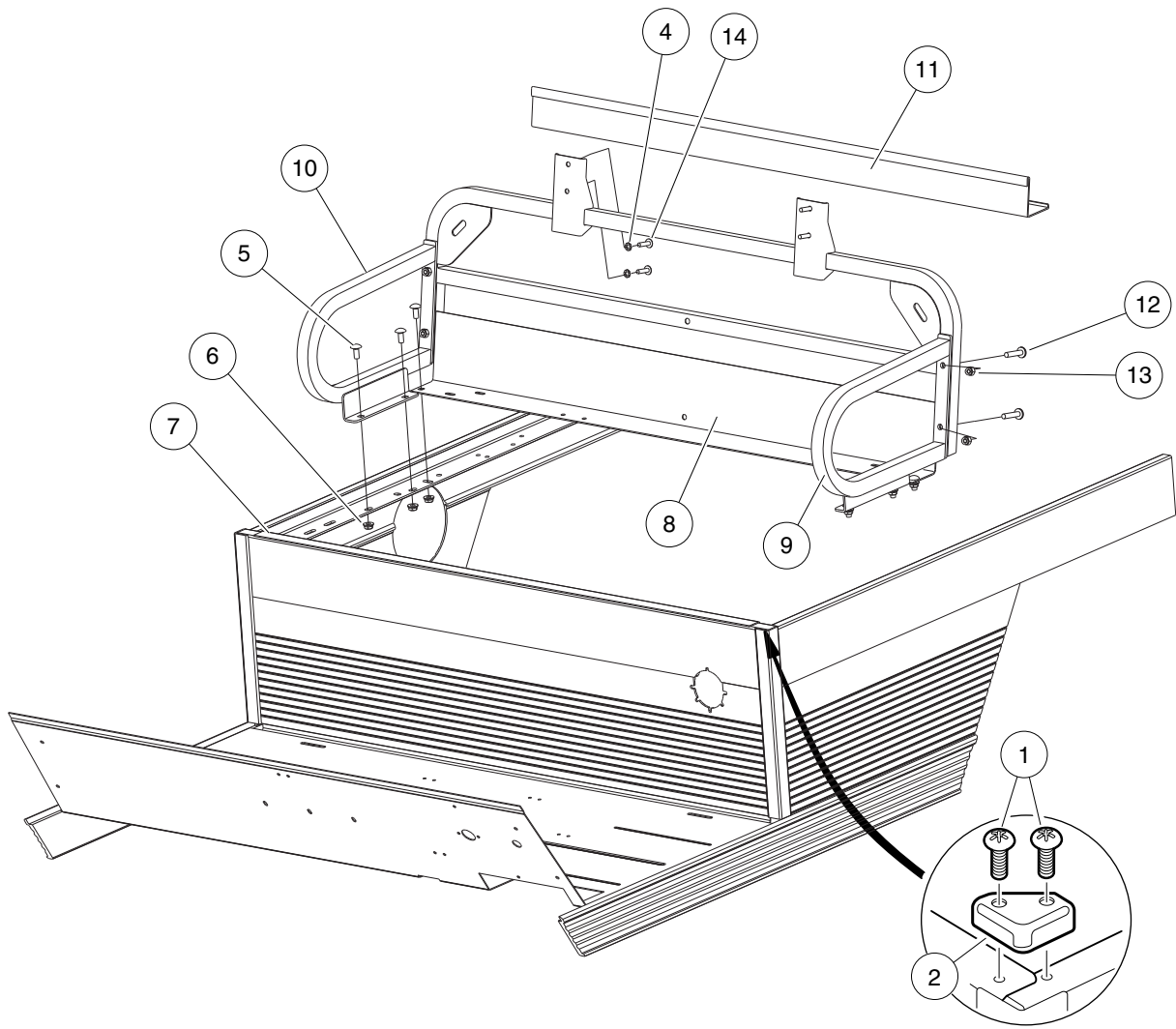
000608-001

SEAT BACK ASSEMBLY

| ITEM | PART NO. | DESCRIPTION | QTY |
|------|-----------|---|-----|
| | | 1 2 3 4 | |
| 1 | 101677701 | Seat Back Assembly, White (includes items 2 and 3) | 1 |
| 2 | 1016751 | Cap, Seat Back | 1 |
| 3 | 101675512 | Vinyl Seat Back, White | 1 |
| 4 | 101677702 | Seat Back Assembly, Black (includes items 5 and 6) | 1 |
| 5 | 1016751 | Cap, Seat Back | 1 |
| 6 | 101675514 | Vinyl Seat Back, Black | 1 |
| 7 | 101677703 | Seat Back Assembly, Beige (includes items 8 and 9) | 1 |
| 8 | 1016751 | Cap, Seat Back | 1 |
| 9 | 101675511 | Vinyl Seat Back, Beige | 1 |
| 10 | 101677705 | Seat Back Assembly, Gray (includes items 11 and 12) | 1 |
| 11 | 1016751 | Cap, Seat Back | 1 |
| 12 | 101675515 | Vinyl Seat Back-nstd Svc | 1 |

1
G
E

1
G
E



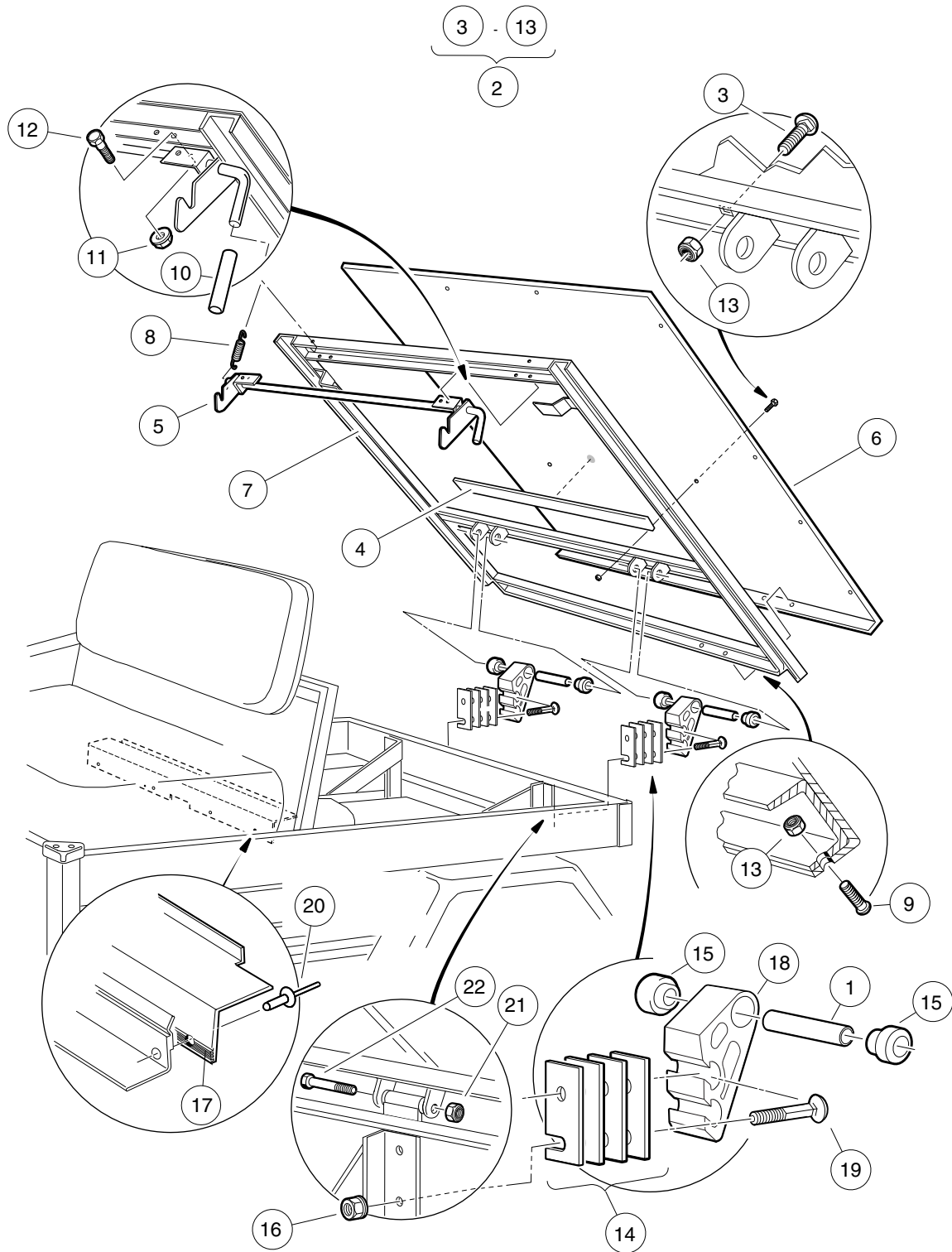
000603-001

HIP RESTRAINTS AND SEAT BACK MOUNTING

| ITEM | PART NO. | DESCRIPTION | QTY |
|------|-----------|--|-----|
| | | 1 2 3 4 | |
| 1 | 1014321 | Screw, #10 Truss-Head Torx | 4 |
| 2 | 1014387 | Cap, Corner | 2 |
| 3 | N/A | Instl, Seat Bk, Hip Restr, Ca1 (includes items 4 through 14) | 1 |
| 4 | 101946201 | Washer, Lock, 0.250 External-Tooth | 4 |
| 5 | 101963301 | Bolt, 5/16-18 X 0.75 Round-Head | 6 |
| 6 | 101963401 | Locknut, 5/16-18 Hex Flange | 6 |
| 7 | 101964001 | Trim, Seat Bottom Front | 1 |
| 8 | 102966401 | Seat Back, Tube | 1 |
| 9 | 102966501 | Hip Restraint, Left | 1 |
| 10 | 102966502 | Hip Restraint, Right | 1 |
| 11 | 102989501 | Seal, Bed, 41-Inch | 1 |
| 12 | 103245201 | Screw, 5/16-18 X 1.5, Tr Tx Hd | 4 |
| 13 | 103245301 | Nut, Hex, Cp, Mech Def, 5/16-1 | 4 |
| 14 | 8251 | Screw, 1/4-20 X 1.0 Truss-Head Machine | 4 |

1
G
E

1
G
E



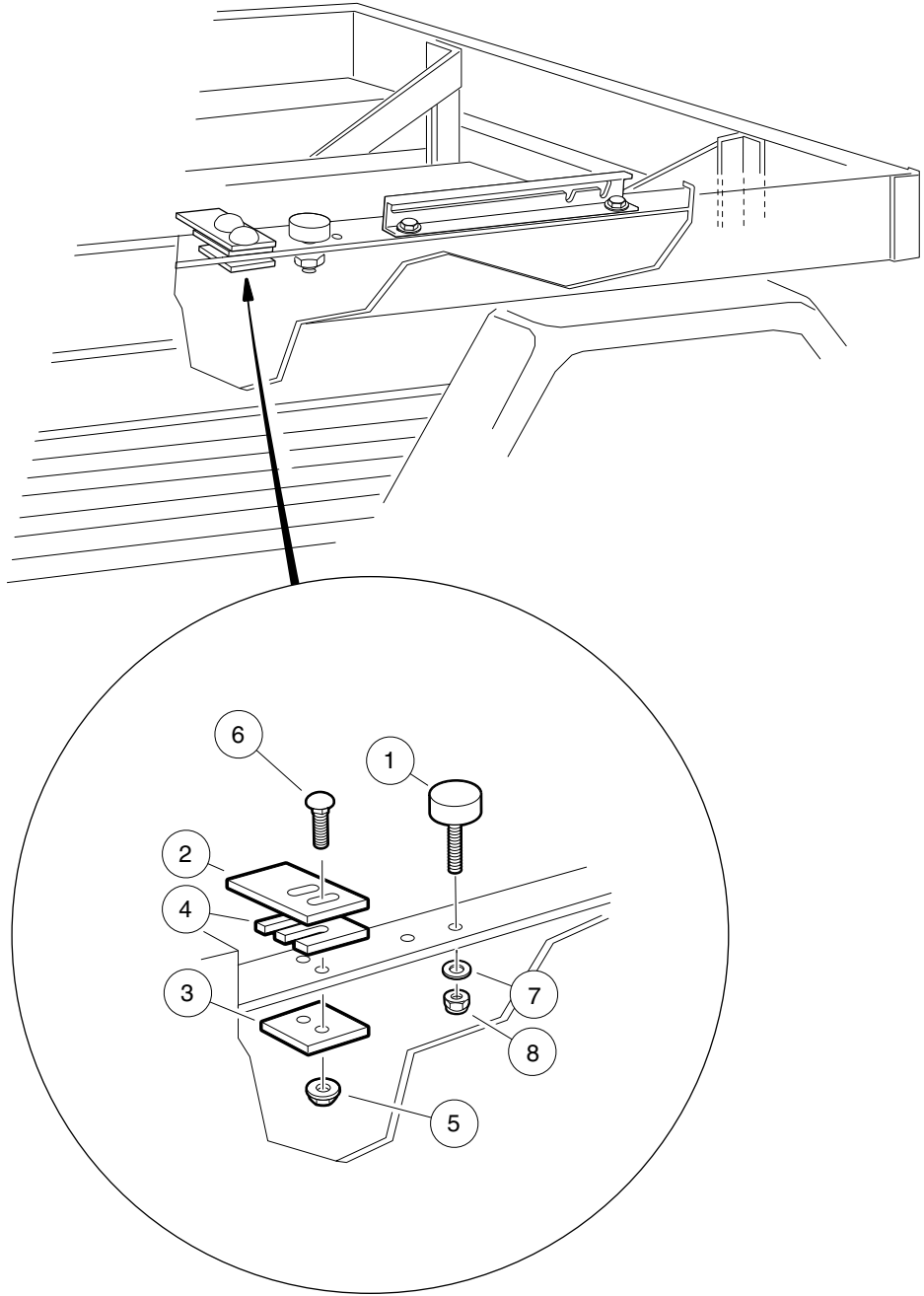
000256-003

TILT BED, HINGE, AND LATCH – TURF/CARRYALL 1

| ITEM | PART NO. | DESCRIPTION | QTY |
|------|-----------|--|-----|
| | | 1 2 3 4 | |
| 1 | 1012303 | Bushing, Steel | 2 |
| 2 | 1015427 | Tilt Bed, Carryall 1 (includes items 3 through 13) | 1 |
| 3 | 1010435 | Bolt, Carriage, 5/16-18 X 1.00 | 2 |
| 4 | 1014471 | Tape, Vinyl Foam 1/8" x 3/4" * | 1 |
| 5 | 1015252 | Latch Weld Assembly | 1 |
| 6 | N/A | Plate, Floor, Carryall 1 Flat bed | 1 |
| 7 | N/A | Frame Assembly, Tilt Bed | 1 |
| 8 | N/A | Extension, Spring Latch | 2 |
| 9 | 1015399 | Screw, 5/16-18 X 0.88 Torx Truss-Head | 4 |
| 10 | 1015400 | Grip, Tilt Latch Hand | 1 |
| 11 | 101835601 | Locknut, 1/4-20 Hex Whiz | 4 |
| 12 | 403 | Screw, 1/4-20 X 0.625 Hex-Head Cap | 4 |
| 13 | 7473 | Locknut, 5/16-18 Nylon Insert | 6 |
| 14 | 1015507 | Shim, Tilt Bed Pivot | 1 |
| 15 | 1015583 | Bushing, Urethane | 4 |
| 16 | 102065901 | Locknut, 3/8-16 Flanged Dimple | 4 |
| 17 | 102989501 | Seal, Bed, 41-Inch | 1 |
| 18 | 103538701 | Extra, Bracket, Hinge, Bed | 2 |
| 19 | 103538901 | 3/8-16 X 3.5 Carr Blt Gr5 Zn | 4 |
| 20 | 7532 | Rivet, 3/16 X 0.3125, Pop | 4 |
| 21 | 8754 | Locknut, 3/8-16 Hex | 2 |
| 22 | 8755 | Screw, 3/8-16 X 3.375 Hex Cap | 2 |
| | | * Note: Item not shown. | |

1
G
E

1
G
E



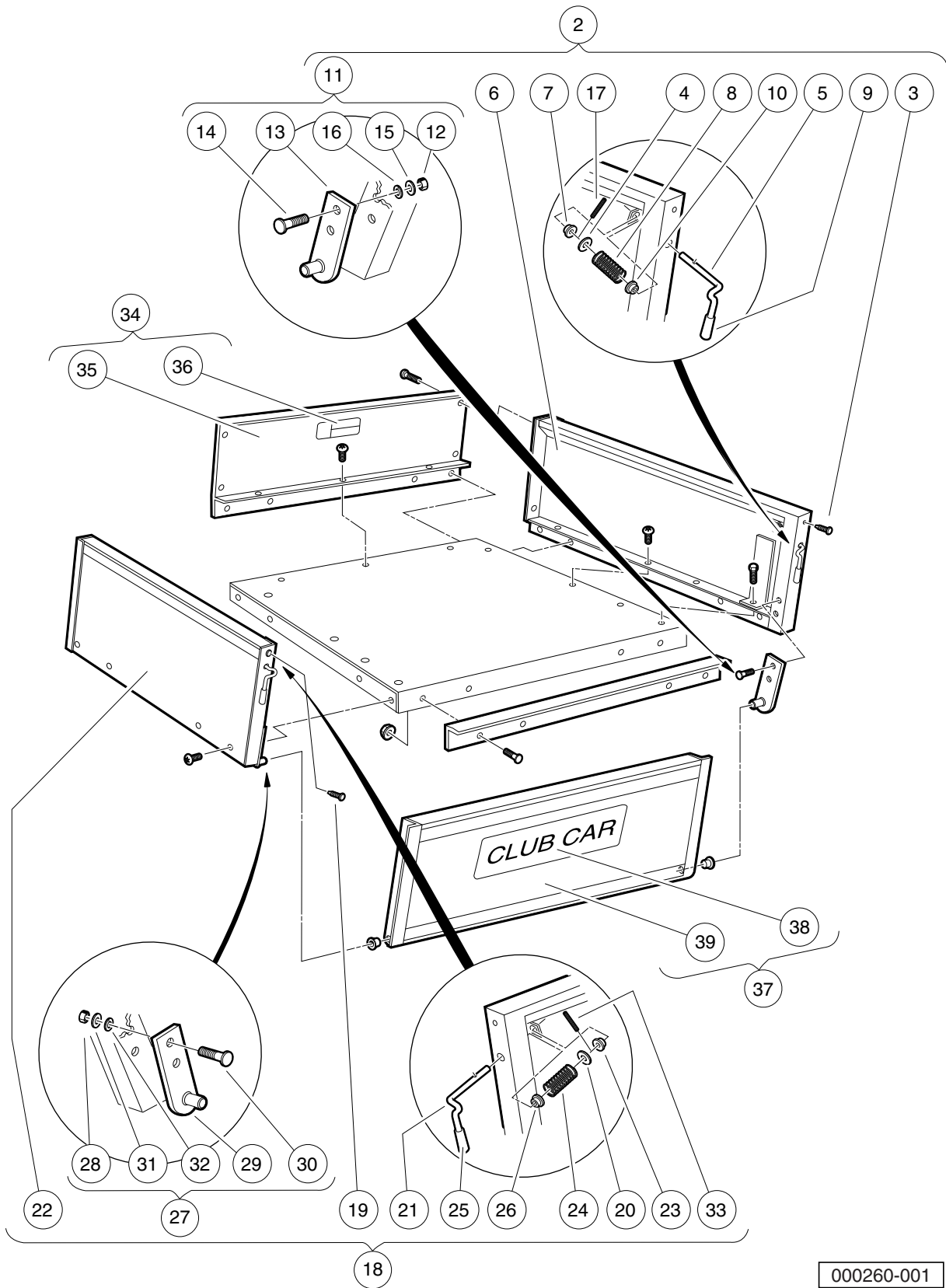
000258-002

LATCH PLATE

| ITEM | PART NO. | DESCRIPTION | QTY |
|------|-----------|--------------------------------------|-----|
| | | 1 2 3 4 | |
| 1 | 1010878 | Bumper, Rubber | 2 |
| 2 | 1015277 | Latch Plate, Tilt Bed | 2 |
| 3 | 1016060 | Plate, Latch Support | 2 |
| 4 | 1016078 | Latch Plate Shim | 1 |
| 5 | 101835601 | Locknut, 1/4-20 Hex Whiz | 4 |
| 6 | 101958601 | Carriage Bolt, 1/4-20 X 0.75 | 4 |
| 7 | 332 | Washer, 1/4 Type A Narrow Flat | 4 |
| 8 | 8233 | Locknut, 1/4-20 Nylon Insert | 4 |

1
G
E

1
G
E



000260-001

CARGO BOX

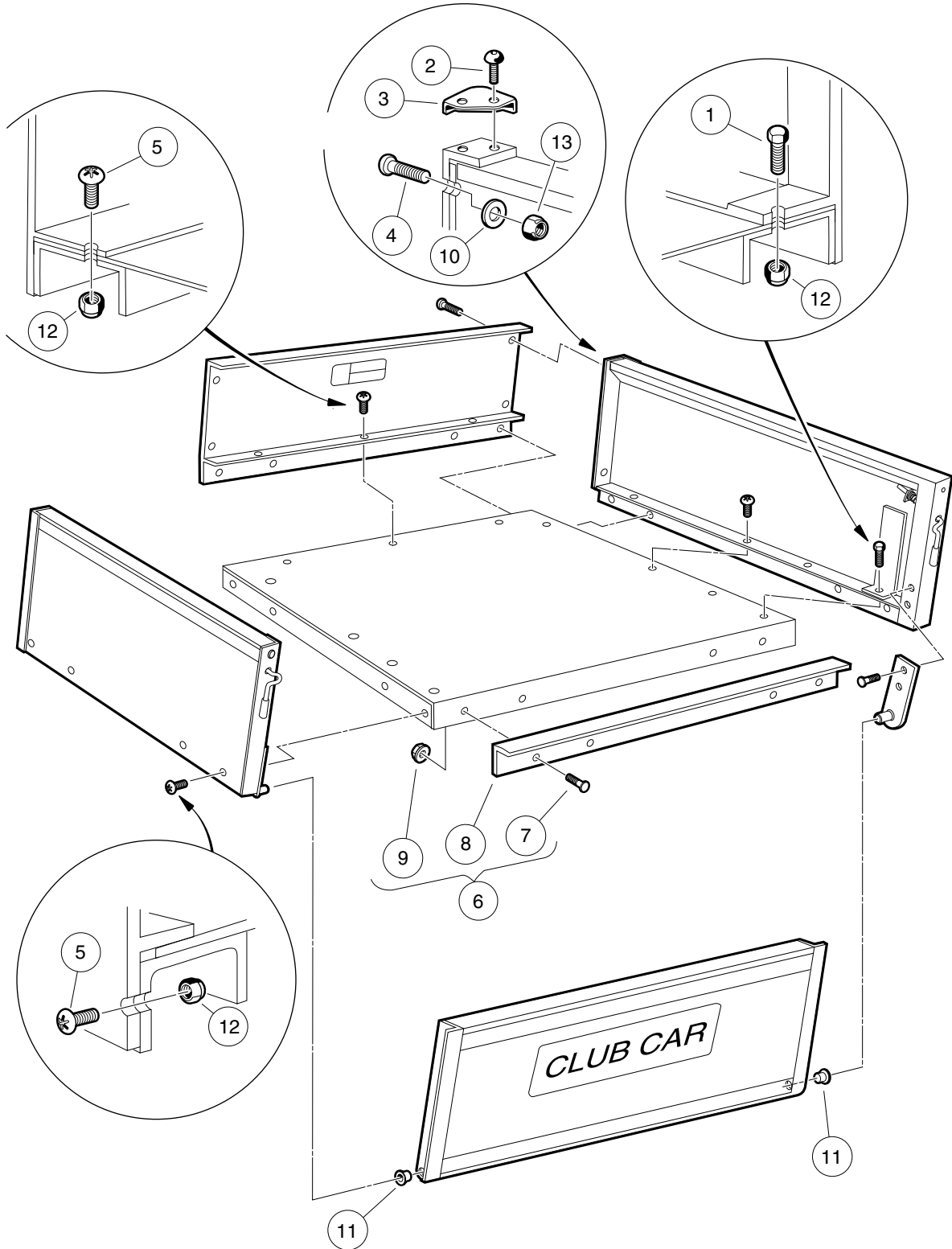
| ITEM | PART NO. | DESCRIPTION | QTY |
|---|-----------|---|-----|
| | | 1 2 3 4 | |
| 1 | 1015606 | Kit, Cargo Box (includes items 2 through 37) | 1 |
| 2 | 1015365 | Side Panel Assembly, Right-Hand (includes items 3 through 17) | 1 |
| 3 | 1010434 | Barrel - Plastic | 1 |
| 4 | 1011990 | Washer, 3/8 Flat | 1 |
| 5 | 1015245 | Latch, Tailgate, Right-Hand | 1 |
| 6 | N/A | Side-Panel Weldment, Right-Hand | 1 |
| 7 | 1015363 | Bushing, Snap-In | 1 |
| 8 | 1015390 | Compression Spring Latch Tilt | 1 |
| 9 | 1015400 | Grip, Tilt Latch Hand | 1 |
| 10 | 1032 | Bushing, Nylon | 1 |
| 11 | 103406502 | Kit, Tlgt Mtg Brkt, Ca Rh (includes items 12 through 16) | 1 |
| 12 | 1028 | Nut, 1/4-20 Hex | 2 |
| 13 | N/A | Asm, Tlgt, Mtg Brkt, Ca Rh | 1 |
| 14 | 103406601 | Stud, 1/4 Self-clnchg Flush | 2 |
| 15 | 332 | Washer, 1/4 Type A Narrow Flat | 2 |
| 16 | 451 | Lockwasher, 1/4 Split | 2 |
| 17 | 1231 | Pin, 1/8 X 1.00 Split Roll | 1 |
| 18 | 1015367 | Side Panel Assembly, Left-Hand (includes items 19 through 33) | 1 |
| 19 | 1010434 | Barrel - Plastic | 1 |
| 20 | 1011990 | Washer, 3/8 Flat | 1 |
| 21 | 1015313 | Latch, Tailgate, Left-Hand | 1 |
| 22 | N/A | Side-Panel Weldment | 1 |
| 23 | 1015363 | Bushing, Snap-In | 1 |
| 24 | 1015390 | Compression Spring Latch Tilt | 1 |
| 25 | 1015400 | Grip, Tilt Latch Hand | 1 |
| 26 | 1032 | Bushing, Nylon | 1 |
| 27 | 103406501 | Kit, Tlgt Mtg Brkt, Ca Lh (includes items 28 through 32) | 1 |
| 28 | 1028 | Nut, 1/4-20 Hex | 2 |
| 29 | N/A | Asm, Tlgt, Mtg Brkt, Ca Lh | 1 |
| 30 | 103406601 | Stud, 1/4 Self-clnchg Flush | 2 |
| 31 | 332 | Washer, 1/4 Type A Narrow Flat | 2 |
| 32 | 451 | Lockwasher, 1/4 Split | 2 |
| 33 | 1231 | Pin, 1/8 X 1.00 Split Roll | 1 |
| 34 | 1015413 | Assembly, Front Panel (includes items 35 and 36) | 1 |
| 35 | N/A | Front Panel Box | 1 |
| 36 | 101553901 | Decal, Bed Load Warning | 1 |
| 37 | 1015414 | Assembly, Tailgate (includes items 38 and 39) | 1 |
| 38 | 1013317 | Decal, Logo, Tailgate | 1 |
| 39 | N/A | Tailgate Weldment | 1 |
| <p>Note: Additional components in kit 1015606 are shown on the following two pages.</p> | | | |

1

G

E

1
G
E



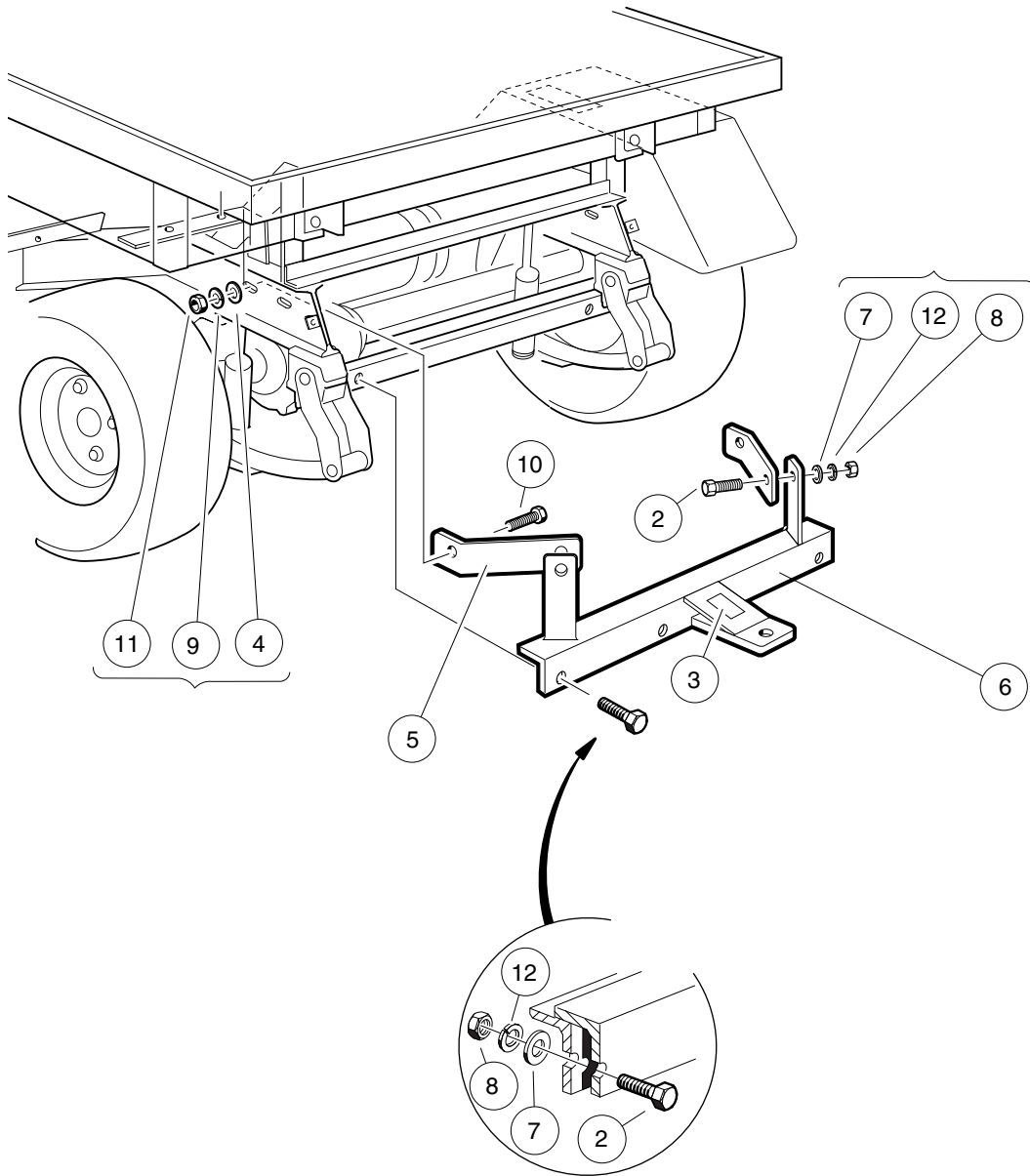
000261-001

CARGO BOX MOUNTING

| ITEM | PART NO. | DESCRIPTION | QTY |
|--|-----------|--|-----|
| | | 1 2 3 4 | |
| 1 | 1010934 | Screw, 5/16-18 X 1.00 Hex Cap | 2 |
| 2 | 1014321 | Screw, #10 Truss-Head Torx | 4 |
| 3 | 1014387 | Cap, Corner | 2 |
| 4 | 1014415 | Screw, 1/4-20 X 0.75 Torx Truss-Head | 4 |
| 5 | 1015399 | Screw, 5/16-18 X 0.88 Torx Truss-Head | 17 |
| 6 | **** | Kit, Tailgate Angle (includes items 7 through 9) | 1 |
| 7 | 1014537 | Stud, Self-Clinching Flush Head | 4 |
| 8 | N/A | Box Bed Tailgate Angle | 1 |
| 9 | 101963401 | Locknut, 5/16-18 Hex Flange | 4 |
| 10 | 332 | Washer, 1/4 Type A Narrow Flat | 4 |
| 11 | 7049 | Bushing, Nylon | 2 |
| 12 | 7473 | Locknut, 5/16-18 Nylon Insert | 19 |
| 13 | 8233 | Locknut, 1/4-20 Nylon Insert | 4 |
| <p style="text-align: center;">**** Special order item available upon request.</p> <p style="text-align: center;">Note: All parts listed on this page are included in kit 1015606.</p> | | | |

1
G
E

1
G
E



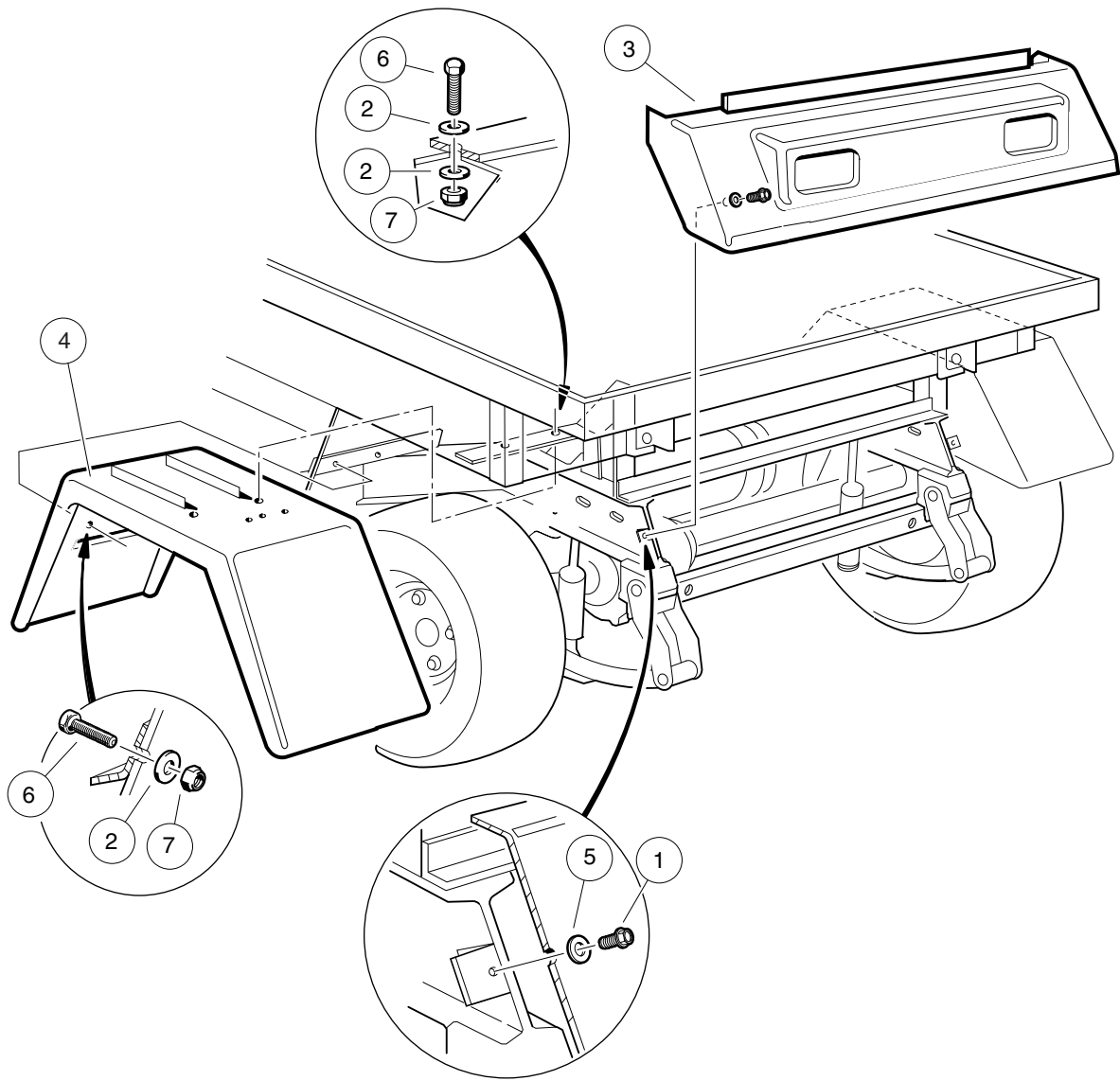
000265-001

TRAILER HITCH

| ITEM | PART NO. | DESCRIPTION | QTY |
|------|----------|--|-----|
| | | 1 2 3 4 | |
| 1 | 1015445 | Kit, Trailer Hitch (includes items 2 through 12) | 1 |
| 2 | 1010934 | Screw, 5/16-18 X 1.00 Hex Cap | 4 |
| 3 | 1011553 | Decal, Trailer Hitch | 1 |
| 4 | 1011990 | Washer, 3/8 Flat | 2 |
| 5 | 1013483 | Brace, Trailer Hitch | 2 |
| 6 | N/A | Asm, Trailer Hitch | 1 |
| 7 | 1241 | Washer, 5/16 Type A Flat | 4 |
| 8 | 1242 | Nut, 5/16-18 Hex | 4 |
| 9 | 357 | Lockwasher, 3/8 Split | 2 |
| 10 | 705 | Screw, Cap-hex Hd 3/8-16x1.25 | 2 |
| 11 | 706 | Nut, Hex 3/8-16 | 2 |
| 12 | 7174 | Lockwasher, 5/16 Split | 4 |

1
G
E

1
G
E



000266-001

REAR BODY TRIM

| ITEM | PART NO. | DESCRIPTION | QTY |
|------|----------|---|-----|
| | | 1 2 3 4 | |
| 1 | 1012285 | Screw, 1/4 X 0.625 Hex-Head | 2 |
| 2 | 1014306 | Washer, 1/4" Type B Flat | 12 |
| 3 | 1015530 | Tailskirt | 1 |
| 4 | 1016679 | Rear Fender | 2 |
| 5 | 332 | Washer, 1/4 Type A Narrow Flat | 2 |
| 6 | 7847 | Screw, 1/4-20 X 0.75 Hex-Head Cap | 8 |
| 7 | 8233 | Locknut, 1/4-20 Nylon Insert | 8 |

1
G
E

1

G

E

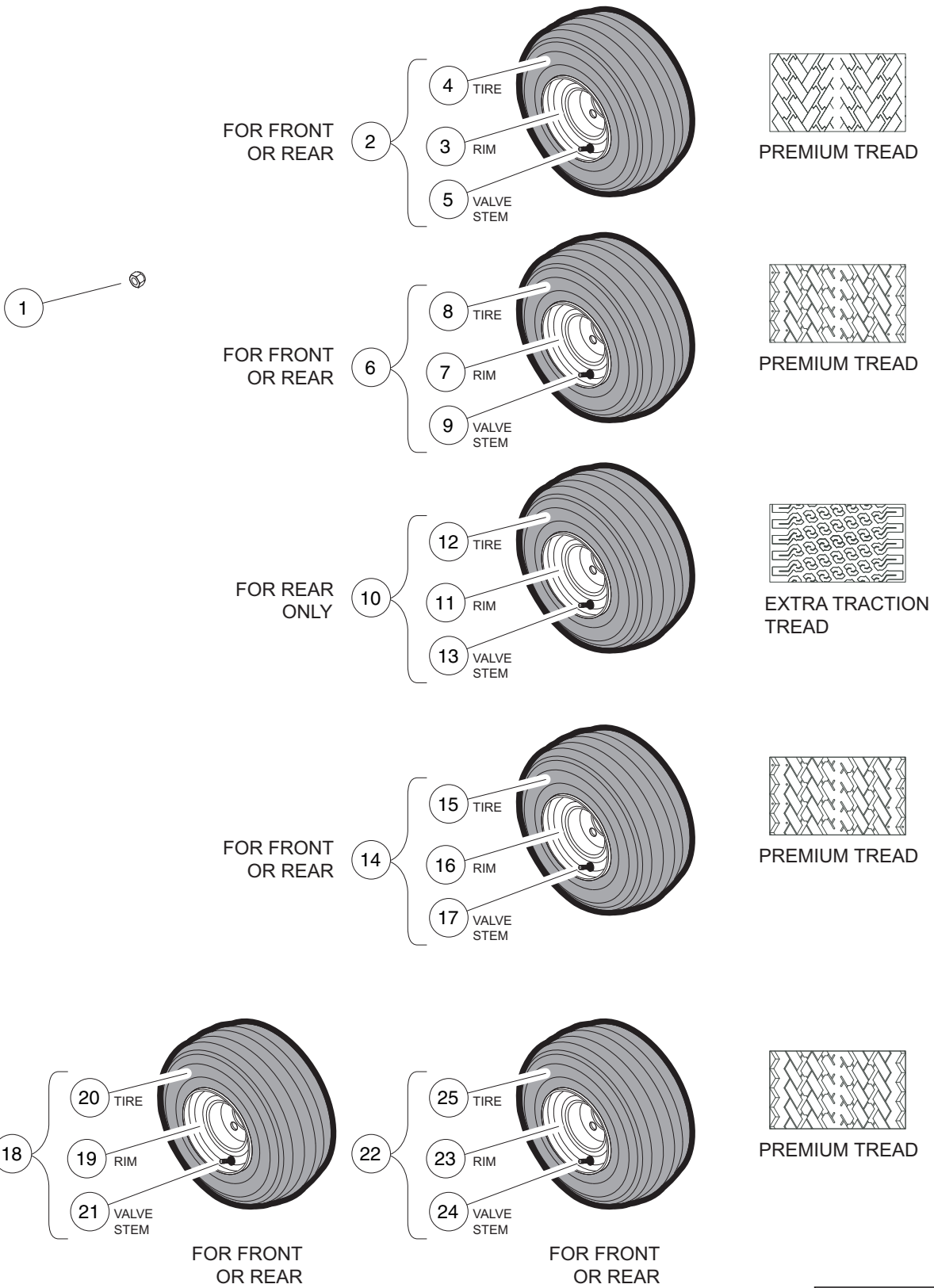
WHEELS AND TIRES

2

G

E

2
G
E



000269-001

WHEELS AND TIRES

| ITEM | PART NO. | DESCRIPTION | QTY |
|------|-----------|---|-----|
| | | 1 2 3 4 | |
| 1 | 1010984 | .500-20 Unf Lug Nut | 16 |
| 2 | 101651402 | Tire/Wheel Asm, White, Premium Tread (includes items 3 through 5) | 4 |
| 3 | 1014771 | Wheel Rim, White | 1 |
| 4 | 101567202 | Tire, Unmounted, Links 18 x 8.50-8 | 1 |
| 5 | 7310 | Valve Stem | 1 |
| 6 | 101651406 | Tire/Wheel Asm, White, Premium Tread, 6-Ply (includes items 7 through 9) | 4 |
| 7 | 1014771 | Wheel Rim, White | 1 |
| 8 | 101737002 | Tire, Unmounted | 1 |
| 9 | 7310 | Valve Stem | 1 |
| 10 | 101651407 | Tire/Wheel Asm, White, Extra-Traction, 6-Ply (includes items 11 through 13) | 2 |
| 11 | 1014771 | Wheel Rim, White | 1 |
| 12 | N/A | Tire, Unmounted Xtrac 18 x 8.50-8 | 1 |
| 13 | 7310 | Valve Stem | 1 |
| 14 | 101651409 | Tire/Wheel Asm, White, Premium Tread, 6.5-inch (includes items 15 through 17) | 4 |
| 15 | 101884901 | Tire, Unmounted, Power Rib 18 x 6.50-8 | 1 |
| 16 | 101918401 | Wheel Rim, Beige | 1 |
| 17 | 7310 | Valve Stem | 1 |
| 18 | 101651412 | Tire/Wheel Asm, White, Duro Premium Tread (includes items 19 through 21) | 4 |
| 19 | 1014771 | Wheel Rim, White | 1 |
| 20 | 102569304 | Duro 18 X 8.5 X 8, 4-Ply | 1 |
| 21 | 7310 | Valve Stem | 1 |
| 22 | 101651413 | Tire/Wheel Asm, White, Kenda Premium Tread (includes items 23 through 25) | 4 |
| 23 | 1014771 | Wheel Rim, White | 1 |
| 24 | 7310 | Valve Stem | 1 |
| 25 | AM10682 | Unmounted Prem Tire 18x8.50x8 | 1 |

2
G
E

2

G

E

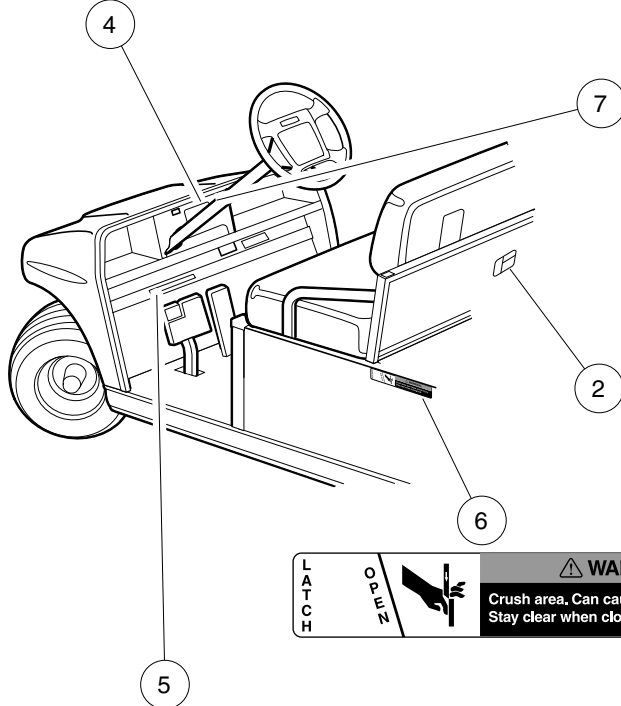
DECALS

3

G

E

OFF | ON



⚠ WARNING

ROLLOVER OR FALLING OFF MAY CAUSE DEATH.

- Before using vehicle, read operating instructions.
- Remain seated and hold on to seat handle while moving.
- Do not start vehicle until all occupants are seated.
- Two (2) persons per seat maximum.
- Operate from driver side only and not on public roads.
- Keep entire body inside vehicle while moving.
- Drive slowly in turns and straight up and down slopes.
- Do not leave children unattended on vehicle.
- Never operate under the influence of alcohol or drugs.
- Use brakes to reduce speed when coasting downhill.
- Never stand in front of or behind vehicle.

CCI 103205401

⚠ WARNING

Riding in cargo bed can cause severe injury or death. Do not ride in cargo bed.

CCI 1015339-01

LATCH / **OPEN**

⚠ WARNING

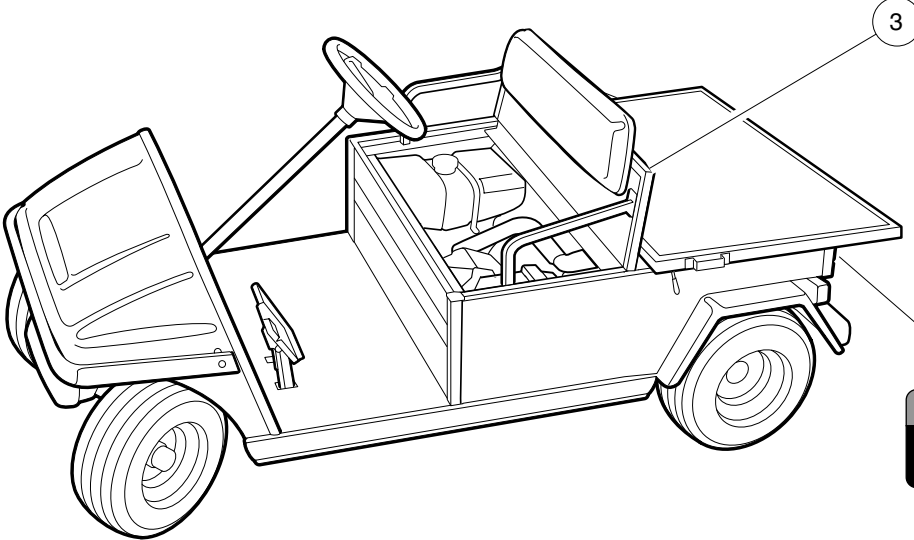
Crush area. Can cause severe injury. Stay clear when closing bed.

VEHICLE LOADING

Read owner's manual and warnings on dash.

- Vehicle rated capacity - 800 lb on level surface only. Weight to include passengers, cargo bed load, and gross trailer weight. See owner's manual.
- Maximum cargo load - 300 lb. Weight to include cargo bed load and gross trailer weight.
- Maximum trailer hitch tongue weight - 150 lbs.

- Cargo should be evenly spread over the floor of the cargo bed as far forward as possible and secured.
 - For vehicle stability, when fully loaded, drive slowly and avoid stopping on or backing down steep hills.
 - Avoid top heavy loads. See owner's manual.
 - When driving on uneven terrain or down steep hills, reduce speed and load.
- CCI 101960101



⚠ WARNING

CRUSH AREA

STAY CLEAR

CCI 1016094-01

NOTICE

MAXIMUM TONGUE WEIGHT - 150 lb. (667 N)

CCI 1011553

000270-002

DECALS

| ITEM | PART NO. | DESCRIPTION | QTY |
|------|-----------|-------------------------------------|-----|
| | | 1 2 3 4 | |
| 1 | 1011553 | Decal, Trailer Hitch | 1 |
| 2 | 101553901 | Decal, Bed Load Warning | 1 |
| 3 | 101609401 | Decal, Crush Area Warning | 2 |
| 4 | 101825101 | Decal, Off/On | 1 |
| 5 | 101960101 | Decal, Vehicle Loading | 1 |
| 6 | 102459301 | Decal, Bed Crush Area Warning | 1 |
| 7 | 103205401 | Decal, Warning, Rollover, Utl | 1 |

3
G
E

OPERATING INSTRUCTIONS

- Read owner's manual and dash-mounted safety warnings prior to driving.
- Study and understand controls.

TO OPERATE

- Turn wheels to desired direction and ensure path is clear.
- Turn key to ON position.
- While stopped, place Forward/Reverse switch in desired position:
F=Forward N=Neutral R=Reverse (buzzer will sound)
- Park brake will release and vehicle will start moving when accelerator pedal is pressed.
- Slowly press accelerator pedal to increase speed.
- To stop, release accelerator pedal and press brake pedal.

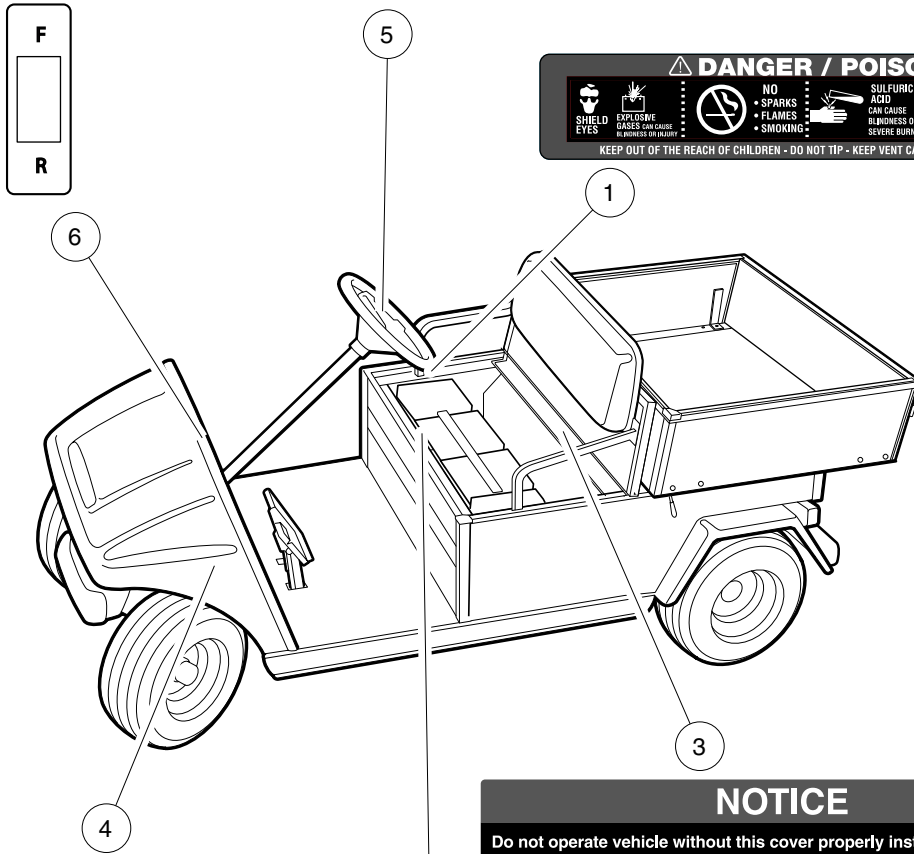
BEFORE LEAVING

- Press park brake pedal until it locks and holds vehicle.
- Place Forward/Reverse switch in NEUTRAL position.
- Turn key OFF and remove key when not in use.

MOTOR BRAKING

- Electric motor braking provides speed regulation functions.
- For parked vehicle, beeping alarm indicates vehicle roll away.
- In operation, beeping alarm indicates reduction in motor braking.
- Apply brakes to further reduce vehicle speed as required.
- System is activated only when tow switch is in the RUN position.
- When towing this vehicle, tow switch must be in the TOW position.

CCJ 102518001



⚠ DANGER / POISON

| | | | |
|--------------------------------|--|---|--|
| <small>SHIELD EYES</small> | <small>EXPLOSIVE GASES CAN CAUSE BLINDNESS OR INJURY</small> | <small>NO SPARKS FLAMES SMOKING</small> | <small>SULFURIC ACID CAN CAUSE BLINDNESS OR SEVERE BURNING</small> |
|--------------------------------|--|---|--|

KEEP OUT OF THE REACH OF CHILDREN - DO NOT TIP - KEEP VENT CAPS TIGHT AND LEVEL

IMPORTANT NOTICE

- Maximum vehicle speed is limited by motor braking during downhill operation with accelerator pedal depressed.
- If motor brake enabled, vehicle motor will brake when accelerator pedal is released.
- Beeping alarm indicates reduction in motor braking. Apply brakes to reduce speed.
- System is activated only when tow switch is in the "RUN" position.
- When towing vehicle, tow switch must be in the "TOW" position.

101929902

NOTICE

Do not operate vehicle without this cover properly installed. Do not direct water stream in this area; will cause damage to components. See vehicle maintenance and service manual before servicing.

CCJ 101931501

⚠ WARNING TOW RUN

Place Tow/Run switch in TOW position before:

- Disconnecting or connecting batteries
- Towing
- Extended storage
- Servicing

FAILURE TO HEED THIS WARNING COULD RESULT IN A BATTERY EXPLOSION OR SEVERE PERSONAL INJURY.

CCJ 101908601

000272-002

DECALS – ELECTRIC VEHICLES

| ITEM | PART NO. | DESCRIPTION | QTY |
|------|-----------|--|-----|
| | | 1 2 3 4 | |
| 1 | 1013677 | Decal, Battery Danger | 6 |
| 2 | 101908601 | Decal, Tow/Run Switch Warning | 1 |
| 3 | 101931501 | Decal, Component Cover | 1 |
| 4 | 101959902 | Decal, IQ System Motor Braking | 1 |
| 5 | 102518001 | Decal, Operating Instr, Elec | 1 |
| 6 | 103210301 | Decal, Forward/Reverse, Electric | 1 |

3
G
E

OPERATING INSTRUCTIONS

- Read owner's manual and safety warnings located on dash panel prior to driving.
- Study and understand controls.

TO OPERATE

- Turn wheels to desired direction and ensure path is clear.
- Turn key to ON position.
- While stopped, place shift lever in desired position:
F – Forward N – Neutral R – Reverse (Buzzer will sound)
- Park brake will release and vehicle will start moving when accelerator pedal is pressed.
- Slowly press accelerator pedal to increase speed.
- To stop, release accelerator pedal and press brake pedal.

BEFORE LEAVING

- Press park brake pedal until it locks and holds vehicle.
- Place Forward/Reverse switch in NEUTRAL position.
- Turn key OFF and remove key when not in use.

CCI 102519201

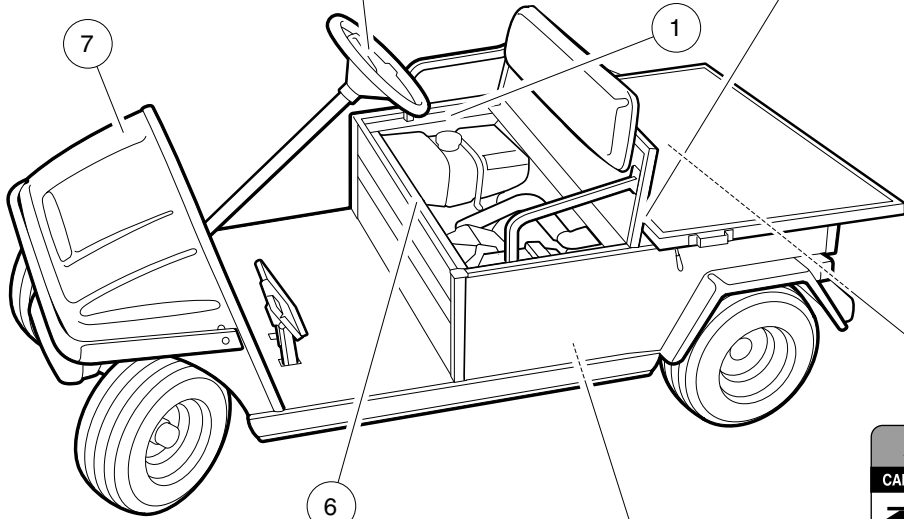


WARNING
CAN CAUSE SEVERE BURNS
Hot Surface
CCI 102458901

WARNING
GASOLINE EXPLOSION / FIRE.

- Can cause severe injury or death.
- No smoking, sparks, or open flame.
- Stop engine, allow to cool before refueling.
- Turn fuel valve (↔) on during operation. (↔) off during storage or transport.

CCI 101547601



Maintenance Operate

WARNING

VEHICLE MOVEMENT MAY CAUSE SERIOUS INJURY
When switch is in Maintenance position, chock wheels and firmly set park brake.

CCI 103205501

WARNING
CAN CAUSE SEVERE INJURY

Rotating parts

HOT
manifold & muffler

KEEP CLEAR

CCI 101960501

| | | | |
|--|---|--|--|
| | <p>WARNING</p> <p>Negative frame ground. Can cause severe injury. Do not contact positive (+) battery post or cable to frame. Disconnect negative battery cable first.</p> | | <p>WARNING</p> <p>Excessive speed can cause severe injury or death. Do not tamper with engine governor adjustment.</p> <p>CCI 101915201</p> |
|--|---|--|--|

000273-002

DECALS – GASOLINE VEHICLES

| ITEM | PART NO. | DESCRIPTION | QTY |
|------|-----------|--|-----|
| | | 1 2 3 4 | |
| 1 | 101547601 | Decal, Gasoline Explosion/Fire Warning | 1 |
| 2 | 101915201 | Decal, Frame Ground and Governor Warning | 1 |
| 3 | 101960501 | Decal, Rotating Parts/Hot Manifold | 2 |
| 4 | 102458901 | Decal, Hot Surface Warning | 2 |
| 5 | 102519201 | Decal, Operating Instr, Gas | 1 |
| 6 | 103205501 | Decal, Run/Service Switch | 1 |
| 7 | 103210201 | Decal, Forward/Reverse, Gas | 1 |

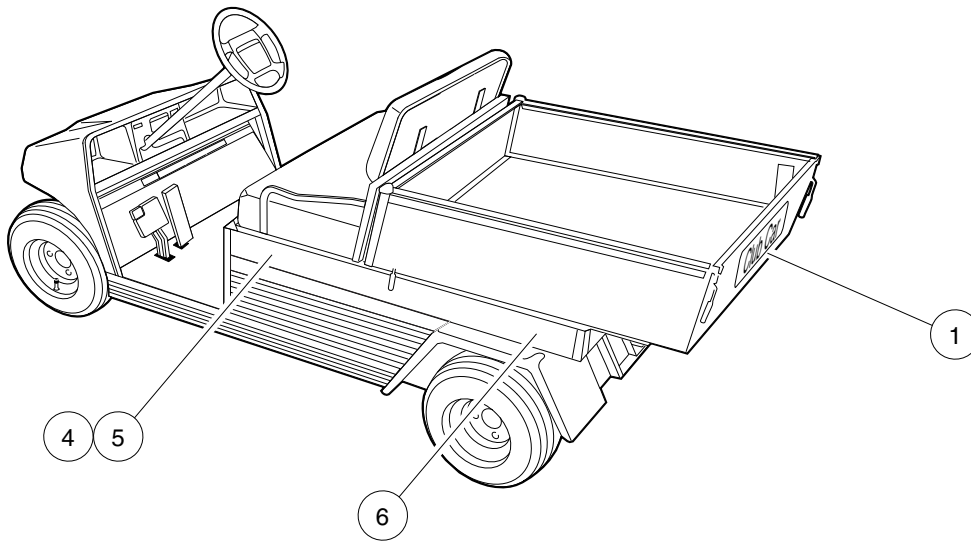
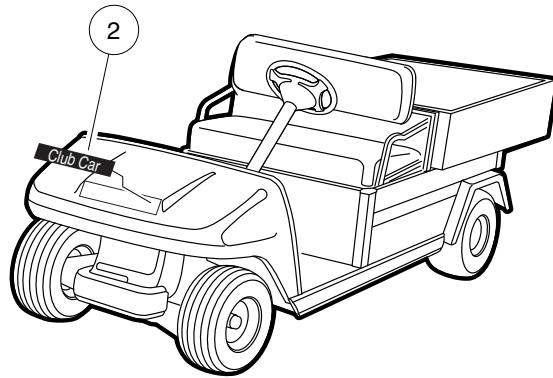
3
G
E

3

G

E

LOGO DECALS



000287-003

DECALS, LOGO

| ITEM | PART NO. | DESCRIPTION | QTY |
|------|-----------|-------------------------------|-----|
| | | 1 2 3 4 | |
| 1 | 1013317 | Decal, Logo, Tailgate | 1 |
| 2 | 101670201 | Nameplate Kit (silver) | 1 |
| 3 | 103234301 | Decal, Badge, IR | 2 |
| 4 | 103260001 | Decal Turf 1 Side Panel | 2 |
| 5 | 103260701 | Decal Ca 1 Side Panel | 2 |
| 6 | 103284001 | Decal Ca1 Black Bar | 1 |

3
G
E

3

G

E

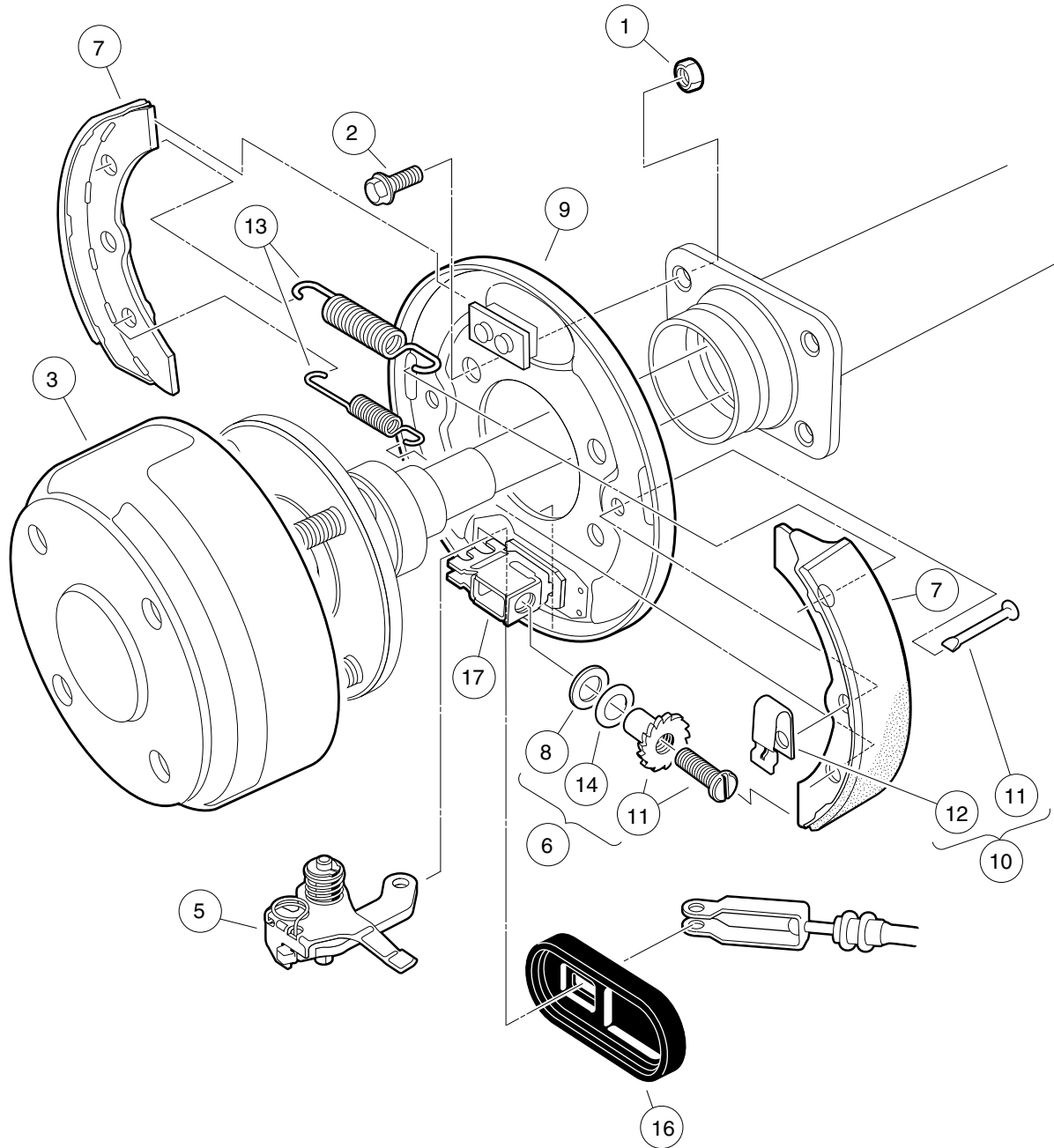
BRAKES, PEDALS, AND CABLE ASSEMBLIES

4

G

E

4
G
E



000186-001

REAR BRAKE ASSEMBLY, SELF-ADJUSTING – VEHICLE WITH 2-WHEEL BRAKES

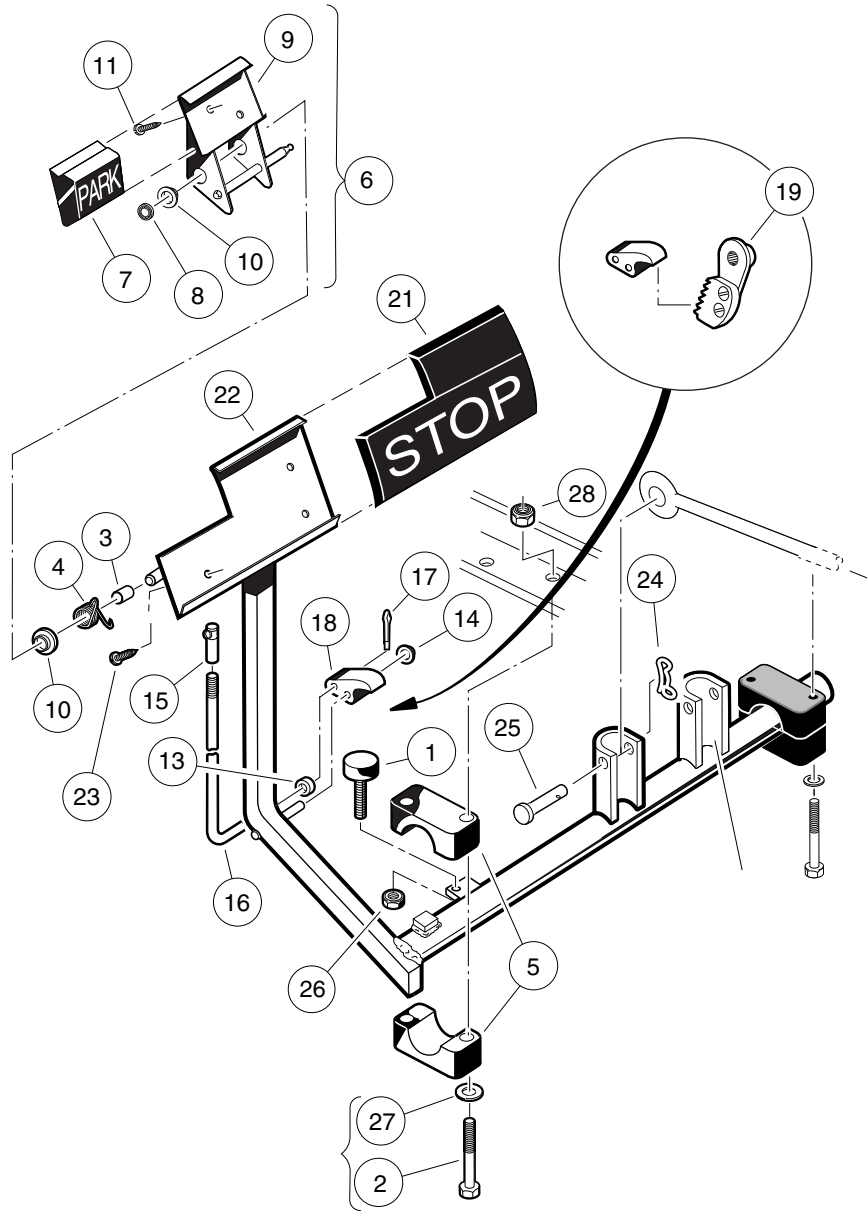
| ITEM | PART NO. | DESCRIPTION | QTY |
|---|-----------|---|-----|
| | | 1 2 3 4 | |
| 1 | 1013924 | Nut, 5/16-24 Hex Head Cone | 8 |
| 2 | 1014153 | Bolt, Brake Cluster Mounting | 8 |
| 3 | 101791101 | Drum without Center Hole, Brake | 2 |
| 4 | 103380201 | Asm, Brake Cluster, Mech, Drvr (includes items 5 through 17) | 1 |
| 5 | 101815501 | Lever Assembly, Self-Adjusting Brake, Right (Passenger) | 1 |
| 6 | 101816501 | Adj Mechanism, S.A. Brakes, Right (Passenger) | 1 |
| 7 | 101823201 | Package, Brake Shoe, Self-Adjusting | 1 |
| 8 | 101823801 | Plate, Washer, Brake, Self-Adjusting | 1 |
| 9 | 103483101 | Back Plate, Rh | 1 |
| 10 | 103483201 | Kit, Shoe Retainer (includes items 11 and 12) | 1 |
| 11 | 1010953 | Pin | 2 |
| 12 | 103483301 | Spring, Shoe, Clamp | 2 |
| 13 | 103483401 | Package Brake Spring Self Adj (includes items 14 and 15) | 1 |
| 14 | 101816401 | Brake Spring Self Adj | 2 |
| 15 | 103483501 | Spring Brake | 2 |
| 16 | 103483601 | Cover, Dust | 1 |
| 17 | 103483701 | Brake Block | 1 |
| 18 | 103380202 | Asm, Brake Cluster, Mech, Pass (includes items 19 through 31) | 1 |
| 19 | 101815502 | Lever Assembly, Self-Adjusting Brake, Left | 1 |
| 20 | 101816502 | Adjusting Mechanism, Self-Adjusting Brake, Left | 1 |
| 21 | 101823201 | Package, Brake Shoe, Self-Adjusting | 1 |
| 22 | 101823801 | Plate, Washer, Brake, Self-Adjusting | 1 |
| 23 | 103483102 | Back Plate, Lh | 1 |
| 24 | 103483201 | Kit, Shoe Retainer (includes items 25 and 26) | 1 |
| 25 | 1010953 | Pin | 2 |
| 26 | 103483301 | Spring, Shoe, Clamp | 2 |
| 27 | 103483401 | Package Brake Spring Self Adj (includes items 28 and 29) | 1 |
| 28 | 101816401 | Brake Spring Self Adj | 2 |
| 29 | 103483501 | Spring Brake | 2 |
| 30 | 103483601 | Cover, Dust | 1 |
| 31 | 103483701 | Brake Block | 1 |
| Note: Driver-side brake cluster not shown. Components have a similar appearance to passenger-side brake cluster components. | | | |

4

G

E

4
G
E



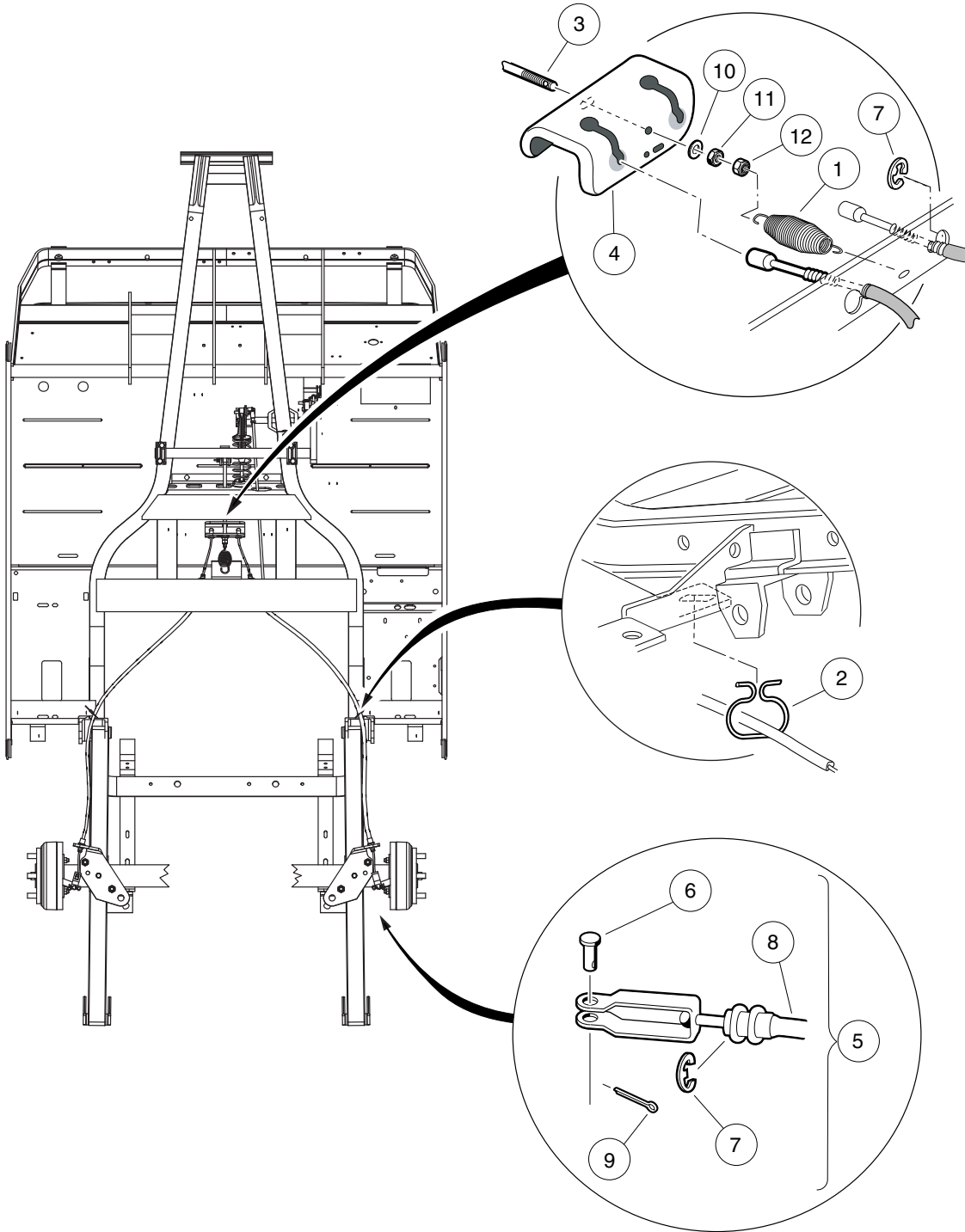
000187-001

BRAKE PEDAL ASSEMBLY – VEHICLES WITH TWO-WHEEL BRAKES

| ITEM | PART NO. | DESCRIPTION | QTY |
|------|-----------|--|-----|
| | | 1 2 3 4 | |
| 1 | 1010878 | Bumper, Rubber | 1 |
| 2 | 1010921 | Screw, 5/16-18 X 2.50 Hex Cap | 4 |
| 3 | 1010927 | Hill Brake Spacer | 1 |
| 4 | 1010933 | Spring, Hill Brake Torsion | 1 |
| 5 | 1011402 | Package, Brake Mounting Block | 1 |
| 6 | 1011418 | Kit, Hill Brake Pedal (includes items 7 through 11) | 1 |
| 7 | 1013870 | Pad, Hill Brake | 1 |
| 8 | 1013876 | Pushnut, 3/8 | 1 |
| 9 | N/A | Hill Brake Weld Assembly | 1 |
| 10 | 1032 | Bushing, Nylon | 2 |
| 11 | 7716 | Screw, #10-16 Type AB, Sheet Metal | 2 |
| 12 | 101187702 | Kit, Hill Brake Latch (includes items 13 through 19) | 1 |
| 13 | 1010805 | Sleeve, Hill Brake Rod | 1 |
| 14 | 1010877 | Pushnut, 3/8 | 1 |
| 15 | 1010932 | Ball Joint, 1/4-28 | 1 |
| 16 | N/A | Rod, Hill Brake | 1 |
| 17 | 1017029 | Pin, Cotter, 7/64 x 1/2 Stainless-Steel | 1 |
| 18 | N/A | Pawl, Hill Brake | 1 |
| 19 | 101918501 | Ratchet Assembly | 1 |
| 20 | 101878201 | Brake Pedal Kit (includes items 21 through 23) | 1 |
| 21 | 1013869 | Pad, Brake Pedal | 1 |
| 22 | N/A | Weldment, Brake Pedal 4wb Std | 1 |
| 23 | 7716 | Screw, #10-16 Type AB, Sheet Metal | 3 |
| 24 | 102323101 | Pin, Bow Tie Locking | 1 |
| 25 | 102323201 | Pin, 3/8 X 1-5/16 Clevis | 1 |
| 26 | 1028 | Nut, 1/4-20 Hex | 1 |
| 27 | 1241 | Washer, 5/16 Type A Flat | 4 |
| 28 | 7473 | Locknut, 5/16-18 Nylon Insert | 4 |

4
G
E

4
G
E



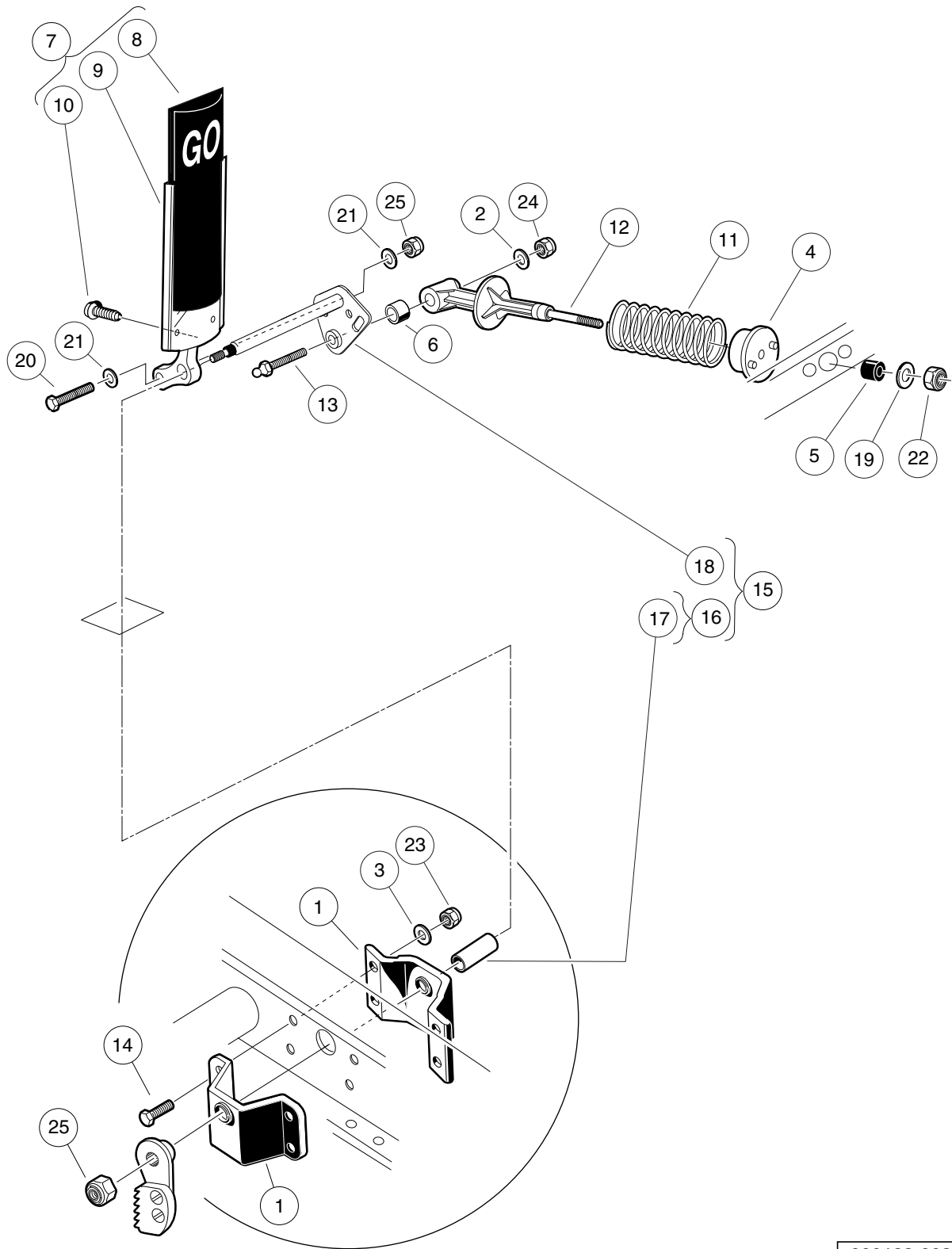
000245-001

BRAKE CABLES AND EQUALIZER

| ITEM | PART NO. | DESCRIPTION | QTY |
|------|-----------|--|-----|
| | | 1 2 3 4 | |
| 1 | 1013531 | Spring, Brake Return | 1 |
| 2 | 101900801 | Hanger, Brake Cable | 2 |
| 3 | 101953101 | Rod, Equalizer, 8.91" | 1 |
| 4 | 101990801 | Equalizer Bracket | 1 |
| 5 | 102022101 | Brake Cable Kit (includes items 6 through 9) | 2 |
| 6 | 1010829 | Pin, Clevis, 5/16 X 3/4 | 1 |
| 7 | 1011779 | E-Clip, 1/2 | 2 |
| 8 | N/A | Cable, Brake, 41" | 1 |
| 9 | 1035 | Cotter Pin, 3/32 x 1 | 1 |
| 10 | 1241 | Washer, 5/16 Type A Flat | 5 |
| 11 | 1242 | Nut, 5/16-18 Hex | 1 |
| 12 | 7473 | Locknut, 5/16-18 Nylon Insert | 5 |

4
G
E

4
G
E



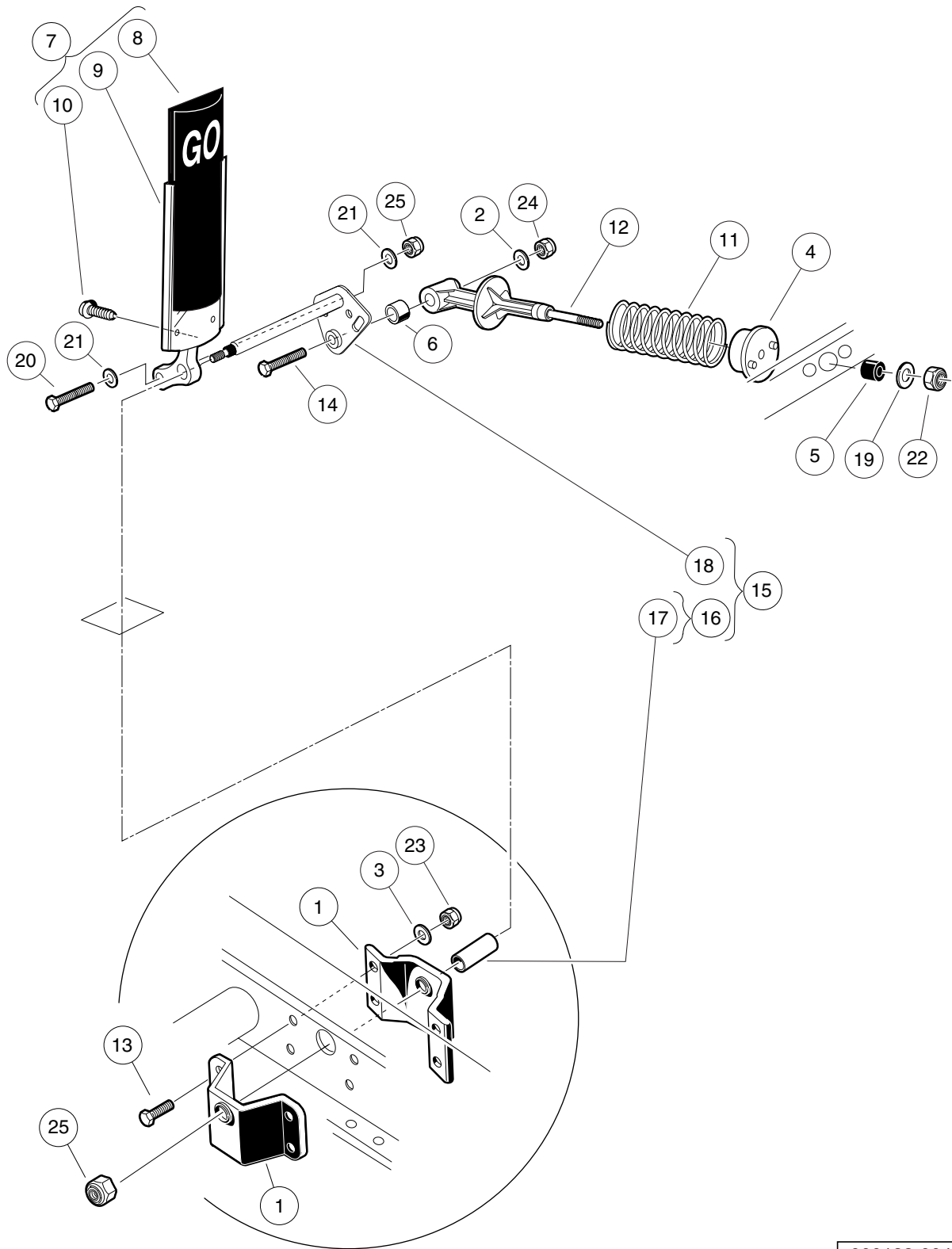
000188-003

ACCELERATOR PEDAL ASSEMBLY – GASOLINE VEHICLE

| ITEM | PART NO. | DESCRIPTION | QTY |
|------|-----------|--|-----|
| | | 1 2 3 4 | |
| 1 | 1011694 | Accelerator Bracket and Bearing Assembly | 2 |
| 2 | 1011931 | Washer, 1/4 Flat | 1 |
| 3 | 1014007 | Washer, 1/4 Flat | 4 |
| 4 | 1017378 | Cup, Spring | 1 |
| 5 | 1017380 | Bumper, Spring Return | 1 |
| 6 | 1017424 | Bearing, Pivot Support | 1 |
| 7 | 1017696 | Sub Asm, Accelerator Pedal (includes items 8 through 10) | 1 |
| 8 | 1013871 | Pad, Accelerator Pedal | 1 |
| 9 | N/A | Accelerator Pedal Weldment | 1 |
| 10 | 7716 | Screw, #10-16 Type AB, Sheet Metal | 4 |
| 11 | 101796201 | Spring, Accelerator Return | 1 |
| 12 | 101817401 | Retainer, Spring | 1 |
| 13 | 101818801 | Stud, 1/4-28 X 1.35 Ball | 1 |
| 14 | 101861901 | Screw, 1/4-20 X 1.125 Hex Cap | 4 |
| 15 | 102026001 | Kit, Accelerator Pivot Rod Assembly (includes items 16 through 18) | 1 |
| 16 | 1011700 | Spacer Assembly (includes item 17) | 1 |
| 17 | 101919801 | Spacer, Accelerator | 1 |
| 18 | N/A | Pivot Rod Weldment | 1 |
| 19 | 1241 | Washer, 5/16 Type A Flat | 1 |
| 20 | 1624 | Screw, 3/8-16 X 1.50 Hex-Head Cap | 1 |
| 21 | 334 | Washer, 3/8 Type A Flat | 2 |
| 22 | 7473 | Locknut, 5/16-18 Nylon Insert | 1 |
| 23 | 8233 | Locknut, 1/4-20 Nylon Insert | 4 |
| 24 | 8717 | Locknut, 1/4-28 Nylon Insert | 1 |
| 25 | 8754 | Locknut, 3/8-16 Hex | 2 |

4
G
E

4
G
E



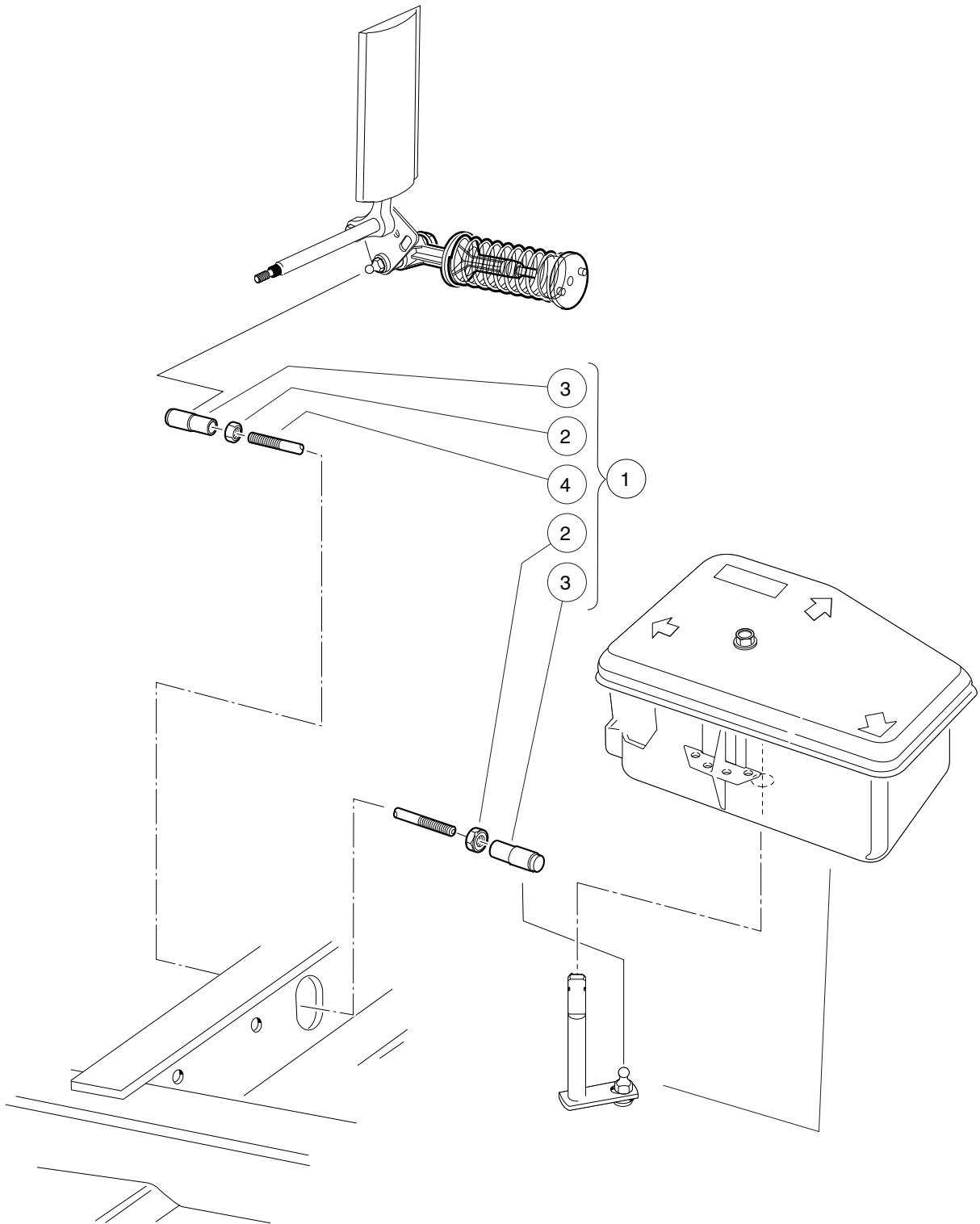
000188-004

ACCELERATOR PEDAL ASSEMBLY – ELECTRIC VEHICLES WITH MCOR

| ITEM | PART NO. | DESCRIPTION | QTY |
|------|-----------|--|-----|
| | | 1 2 3 4 | |
| 1 | 1011694 | Accelerator Bracket and Bearing Assembly | 2 |
| 2 | 1011931 | Washer, 1/4 Flat | 1 |
| 3 | 1014007 | Washer, 1/4 Flat | 4 |
| 4 | 1017378 | Cup, Spring | 1 |
| 5 | 1017380 | Bumper, Spring Return | 1 |
| 6 | 1017424 | Bearing, Pivot Support | 1 |
| 7 | 1017696 | Sub Asm, Accelerator Pedal (includes items 8 through 10) | 1 |
| 8 | 1013871 | Pad, Accelerator Pedal | 1 |
| 9 | N/A | Accelerator Pedal Weldment | 1 |
| 10 | 7716 | Screw, #10-16 Type AB, Sheet Metal | 4 |
| 11 | 101796201 | Spring, Accelerator Return | 1 |
| 12 | 101817401 | Retainer, Spring | 1 |
| 13 | 101861901 | Screw, 1/4-20 X 1.125 Hex Cap | 4 |
| 14 | 101862001 | Screw, 1/4-20 X 1.500 Flange | 1 |
| 15 | 102026001 | Kit, Accelerator Pivot Rod Assembly (includes items 16 through 18) | 1 |
| 16 | 1011700 | Spacer Assembly (includes item 17) | 1 |
| 17 | 101919801 | Spacer, Accelerator | 1 |
| 18 | N/A | Pivot Rod Weldment | 1 |
| 19 | 1241 | Washer, 5/16 Type A Flat | 1 |
| 20 | 1624 | Screw, 3/8-16 X 1.50 Hex-Head Cap | 1 |
| 21 | 334 | Washer, 3/8 Type A Flat | 2 |
| 22 | 7473 | Locknut, 5/16-18 Nylon Insert | 1 |
| 23 | 8233 | Locknut, 1/4-20 Nylon Insert | 4 |
| 24 | 8717 | Locknut, 1/4-28 Nylon Insert | 1 |
| 25 | 8754 | Locknut, 3/8-16 Hex | 2 |

4
G
E

4
G
E



000362-001

ACCELERATOR ROD – GASOLINE VEHICLES

| ITEM | PART NO. | DESCRIPTION | QTY |
|------|-----------|---|-----|
| | | 1 2 3 4 | |
| 1 | 101912401 | Rod, Accelerator (includes items 2 through 4) | 1 |
| 2 | 1011084 | Nut, 1/4-28 Hex Jam | 2 |
| 3 | 1011734 | Joint, Ball | 2 |
| 4 | N/A | Accelerator Rod | 1 |

4

G

E

4

G

E

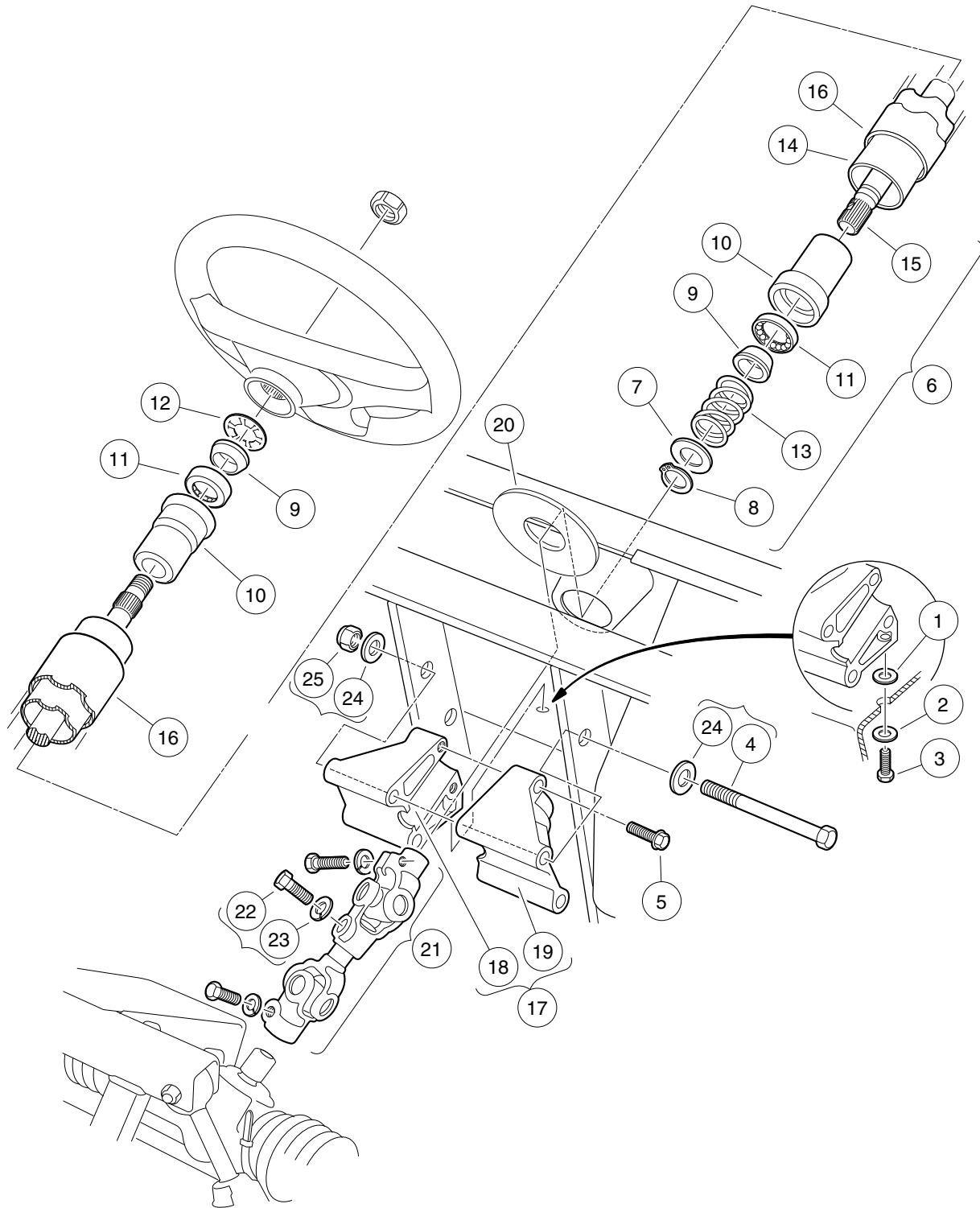
STEERING, FRONT AND REAR SUSPENSION

5

G

E

5
G
E



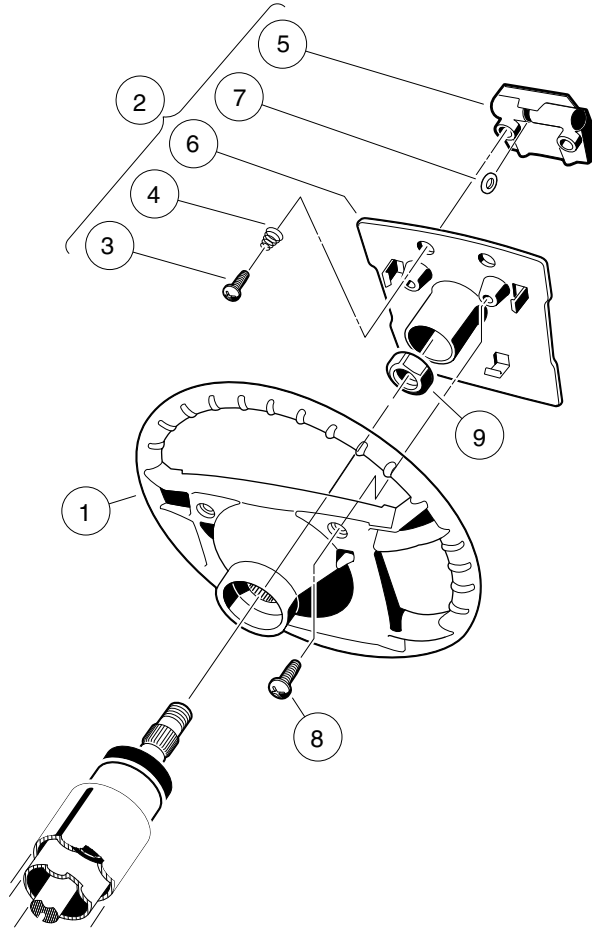
000247-001

STEERING COLUMN

| ITEM | PART NO. | DESCRIPTION | QTY |
|------|-----------|--|-----|
| | | 1 2 3 4 | |
| 1 | 1011578 | Washer, 5/16 Type B Flat | 1 |
| 2 | 1011697 | Washer, 5/16 Flat | 1 |
| 3 | 1014288 | Screw, 5/16-18 X 0.75 Thread-Forming | 1 |
| 4 | 1016183 | Screw, 3/8-16 X 7.00 Hex Cap | 2 |
| 5 | 1016269 | Screw, 5/16-18 Thrd Forming | 2 |
| 6 | 1017313 | Steering Shaft Assembly (includes items 7 through 15) | 1 |
| 7 | 1012604 | Washer, 0.675 ID X 1.19 OD | 1 |
| 8 | 1012605 | Ring, 0.579 Internal Retaining | 1 |
| 9 | 1014125 | Wedge, Molded | 2 |
| 10 | 1014126 | Seat, Plastic Bearing | 2 |
| 11 | 1014213 | Bearing, Ball | 2 |
| 12 | 1014214 | Ring, Retaining | 1 |
| 13 | 1014217 | Spring, Steering Shaft | 1 |
| 14 | 1017314 | Column, Aluminum Steering | 1 |
| 15 | 1017315 | Shaft Steering Column | 1 |
| 16 | 1017317 | Tube Cover, Steering Column | 1 |
| 17 | 101984801 | Kit, Steering Column Mounting Bracket (includes items 18 and 19) | 1 |
| 18 | N/A | Bracket, RH Steering Column Mount | 1 |
| 19 | N/A | Bracket, LH Steering column mount | 1 |
| 20 | 102278001 | Boot, Steering Column Round | 1 |
| 21 | 103601601 | Shaft, Intermediate Steering (includes items 22 and 23) | 1 |
| 22 | 1017226 | Bolt, Hex-Head, 8mm X 1.25 - 30 | 3 |
| 23 | 7174 | Lockwasher, 5/16 Split | 3 |
| 24 | 334 | Washer, 3/8 Type A Flat | 4 |
| 25 | 8754 | Locknut, 3/8-16 Hex | 2 |

5
G
E

5
G
E



000246-002

STEERING WHEEL – TURF 1

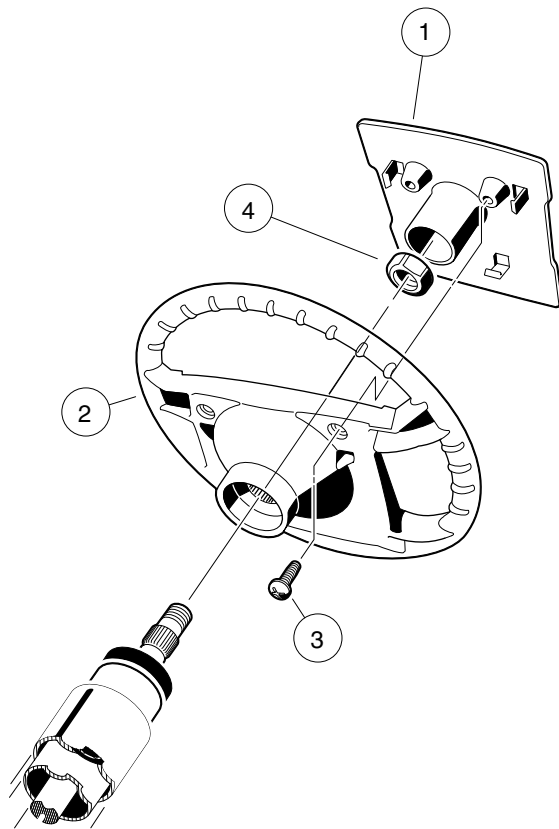
| ITEM | PART NO. | DESCRIPTION | QTY |
|------|----------|---|-----|
| | | 1 2 3 4 | |
| 1 | 1016156 | Wheel, Steering | 1 |
| 2 | 1016219 | Plate, Scorecard (includes items 3 through 7) | 1 |
| 3 | 1012565 | Screw, #12 Phillips Round Head | 2 |
| 4 | 1012566 | Tapered Compression Spring | 2 |
| 5 | 1016154 | Clip, Scorecard | 1 |
| 6 | N/A | Plate, Score Card | 1 |
| 7 | N/A | Pencil Grip | 1 |
| 8 | 1016663 | Screw, #12-14 X 0.625 | 2 |
| 9 | 1017273 | Nut, 5/8-18 Nylon Insert Jam | 1 |

5
G
E

5

G

E



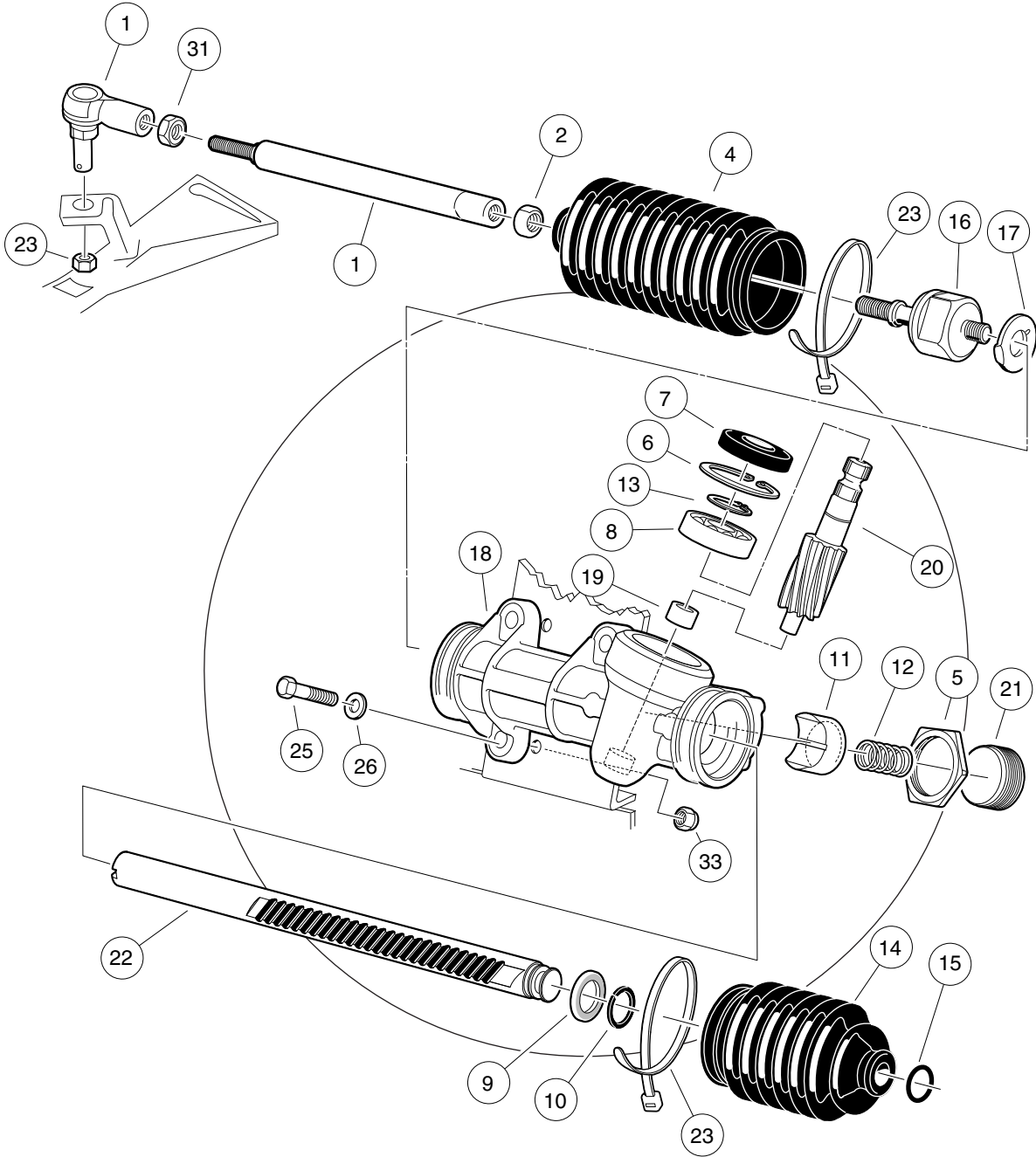
000246-003

STEERING WHEEL – CARRYALL 1

| ITEM | PART NO. | DESCRIPTION | QTY |
|------|-----------|------------------------------------|-----|
| | | 1 2 3 4 | |
| 1 | 101615504 | Plate, Scorecard | 1 |
| 2 | 1016156 | Wheel, Steering | 1 |
| 3 | 1016663 | Screw, #12-14 X 0.625 | 2 |
| 4 | 1017273 | Nut, 5/8-18 Nylon Insert Jam | 1 |

5
G
E

5
G
E

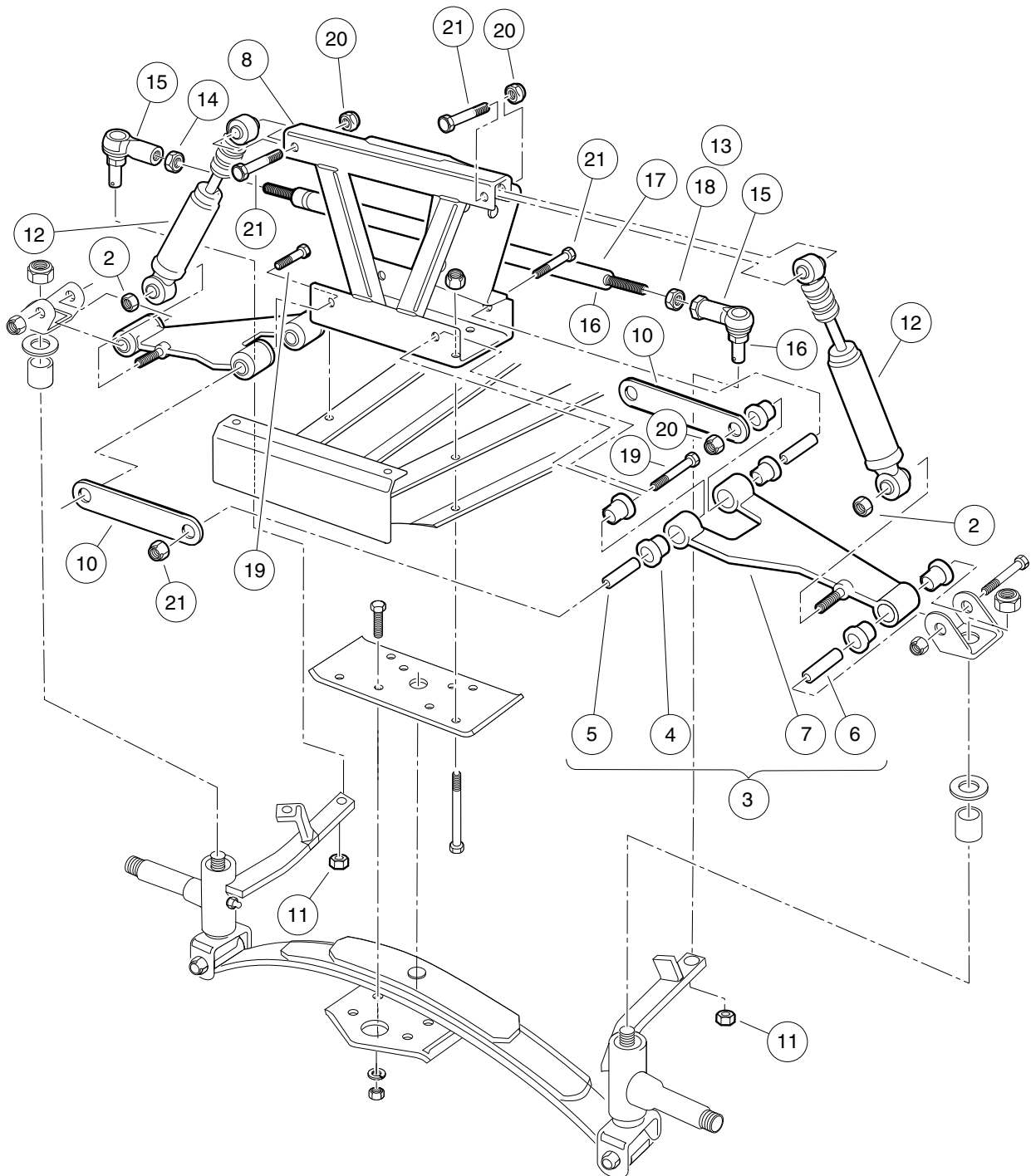


000189-001

STEERING GEAR ASSEMBLY

| ITEM | PART NO. | DESCRIPTION | QTY | 5 |
|------|-----------|---|-----|----------|
| | | 1 2 3 4 | | |
| 1 | 1012467 | Link, Rack and Pinion Drag | 1 | G |
| 2 | 1013042 | Nut, 12mm Hex | 1 | |
| 3 | 101878302 | Steering Gear Assembly (without yoke) (includes items 4 through 23) | 1 | |
| 4 | 1013035 | Bellows, Long | 1 | |
| 5 | 1013044 | Rack Screw Locknut | 1 | |
| 6 | 1013051 | Snap Ring | 1 | |
| 7 | 1013052 | Seal, Steering Pinion Dust | 1 | |
| 8 | 101879401 | Bearing, Ball | 1 | |
| 9 | 101879501 | Stop Washer | 1 | |
| 10 | 101879601 | Stop Ring, C-Type | 1 | |
| 11 | 101879701 | Support Yoke | 1 | |
| 12 | 101879801 | Rack Guide Pressure Spring | 1 | |
| 13 | 101879901 | Ring, Stop, C-Type | 1 | |
| 14 | 101880001 | Bellows, Short | 1 | |
| 15 | 101880101 | Dust Seal Retaining Ring | 1 | |
| 16 | 101880201 | Inner Ball Joint Asm | 1 | |
| 17 | 101880301 | Washer, Tab | 1 | |
| 18 | N/A | Box, Steering Gear | 1 | |
| 19 | N/A | Bearing, Lower Pinion | 1 | |
| 20 | N/A | Pinion, Steering | 1 | |
| 21 | N/A | Screw, Rack Guide | 1 | |
| 22 | N/A | Rack, Steering | 1 | |
| 23 | 8990 | Tie Wrap, 8" Nylon | 2 | |
| 24 | 1035 | Cotter Pin, 3/32 x 1 | 1 | |
| 25 | 1624 | Screw, 3/8-16 X 1.50 Hex-Head Cap | 3 | |
| 26 | 334 | Washer, 3/8 Type A Flat | 3 | |
| 27 | 7540 | Ball Joint, Left (includes items 28 through 31) | 1 | |
| 28 | 1011895 | Socket, LH Vertical | 1 | |
| 29 | 1011930 | Seal, Vertical Socket Dust | 1 | |
| 30 | 1015597 | Fitting, 1/4-28 Thread-Forming Grease | 1 | |
| 31 | 7602 | Nut, 3/8-24 UNF Hex | 1 | |
| 32 | 7555 | Nut, 1/2-20 Hex, Left-Hand Thread | 1 | |
| 33 | 8754 | Locknut, 3/8-16 Hex | 3 | |

5
G
E



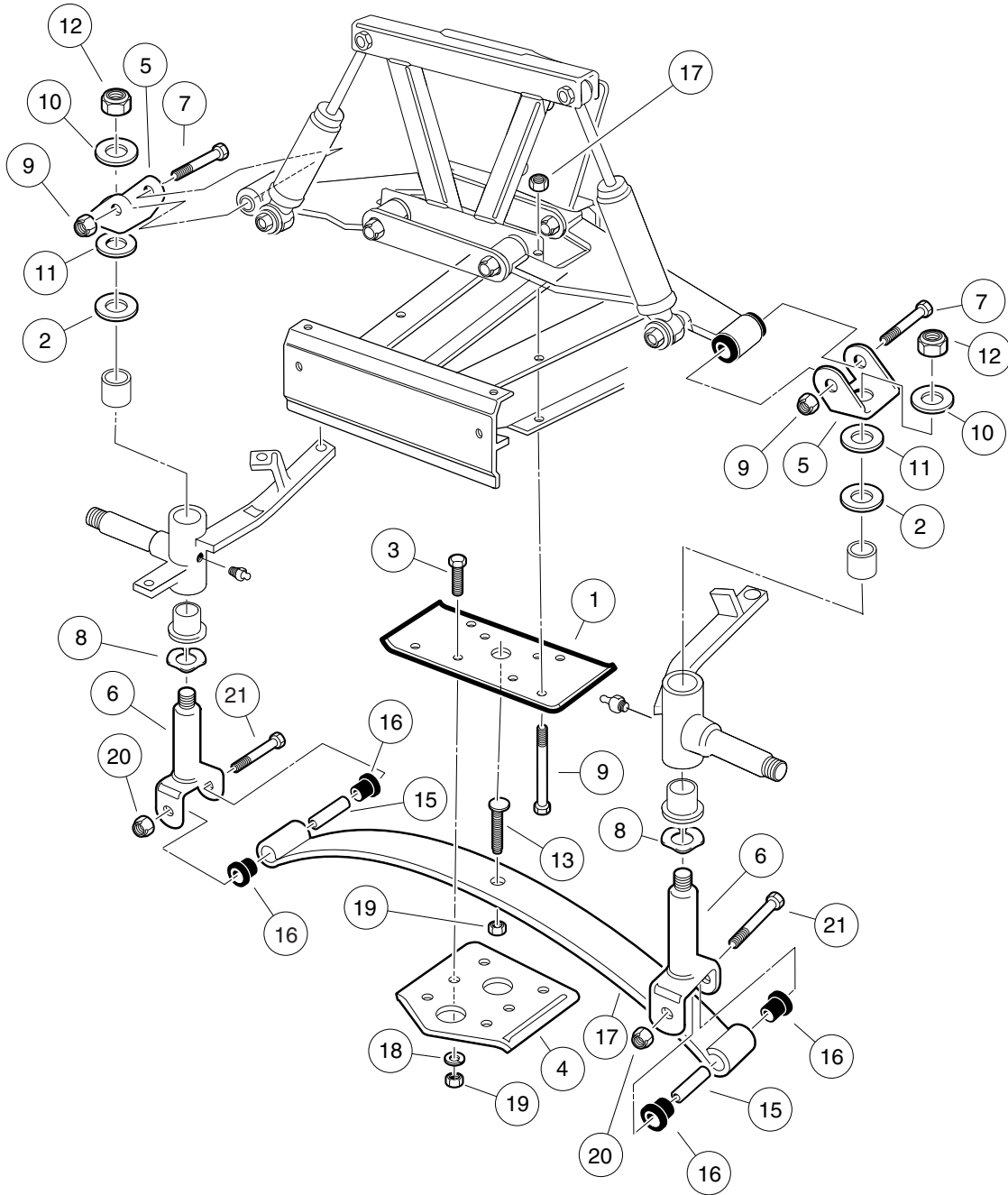
000312-002

FRONT SUSPENSION, UPPER

| ITEM | PART NO. | DESCRIPTION | QTY |
|------|-----------|--|-----|
| | | 1 2 3 4 | |
| 1 | N/A | Sub, Fr Susp. -1 Lf-2wb Golf (includes items 2 through 21) | 1 |
| 2 | 1010138 | Locknut, 3/8-16 Dimpled | 2 |
| 3 | 1016353 | Sub-Assembly, Delta A-Plate (includes items 4 through 7) | 2 |
| 4 | 1016346 | Bushing, Urethane | 6 |
| 5 | 1016349 | Sleeve, Delta Inner | 2 |
| 6 | 1016350 | Sleeve, Delta Outer | 1 |
| 7 | 1016351 | Delta A-Plate | 1 |
| 8 | 1016385 | Delta Shock and Gear Support Assembly | 1 |
| 9 | 1016387 | Screw, 3/8-16 X 2.75 Hx Hd Cap | 2 |
| 10 | 1017266 | A-Plate Strap | 2 |
| 11 | 102289201 | Nut - Hex Locking, M12 X 1.25 | 3 |
| 12 | 103351001 | Shock Absorber, Front, Common | 2 |
| 13 | N/A | Asm, Tie Rod (includes items 14 through 18) | 1 |
| 14 | 1013042 | Nut, 12mm Hex | 1 |
| 15 | 102022601 | End, Tie Rod M12 X 1.25 Rh | 1 |
| 16 | 102022602 | End, Tie Rod, M12 X 1.25, Lh | 1 |
| 17 | 103354701 | Rod, Tie, Male Thd | 1 |
| 18 | 103653501 | Nut, Jam, M12-1.25, Lh | 1 |
| 19 | 2402 | Screw, 3/8-16 X 2.25 Hx Hd Cap | 4 |
| 20 | 8754 | Locknut, 3/8-16 Hex | 13 |
| 21 | 8861 | Bolt, 3/8-16 X 1.75 Hex | 2 |

5
G
E

5
G
E



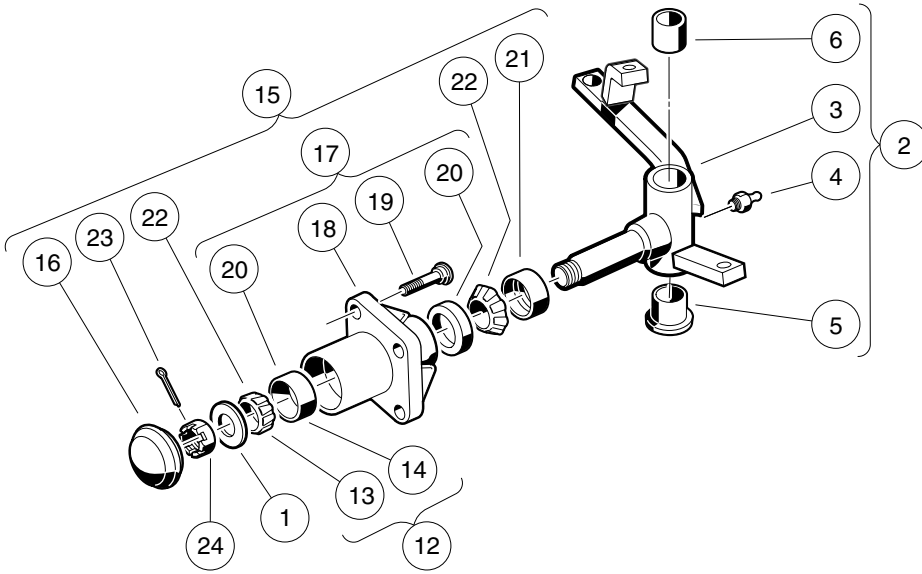
000311-001

FRONT SUSPENSION, LOWER

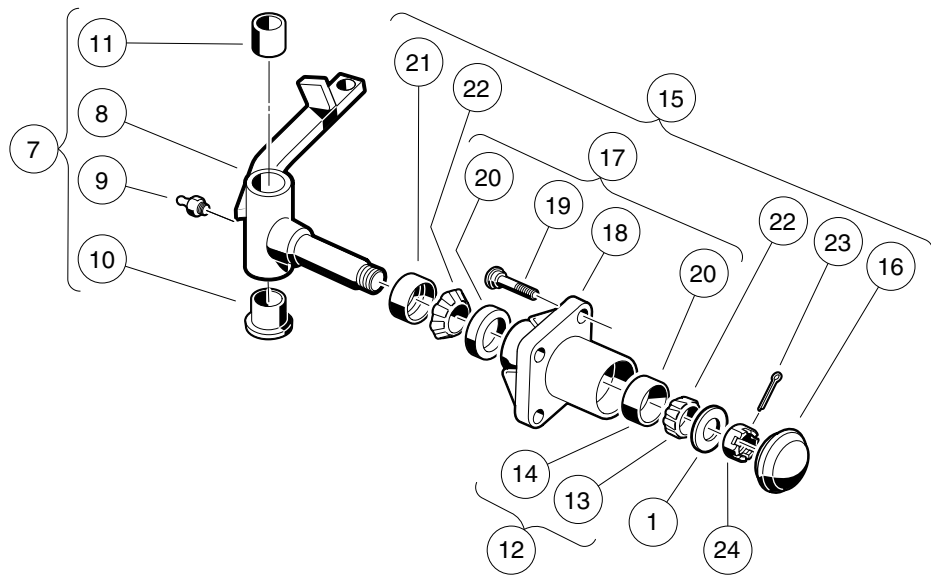
| ITEM | PART NO. | DESCRIPTION | QTY |
|------|-----------|--|-----|
| | | 1 2 3 4 | |
| 1 | 1010124 | Plate, Spring Mount | 1 |
| 2 | 1010150 | Bearing, Thrust | 2 |
| 3 | 1010177 | Bolt, 3/8-16 X 2.00 Hex Head | 4 |
| 4 | 1014276 | Plate, Front Spring Retainer | 1 |
| 5 | 1016384 | Clevis, Delta Upper | 2 |
| 6 | 1016386 | King Pin Assembly | 2 |
| 7 | 1016387 | Screw, 3/8-16 X 2.75 Hx Hd Cap | 2 |
| 8 | 1016389 | Washer, 1.125 Od Wave | 2 |
| 9 | 101870501 | Screw, 3/8-16 X 4.75 Hx Hd Cap | 4 |
| 10 | 102564002 | Washer-1/2 Conical, Yellow | 2 |
| 11 | 102684501 | Washer, M12 Hard Regular | 2 |
| 12 | 102766301 | Nut, 1/2-20, Center Lock | 2 |
| 13 | 103507001 | Eccentric Bolt Common | 1 |
| 14 | N/A | Spring Asm, Front, 1 Leaf (includes items 15 through 17) | 1 |
| 15 | 1012303 | Bushing, Steel | 2 |
| 16 | 1015583 | Bushing, Urethane | 4 |
| 17 | N/A | Spring, Front, 1 Leaf | 1 |
| 18 | 357 | Lockwasher, 3/8 Split | 4 |
| 19 | 706 | Nut, Hex 3/8-16 | 1 |
| 20 | 8754 | Locknut, 3/8-16 Hex | 4 |
| 21 | 8755 | Screw, 3/8-16 X 3.375 Hex Cap | 2 |

5
G
E

PASSENGER SIDE



DRIVER SIDE

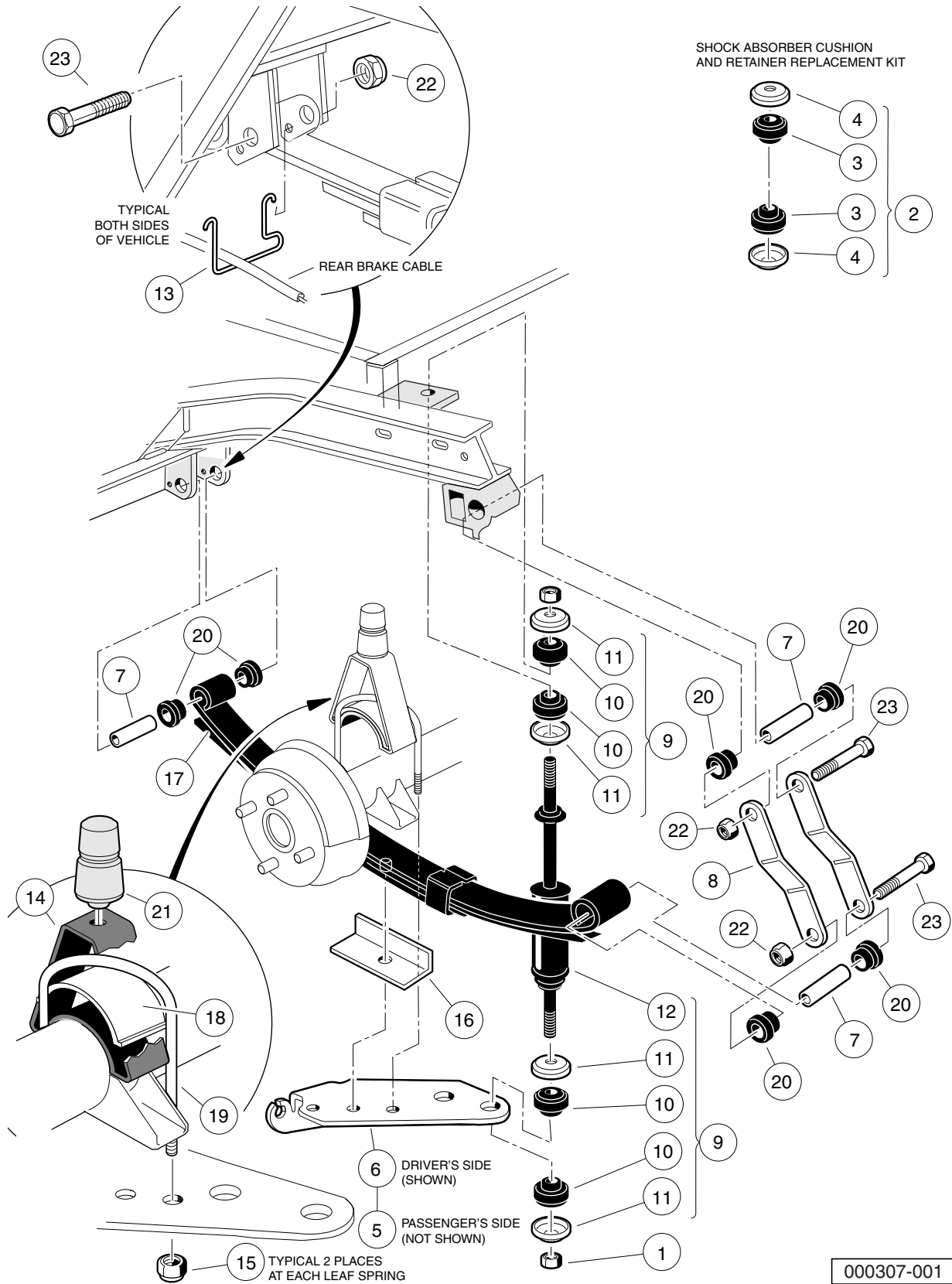


000310-001

FRONT SPINDLES AND HUBS – VEHICLES WITH TWO-WHEEL BRAKES

| ITEM | PART NO. | DESCRIPTION | QTY |
|------|-----------|---|-----|
| | | 1 2 3 4 | |
| 1 | 1010005 | Washer, 3/4 Flat | 2 |
| 2 | 1010347 | Spindle Assembly, Right | 1 |
| 3 | 1010348 | Spindle Assembly, Left (includes items 4 through 7) | 1 |
| 4 | 1010342 | Spindle Sub-Assembly, Left-Hand | 1 |
| 5 | 1015597 | Fitting, 1/4-28 Thread-Forming Grease | 1 |
| 6 | 7048 | Bushing, Flanged Bronze | 1 |
| 7 | 8067 | Bushing, Bronze Spindle | 1 |
| 8 | 1011393 | Hub Bearing Package (includes items 9 and 10) | 4 |
| 9 | 7274 | Bearing, Front Hub Wheel | 1 |
| 10 | 7308 | Race, Front Hub Bearing | 1 |
| 11 | 1011892 | Hub Assembly (includes items 12 through 19) | 2 |
| 12 | 1011887 | Dust Cover | 1 |
| 13 | 1011889 | Hub (includes items 14 through 16) | 1 |
| 14 | 1011153 | Front Hub | 1 |
| 15 | 103477901 | Lug Stud, 1/2-20 Unf, 4037 | 4 |
| 16 | 7308 | Race, Front Hub Bearing | 2 |
| 17 | 1013135 | Seal, Double Lip | 1 |
| 18 | 7274 | Bearing, Front Hub Wheel | 2 |
| 19 | 7910 | Pin, 5/32 X 1.00 Cotter | 1 |
| 20 | 7840 | Nut, 3/4-16 Hex Slotted | 2 |

5
G
E

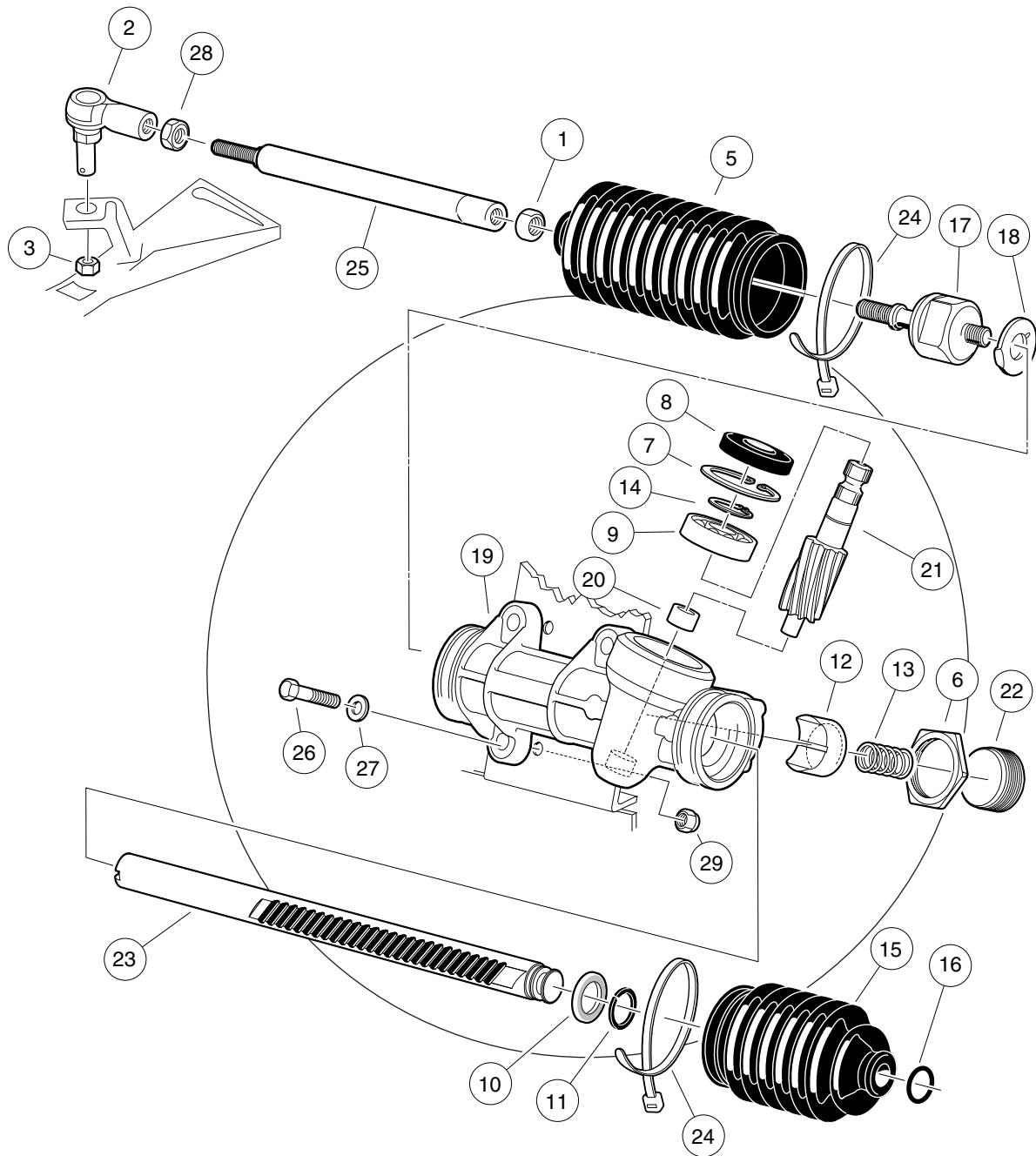


REAR SUSPENSION COMPONENTS – ELECTRIC VEHICLES

| ITEM | PART NO. | DESCRIPTION | QTY |
|------|-----------|--|-----|
| | | 1 2 3 4 | |
| 1 | 1010145 | Nut, 3/8-24 Hex | 4 |
| 2 | 1011415 | Kit, Shock Absorber Cushion (includes items 3 and 4) | 4 |
| 3 | 1010142 | Cushion, Shock Absorber | 2 |
| 4 | 1010144 | Retainer, Shock Absorber Cushion | 2 |
| 5 | 1012181 | Bracket, Shock Mounting, Right (Passenger) | 1 |
| 6 | 1012182 | Bracket, Shock Mounting, Left (Driver) | 1 |
| 7 | 1012303 | Bushing, Steel | 6 |
| 8 | 1012304 | Shackle, Rear Spring | 4 |
| 9 | 1013164 | Shock Absorber Kit (includes items 10 through 12) | 1 |
| 10 | 1010142 | Cushion, Shock Absorber | 8 |
| 11 | 1010144 | Retainer, Shock Absorber Cushion | 8 |
| 12 | 102588501 | Shock Absorber Rear Prv Spd | 2 |
| 13 | 1013207 | Hanger, Brake Cable | 2 |
| 14 | 101454902 | Bumper Mount, Angled | 2 |
| 15 | 1014555 | Locknut, 7/16-14 Nylon Hex | 4 |
| 16 | 1014573 | Spring Retainer | 2 |
| 17 | 1014675 | Rear Leaf Spring | 2 |
| 18 | 1014901 | Spacer, Overload Bumper | 2 |
| 19 | 1014902 | U-Bolt | 2 |
| 20 | 1015583 | Bushing, Urethane | 12 |
| 21 | 1017235 | Bumper, Jounce | 2 |
| 22 | 8754 | Locknut, 3/8-16 Hex | 6 |
| 23 | 8755 | Screw, 3/8-16 X 3.375 Hex Cap | 6 |
| | | Note: Only the driver-side rear suspension is shown. Parts for the passenger-side rear suspension are identical except for the leaf spring/shock mounting plate. | |

5
G
E

5
G
E

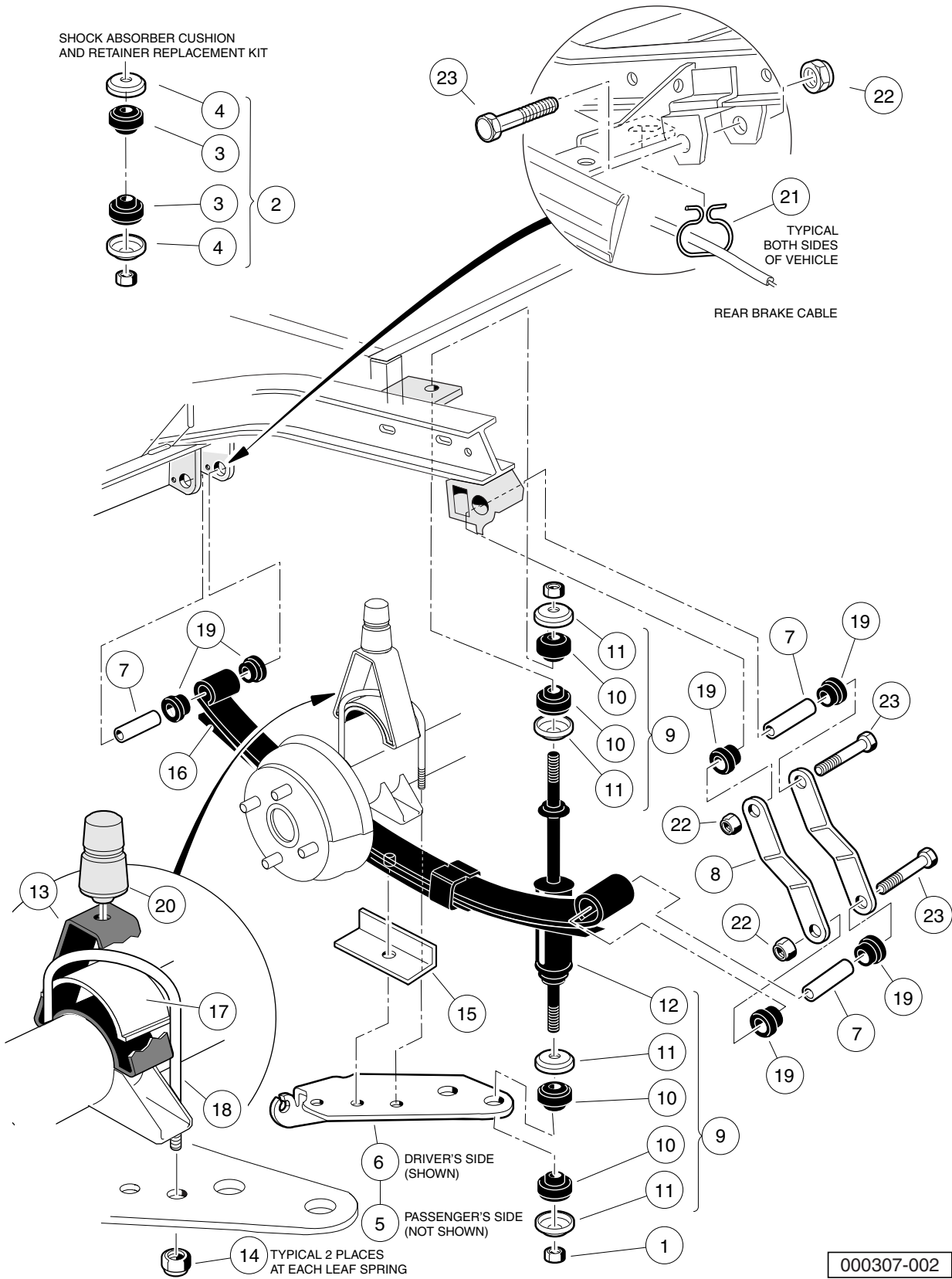


000960-001

STEERING GEAR ASSEMBLY

| ITEM | PART NO. | DESCRIPTION | QTY | |
|------|-----------|---|-----|----------|
| | | 1 2 3 4 | | 5 |
| 1 | 1013042 | Nut, 12mm Hex | 1 | G |
| 2 | 102022602 | End, Tie Rod, M12 X 1.25, Lh | 1 | E |
| 3 | 102289201 | Nut - Hex Locking, M12 X 1.25 | 3 | |
| 4 | 103601501 | Asm, Steering Rack And Pinion (includes items 5 through 24) | 1 | |
| 5 | 1013035 | Bellows, Long | 1 | |
| 6 | 1013044 | Rack Screw Locknut | 1 | |
| 7 | 1013051 | Snap Ring | 1 | |
| 8 | 1013052 | Seal, Steering Pinion Dust | 1 | |
| 9 | 101879401 | Bearing, Ball | 1 | |
| 10 | 101879501 | Stop Washer | 1 | |
| 11 | 101879601 | Stop Ring, C-Type | 1 | |
| 12 | 101879701 | Support Yoke | 1 | |
| 13 | 101879801 | Rack Guide Pressure Spring | 1 | |
| 14 | 101879901 | Ring, Stop, C-Type | 1 | |
| 15 | 101880001 | Bellows, Short | 1 | |
| 16 | 101880101 | Dust Seal Retaining Ring | 1 | |
| 17 | 101880201 | Inner Ball Joint Asm | 1 | |
| 18 | 101880301 | Washer, Tab | 1 | |
| 19 | N/A | Box, Steering Gear | 1 | |
| 20 | N/A | Bearing, Lower Pinion | 1 | |
| 21 | N/A | Pinion, Steering | 1 | |
| 22 | N/A | Screw, Rack Guide | 1 | |
| 23 | N/A | Rack, Steering | 1 | |
| 24 | 8990 | Tie Wrap, 8" Nylon | 2 | |
| 25 | 103653401 | Link, Drag, Male Thd | 1 | |
| 26 | 1624 | Screw, 3/8-16 X 1.50 Hex-Head Cap | 3 | |
| 27 | 334 | Washer, 3/8 Type A Flat | 3 | |
| 28 | 7555 | Nut, 1/2-20 Hex, Left-Hand Thread | 1 | |
| 29 | 8754 | Locknut, 3/8-16 Hex | 3 | |

5
G
E



REAR SUSPENSION COMPONENTS – GASOLINE VEHICLES

| ITEM | PART NO. | DESCRIPTION | QTY |
|---|-----------|--|-----|
| | | 1 2 3 4 | |
| 1 | 1010145 | Nut, 3/8-24 Hex | 4 |
| 2 | 1011415 | Kit, Shock Absorber Cushion (includes items 3 and 4) | 4 |
| 3 | 1010142 | Cushion, Shock Absorber | 2 |
| 4 | 1010144 | Retainer, Shock Absorber Cushion | 2 |
| 5 | 1012181 | Bracket, Shock Mounting, Right (Passenger) | 1 |
| 6 | 1012182 | Bracket, Shock Mounting, Left (Driver) | 1 |
| 7 | 1012303 | Bushing, Steel | 6 |
| 8 | 1012304 | Shackle, Rear Spring | 4 |
| 9 | 1013164 | Shock Absorber Kit (includes items 10 through 12) | 1 |
| 10 | 1010142 | Cushion, Shock Absorber | 8 |
| 11 | 1010144 | Retainer, Shock Absorber Cushion | 8 |
| 12 | 102588501 | Shock Absorber Rear Prv Spd | 2 |
| 13 | 101454602 | Bumper Mount | 2 |
| 14 | 1014555 | Locknut, 7/16-14 Nylon Hex | 4 |
| 15 | 1014573 | Spring Retainer | 2 |
| 16 | 1014675 | Rear Leaf Spring | 2 |
| 17 | 1014901 | Spacer, Overload Bumper | 2 |
| 18 | 1014902 | U-Bolt | 2 |
| 19 | 1015583 | Bushing, Urethane | 12 |
| 20 | 1017235 | Bumper, Jounce | 2 |
| 21 | 101900801 | Hanger, Brake Cable | 2 |
| 22 | 8754 | Locknut, 3/8-16 Hex | 6 |
| 23 | 8755 | Screw, 3/8-16 X 3.375 Hex Cap | 6 |
| <p>Note: Only the driver-side rear suspension is shown. Parts for the passenger-side rear suspension are identical except for the leaf spring/shock mounting plate.</p> | | | |

5
G
E

5

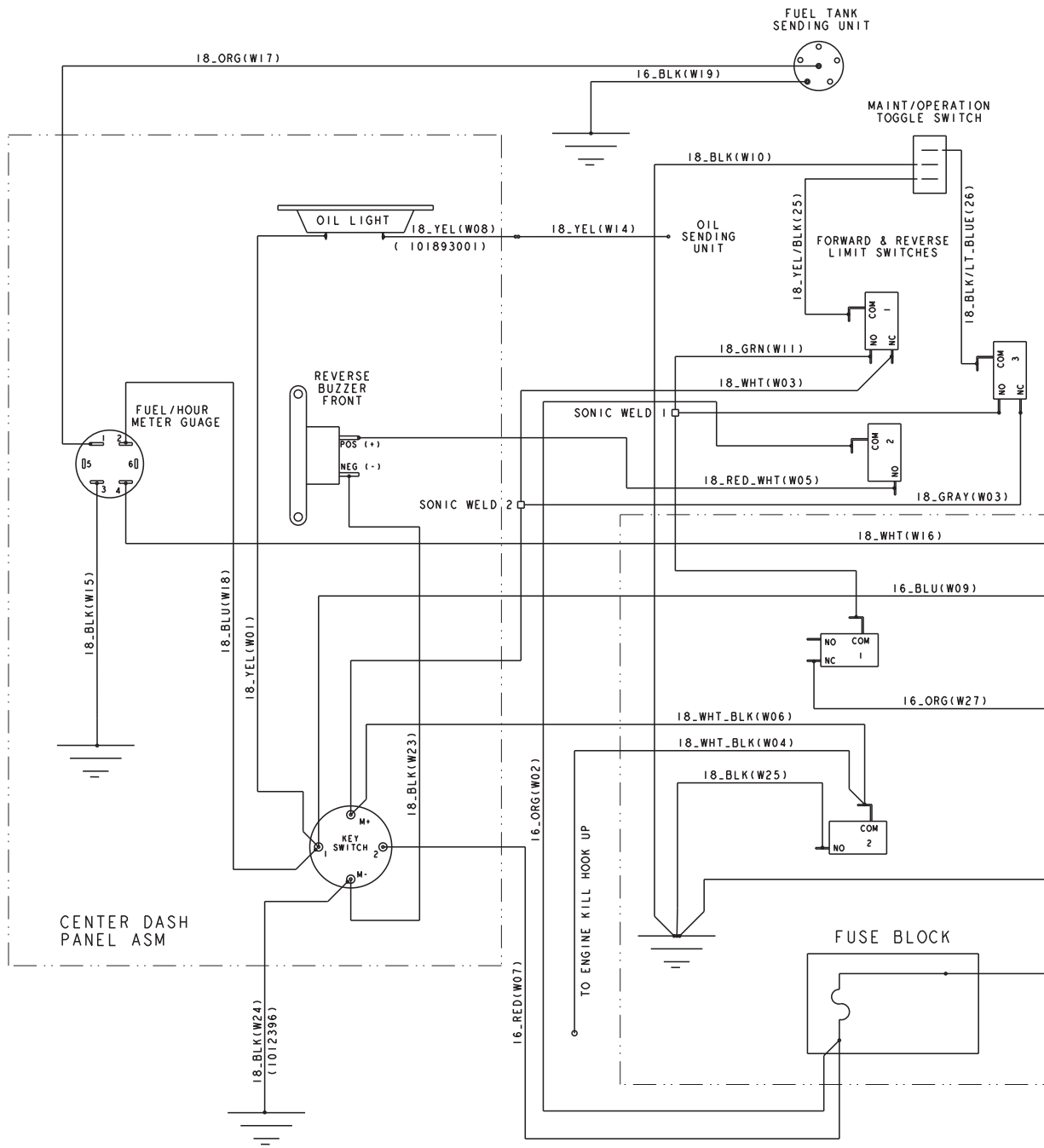
G

E

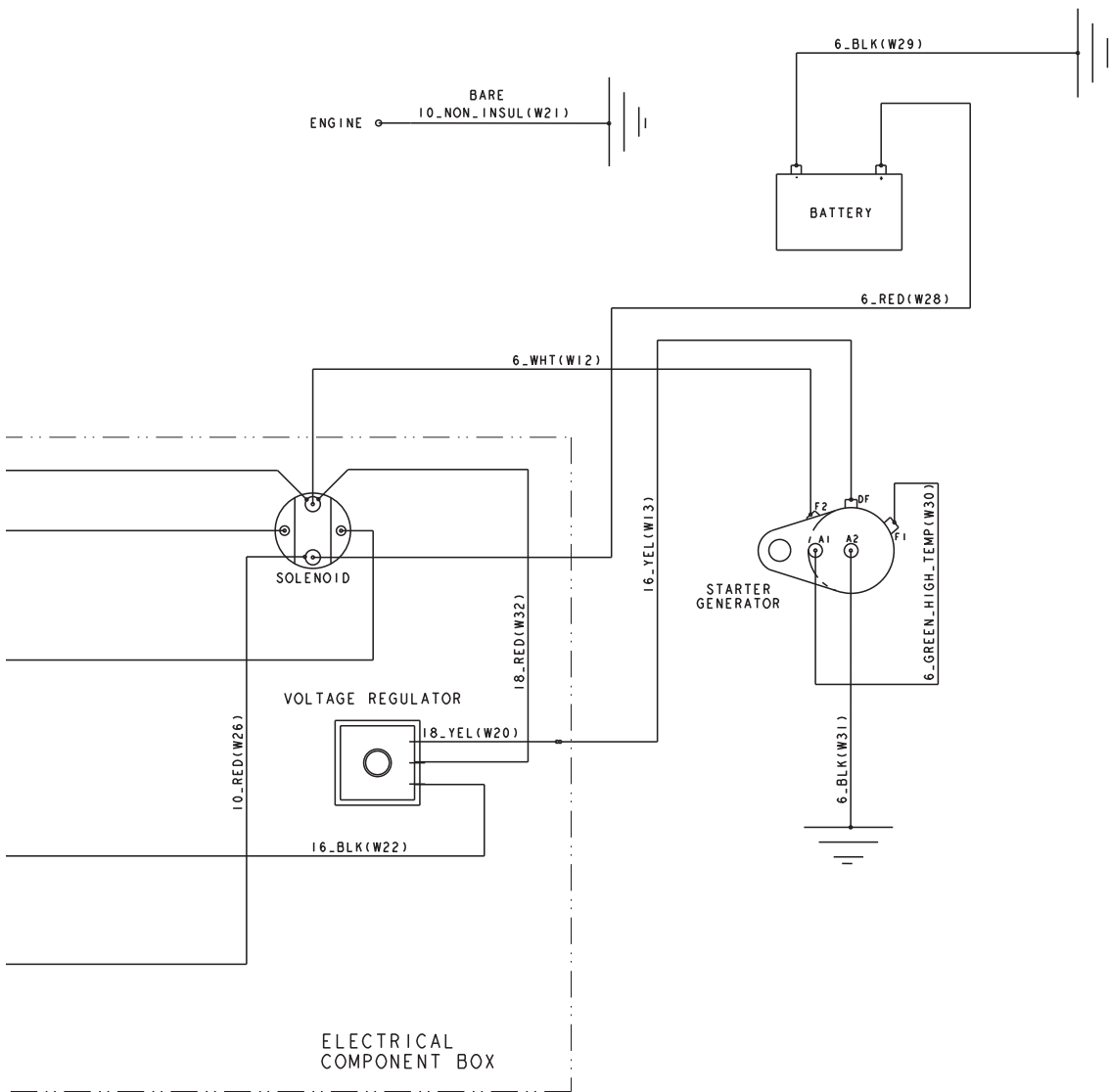
ELECTRICAL SYSTEM – GASOLINE VEHICLE

6

G



000604-001



000604-001

6

G

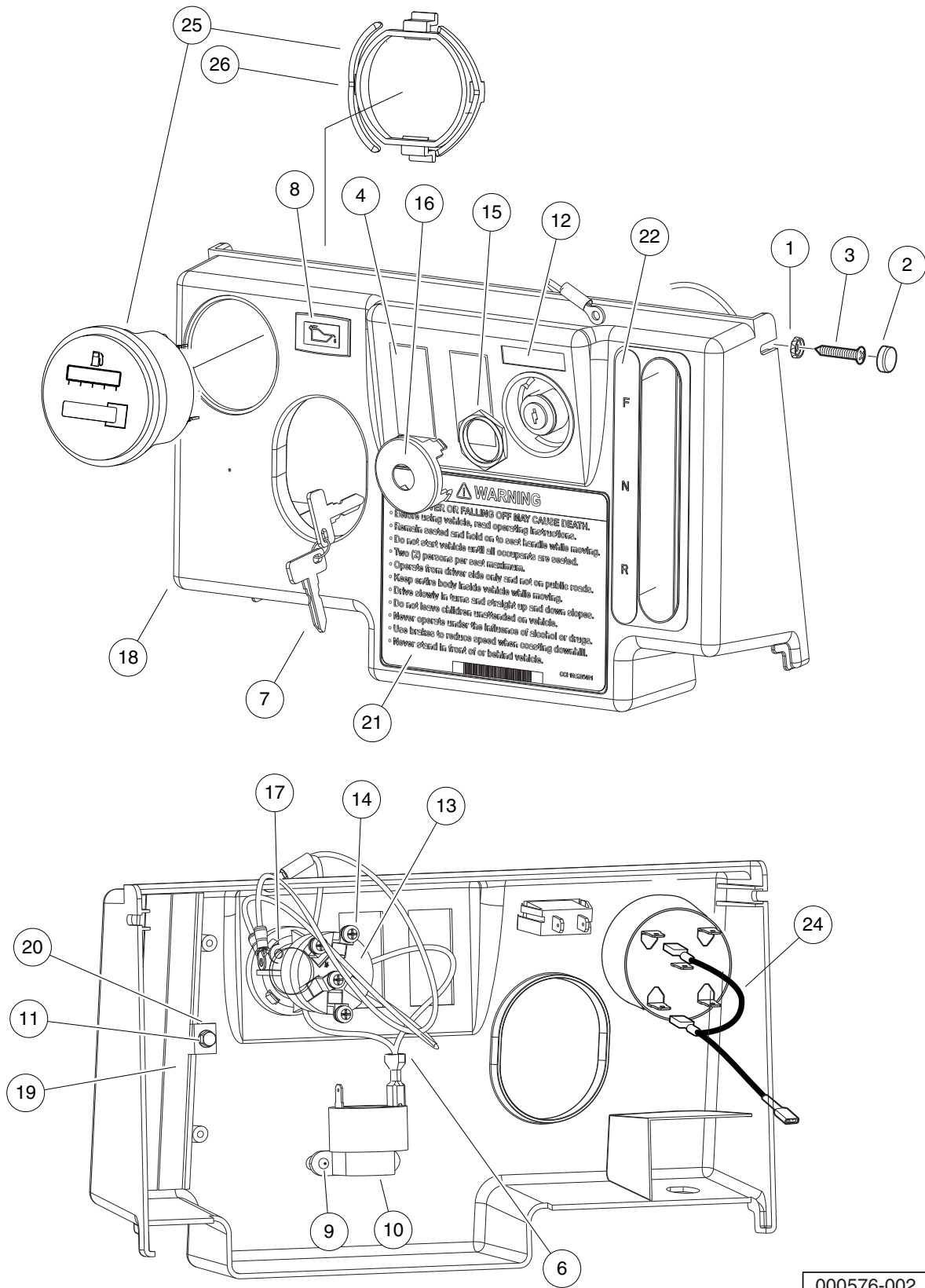
See previous two pages for illustration.

WIRING

| ITEM | PART NO. | DESCRIPTION | QTY |
|------|-----------|---|-----|
| 1 | 103197001 | 1 2 3 4 Asm, Wire Harness, CA 1, Gas | 1 |

6

G



000576-002

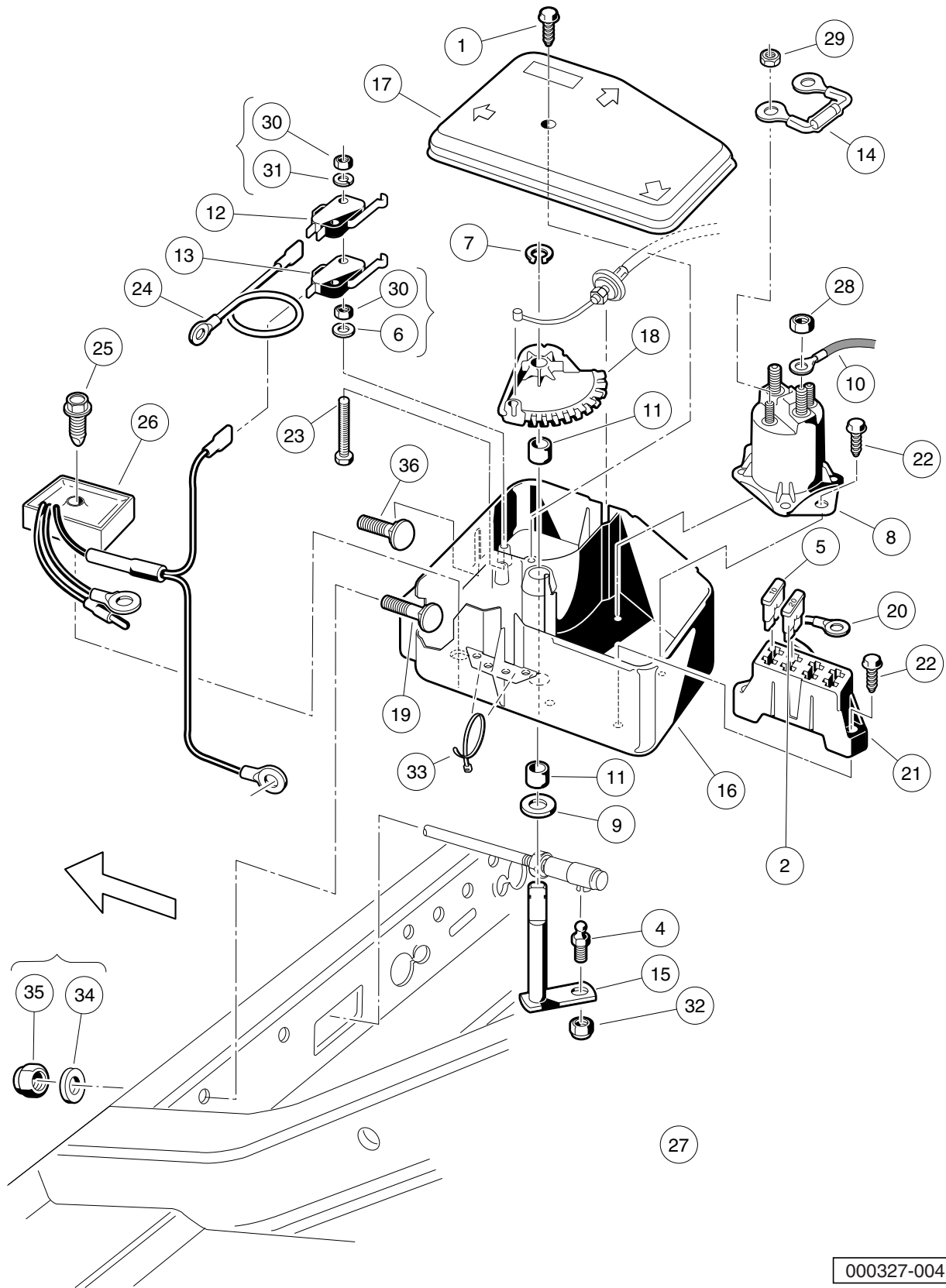
INSTRUMENT PANEL AND ELECTRICAL COMPONENTS

| ITEM | PART NO. | DESCRIPTION | QTY |
|------|-----------|--|-----|
| | | 1 2 3 4 | |
| 1 | 1011382 | Washer, #10 Pan-Head Screw | 2 |
| 2 | 1013494 | Cover, Screw Head | 2 |
| 3 | 1015528 | Screw, #10 x 1-1/4 Phillips Head | 2 |
| 4 | 103180101 | Cover, Hole, Switch, Rocker | 2 |
| 5 | N/A | Asm, Dash, Gas, Pedal-Start (Instrument Panel) (includes items 6 through 23) | 1 |
| 6 | 1012396 | Wire Assy #18 Black | 1 |
| 7 | 1012505 | Keys (set of 2) | 1 |
| 8 | 1016630 | Light, Oil | 1 |
| 9 | 1016849 | Screw, #4-24 X 0.33 Pan-Head Machine | 2 |
| 10 | 1016851 | Buzzer, Reverse (9-48 VDC) | 1 |
| 11 | 101804301 | Screw, #8 X 0.500, Hex-Head Hi-Lo | 2 |
| 12 | 101825101 | Decal, Off/On | 1 |
| 13 | 101826301 | Key Switch, 12-Volt, Off/On | 1 |
| 14 | 101830601 | Screw and Washer Assembly | 4 |
| 15 | 101830701 | Nut, Key Switch | 1 |
| 16 | 101834502 | Cap, Black Key Switch | 1 |
| 17 | 101851101 | Washer, Key Switch | 1 |
| 18 | 102977001 | Panel, Dash, Center, Gas (Instrument Panel) | 1 |
| 19 | 103199001 | Brush, Closeout, FNR | 2 |
| 20 | 103199101 | Washer, Retaining, Brush, FNR | 2 |
| 21 | 103205401 | Decal, Warning, Rollover, Utl | 1 |
| 22 | 103210201 | Decal, Forward/Reverse, Gas | 1 |
| 23 | 103390801 | Kit, F-h Replmnt Utl Pre2007 (includes items 24 through 27) | 1 |
| 24 | 103348501 | Asm Wire Meter F-h Jumper | 1 |
| 25 | 103348601 | Gauge, Fuel-hour,sep Gnd,utl (includes item 26) | 1 |
| 26 | 103348201 | Clip, Meter, Round | 1 |
| 27 | N/A | Instr, F-h Replmnt Pre2007 | 1 |

6

G

6
G



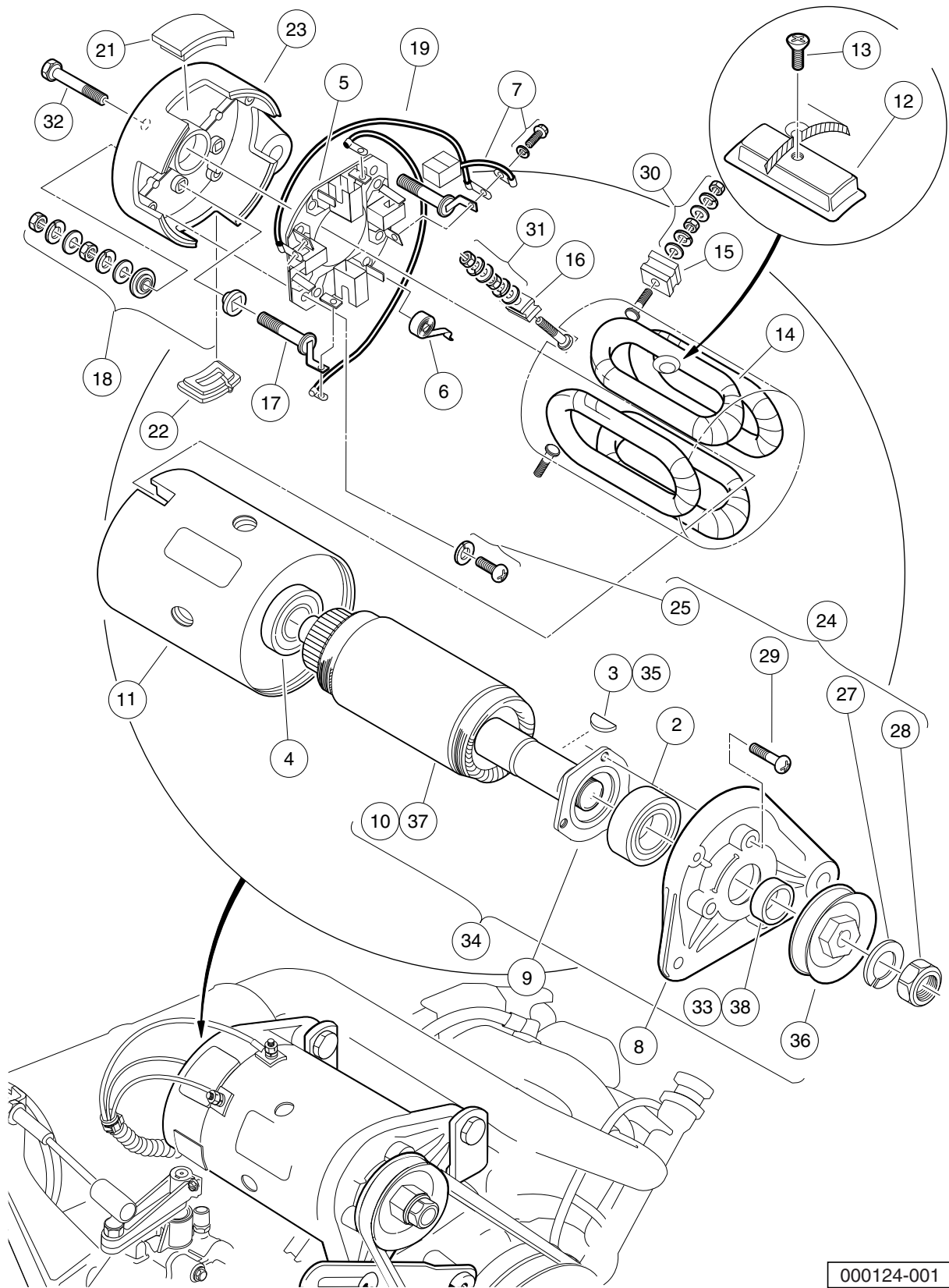
000327-004

ELECTRICAL COMPONENT BOX

| ITEM | PART NO. | DESCRIPTION | QTY |
|------|-----------|---|-----|
| | | 1 2 3 4 | |
| 1 | 1015752 | Screw, #12-16 X 0.625 Hi-Lo | 1 |
| 2 | 1016423 | Fuse, 20-Amp | 1 |
| 3 | N/A | Asm, Electrical Component Box (includes items 4 through 33) | 1 |
| 4 | 1010954 | Stud, 1/4-28 X 0.560 Ball | 1 |
| 5 | 1012295 | Fuse, 10-Amp | 1 |
| 6 | 1012431 | Washer, #4 Flat | 2 |
| 7 | 1013589 | Ring, 0.338" Internal Retaining | 1 |
| 8 | 1013609 | Solenoid, 12-Volt | 1 |
| 9 | 1014065 | Washer, 0.38" ID Delrin Flat | 1 |
| 10 | 1014119 | Wire Assembly #6 Red | 1 |
| 11 | 1014145 | Bushing, Secondary Weight, Split | 2 |
| 12 | 1014807 | Switch, Limit | 1 |
| 13 | 1014808 | Switch, Limit | 1 |
| 14 | 1014948 | Diode | 1 |
| 15 | 1015345 | Bell Crank and Shaft Assembly | 1 |
| 16 | 1015371 | Box, Electrical Component | 1 |
| 17 | 1015372 | Cover, Electric Box | 1 |
| 18 | 1015373 | Cam, Electric Box | 1 |
| 19 | 1015405 | Bolt, Carriage, 5/16-18 X 2.0 | 1 |
| 20 | 1015737 | Wire Assy, #10 Red | 1 |
| 21 | 1015741 | Fuse Block | 1 |
| 22 | 1015752 | Screw, #12-16 X 0.625 Hi-Lo | 4 |
| 23 | 1015878 | Screw, #4-40 Hex Head Machine | 2 |
| 24 | 1016401 | Wire Assy, #16 Orange | 1 |
| 25 | 101856102 | Screw, 1/4-15 X 1.50 Hi-lo Hex | 1 |
| 26 | 102711201 | Voltage Regulator | 1 |
| 27 | 103197001 | Asm, Wire Harness, CA 1, Gas | 1 |
| 28 | 1242 | Nut, 5/16-18 Hex | 2 |
| 29 | 7893 | Nut, #10-32 Hex | 2 |
| 30 | 8057 | Nut, #4-40 Hex Machine | 4 |
| 31 | 8058 | Lockwasher, #4 Split | 2 |
| 32 | 8717 | Locknut, 1/4-28 Nylon Insert | 1 |
| 33 | 8990 | Tie Wrap, 8" Nylon | 2 |
| 34 | 1241 | Washer, 5/16 Type A Flat | 2 |
| 35 | 7473 | Locknut, 5/16-18 Nylon Insert | 2 |
| 36 | 7818 | Bolt, Carriage, 5/16-18 X 1.5 | 1 |

6
G

6
G



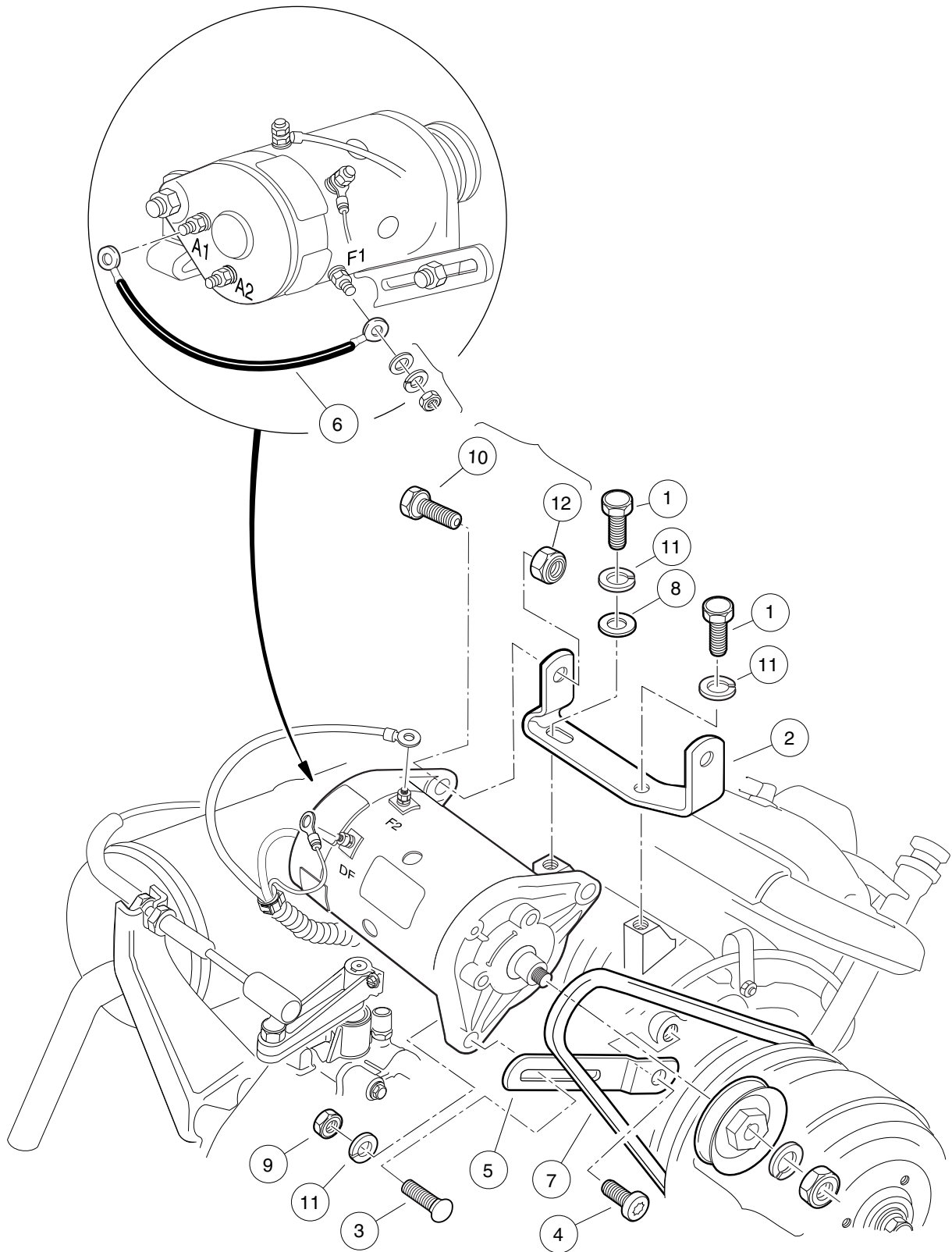
000124-001

STARTER/GENERATOR ASSEMBLY MODEL G425419 – GASOLINE VEHICLES

| ITEM | PART NO. | DESCRIPTION | QTY |
|--|-----------|--|-----|
| | | 1 2 3 4 | |
| 1 | 101833701 | Starter/Generator (cw) (includes items 2 through 33) | 1 |
| 2 | 1013001 | Bearing, Output Shaft Ball | 1 |
| 3 | 1013003 | Key, Starter/Generator | 1 |
| 4 | 1013005 | Bearing, Ball | 1 |
| 5 | 101301102 | Brush Holder Assembly (cw) (includes item 6) | 1 |
| 6 | 101878101 | Brush Spring Set | 4 |
| 7 | 101869302 | Brush and Screw Set (cw) | 1 |
| 8 | 101874901 | Front Bracket | 1 |
| 9 | 101875001 | Retainer | 1 |
| 10 | 101875101 | Armature | 1 |
| 11 | 101875201 | Field Coil Housing | 1 |
| 12 | 101875301 | Pole Set | 1 |
| 13 | 101875401 | Screw Set | 1 |
| 14 | 101875501 | Field Stator Coil Assembly | 1 |
| 15 | 101875601 | F Insulator Set | 2 |
| 16 | 101875701 | DF Insulator | 1 |
| 17 | 101875802 | A Connector (cw) | 1 |
| 18 | 101876001 | Screw and Mold Assembly | 2 |
| 19 | 101876202 | Brush Connector Assembly (cw) | 2 |
| 20 | 101876301 | Cover Set (includes items 21 and 22) | 1 |
| 21 | 1012991 | Brush Inspection Port Cover | 3 |
| 22 | 1017653 | Brush Port Cover w/Drain | 1 |
| 23 | 101876402 | Rear Bracket (cw) | 1 |
| 24 | 101876501 | Nut and Screw Set (includes items 25 through 29) | 1 |
| 25 | 101896501 | Brush Holder Asm Screw | 2 |
| 26 | N/A | Washer, M5 Flat | 1 |
| 27 | N/A | Washer, M14 Lock | 1 |
| 28 | N/A | Nut, Hex, M14 x 2 | 1 |
| 29 | N/A | Screw, M5 x 0.8 x 18mm | 3 |
| 30 | 101877601 | Nut and Washer Set | 2 |
| 31 | 101877701 | Nut and Washer Set | 1 |
| 32 | 101879001 | Through Bolt Set | 2 |
| 33 | 101939901 | Spacer | 1 |
| 34 | 101875102 | Armature Asm Conversion Kit (includes items 35 through 38) | 1 |
| 35 | 1013003 | Key, Starter/Generator | 1 |
| 36 | 1014289 | Pulley, Starter/Generator | 1 |
| 37 | 101875101 | Armature | 1 |
| 38 | 101939901 | Spacer | 1 |
| Note: Item 36 will ONLY fit Model G425419 Starter/Generator. | | | |

6
G

6
G



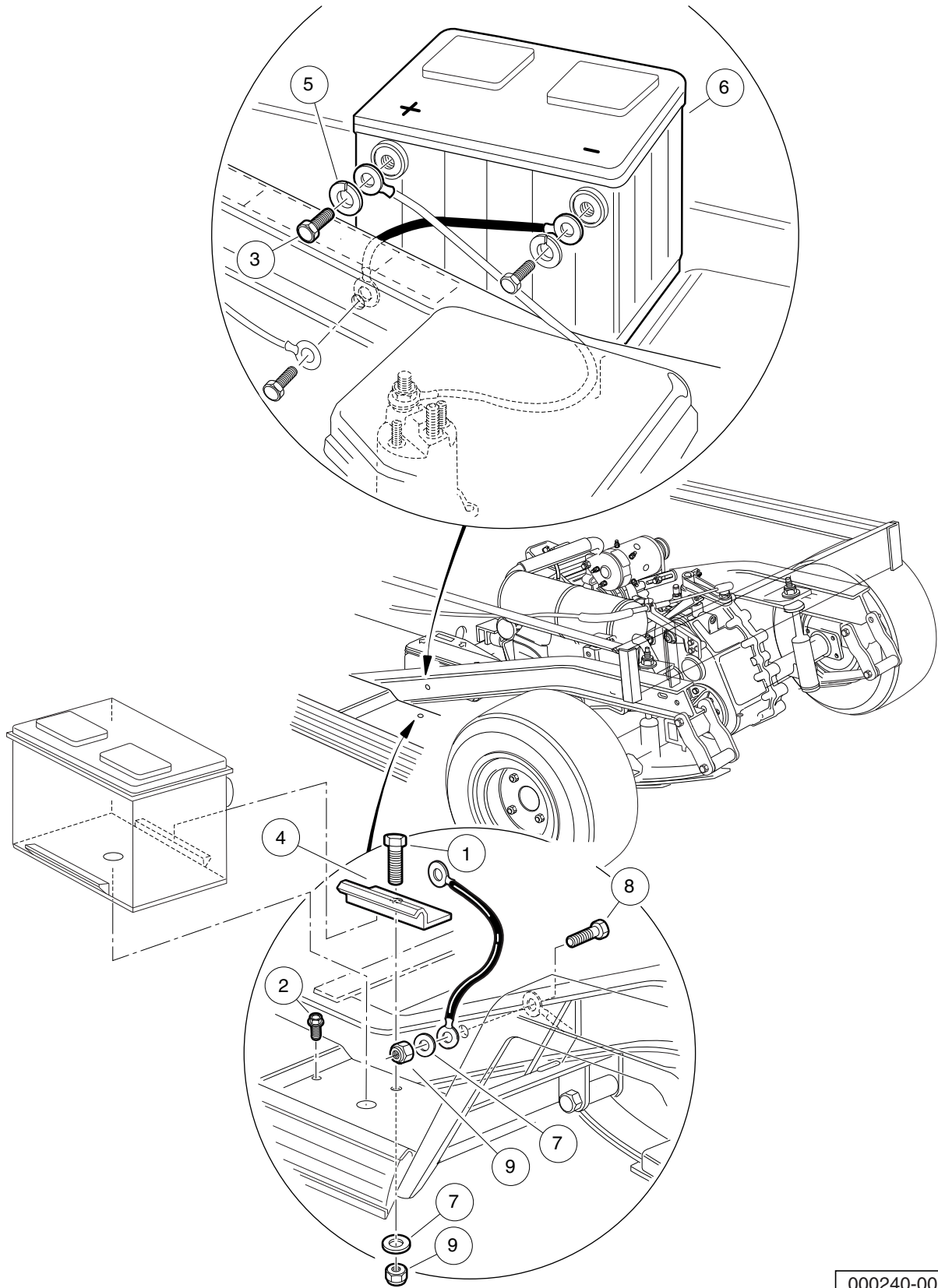
000239-001

FE350 STARTER/GENERATOR MOUNTING – GASOLINE VEHICLES

| ITEM | PART NO. | DESCRIPTION | QTY |
|------|-----------|---|-----|
| | | 1 2 3 4 | |
| 1 | 1012830 | Screw, M8-125 X 22 Hex-Head | 2 |
| 2 | 101524002 | Bracket, Starter/Generator Mounting | 1 |
| 3 | 1015932 | Bolt, Carriage, 5/16-18 | 1 |
| 4 | 1016074 | Screw, M8-1.25 X 18mm Torx | 1 |
| 5 | 1016883 | Bracket, Starter/Generator Adjustment | 1 |
| 6 | 101837301 | Wire Assy, #6 Green | 1 |
| 7 | 101916701 | V-Belt | 1 |
| 8 | 1241 | Washer, 5/16 Type A Flat | 1 |
| 9 | 1242 | Nut, 5/16-18 Hex | 1 |
| 10 | 705 | Screw, Cap-hex Hd 3/8-16x1.25 | 2 |
| 11 | 7174 | Lockwasher, 5/16 Split | 3 |
| 12 | 8754 | Locknut, 3/8-16 Hex | 2 |

6
G

6
G



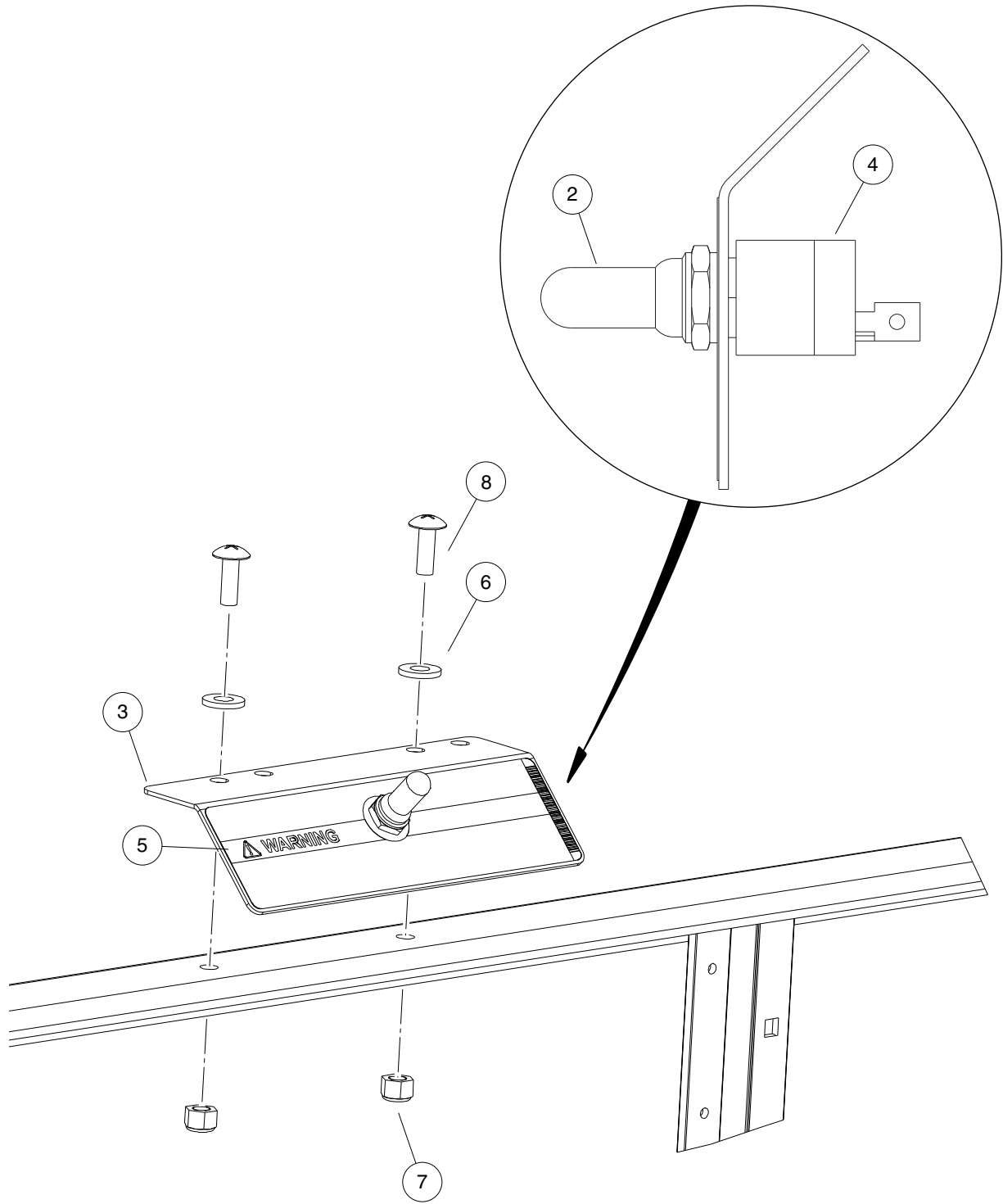
000240-001

BATTERY – GASOLINE VEHICLE

| ITEM | PART NO. | DESCRIPTION | QTY |
|------|-----------|---|-----|
| | | 1 2 3 4 | |
| 1 | 1010934 | Screw, 5/16-18 X 1.00 Hex Cap | 1 |
| 2 | 1014288 | Screw, 5/16-18 X 0.75 Thread-Forming | 1 |
| 3 | 1014375 | Screw, 3/8-16 X 0.50 Stainless Steel Hex-Head | 2 |
| 4 | 101898001 | Clamp, Battery | 1 |
| 5 | 102355301 | Lockwasher, #10 Split Ss | 2 |
| 6 | N/A | Battery, Start, 12v | 1 |
| 7 | 1241 | Washer, 5/16 Type A Flat | 2 |
| 8 | 7173 | Screw, 5/16-18 X 0.75 Hex-Head Cap | 1 |
| 9 | 7473 | Locknut, 5/16-18 Nylon Insert | 2 |

6
G

6
G



000755-001

OPERATION AND MAINTENANCE SWITCH

| ITEM | PART NO. | DESCRIPTION | QTY |
|------|-----------|--|-----|
| | | 1 2 3 4 | |
| 1 | N/A | Switch, Operation/Maintenance (includes items 2 through 5) | 1 |
| 2 | 101908401 | Boot, Switch | 1 |
| 3 | 101922501 | Bracket, Tow/Run Switch Mounting | 1 |
| 4 | 103198401 | Switch, Toggle, SPDT | 1 |
| 5 | 103205501 | Decal, Run/Service Switch | 1 |
| 6 | 332 | Washer, 1/4 Type A Narrow Flat | 2 |
| 7 | 8233 | Locknut, 1/4-20 Nylon Insert | 2 |
| 8 | 8248 | Screw, 1/4-20 X 0.75 Truss-Head Machine | 2 |

6
G

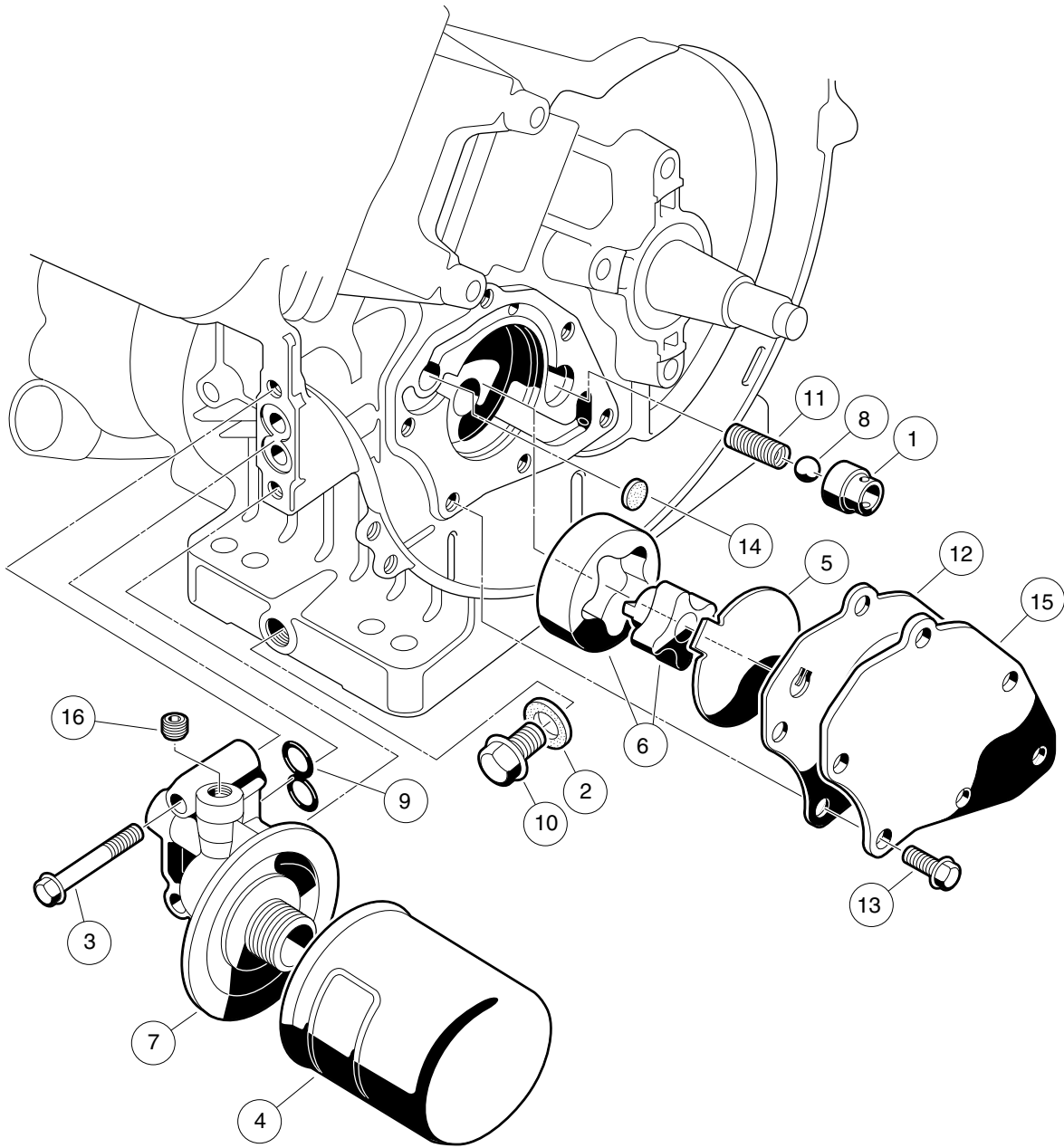
6

G

FE350 ENGINE – S27

7

G



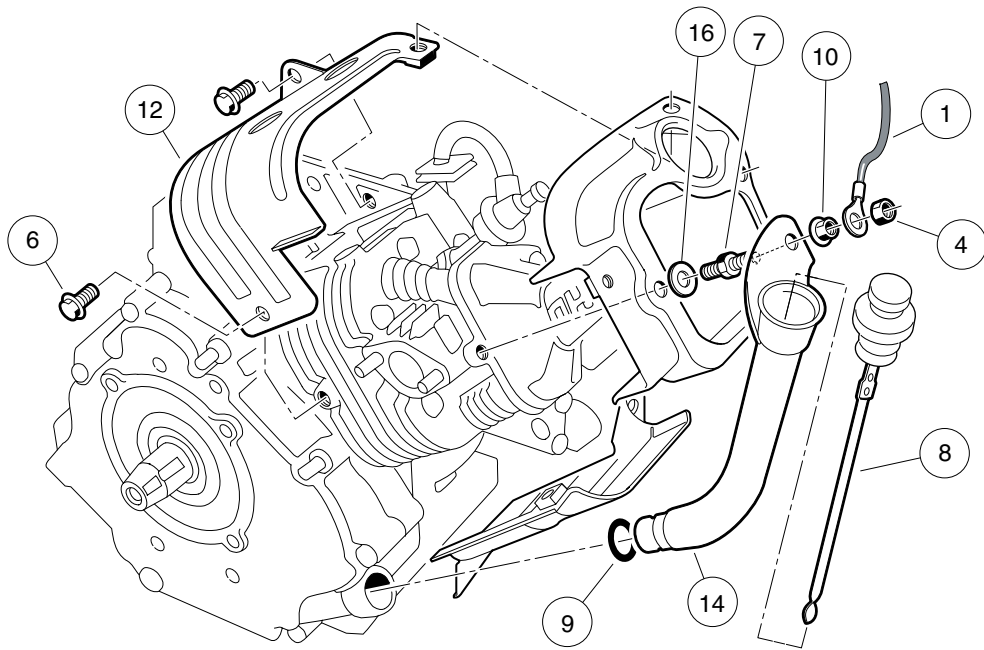
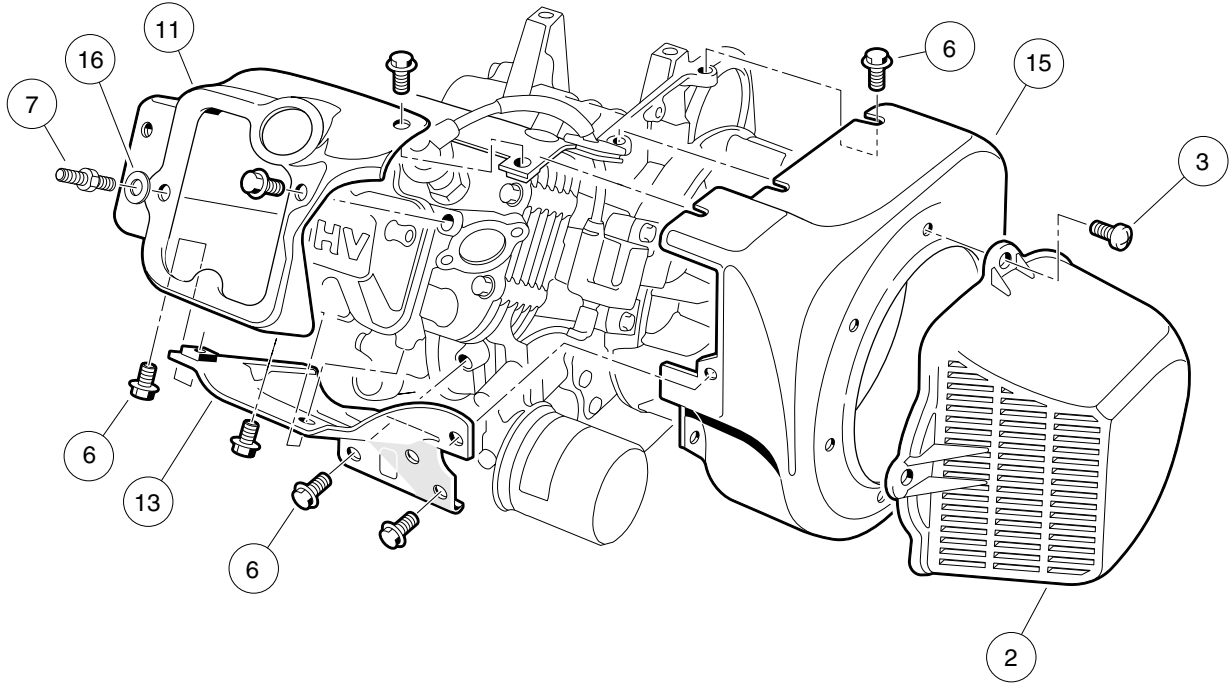
000203-001

FE350 ENGINE – OIL CIRCULATION

| ITEM | PART NO. | DESCRIPTION | QTY |
|------|-----------|------------------------------------|-----|
| | | 1 2 3 4 | |
| 1 | 1016429 | Seat, Value Oil Press Relief | 1 |
| 2 | 1016432 | Gasket, Drain Plug | 1 |
| 3 | 1016457 | Bolt, Flange Head | 2 |
| 4 | 1016467 | Filter, Oil | 1 |
| 5 | 1016473 | Plate, Oil Pump | 1 |
| 6 | 101648203 | Oil Pump And Rotor | 1 |
| 7 | 1016502 | Bracket, Oil Filter Mount | 1 |
| 8 | 1016537 | Ball, Steel, Press, Relief | 1 |
| 9 | 1016570 | O-Ring | 1 |
| 10 | 1016576 | Plug, Drain | 1 |
| 11 | 1016581 | Spring | 1 |
| 12 | 1017442 | Gasket | 1 |
| 13 | 1017456 | Bolt, Flanged | 6 |
| 14 | 1017458 | Filter | 1 |
| 15 | 1017460 | Cover, Pump | 1 |
| 16 | 1017507 | Plug | 2 |

7
G

7
G

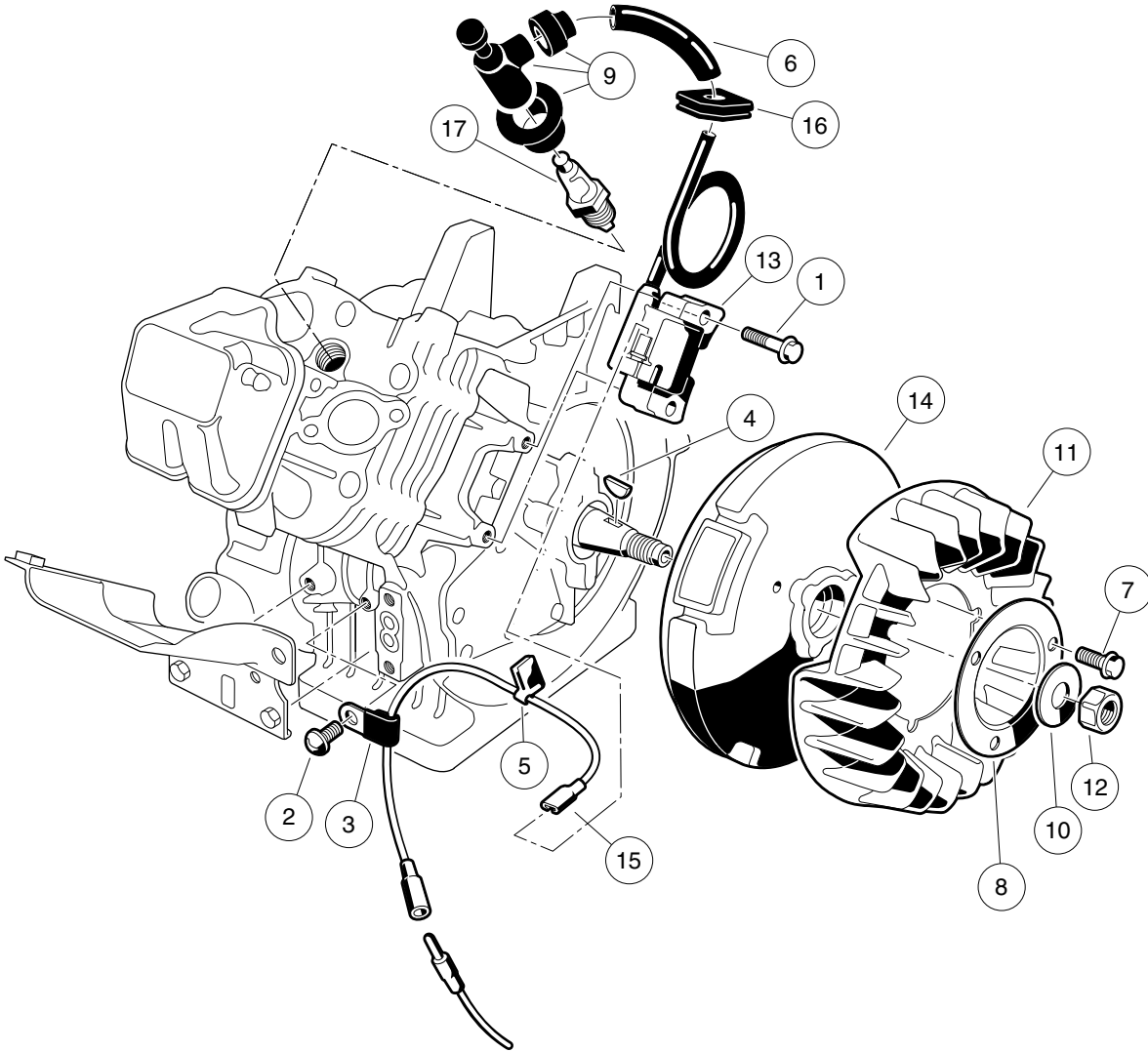


000201-002

FE350 ENGINE WITHOUT ACR (AUTOMATIC COMPRESSION RELEASE) – SHROUDS AND BRACKETS

| ITEM | PART NO. | DESCRIPTION | QTY |
|------|-----------|---|-----|
| | | 1 2 3 4 | |
| 1 | 1015332 | Wire Assembly, #10, Uninsulated | 1 |
| 2 | 1015649 | Shroud, Fan | 1 |
| 3 | 1015969 | Screw, M6-1.00 X 10mm Pan Hd | 4 |
| 4 | 101887601 | Locknut, M6-1.00 Nylon Insert | 1 |
| 5 | 103386202 | Engine, FE350 S27 (includes items 6 through 16) | 1 |
| 6 | 1016456 | Bolt, Flange Head, M6 x 1 x 12 mm | 16 |
| 7 | 1016507 | Bolt, Two-Ended | 1 |
| 8 | 1016531 | Dipstick | 1 |
| 9 | 1016539 | O-Ring | 1 |
| 10 | 1016547 | Nut, M6 Flange | 1 |
| 11 | 1017474 | Shroud, Engine | 1 |
| 12 | 1017475 | Shroud, Engine | 1 |
| 13 | 1017476 | Shroud, Engine | 1 |
| 14 | 1017486 | Tube, Oil Filler | 1 |
| 15 | 101916101 | Housing, FE350 Fan | 1 |
| 16 | N/A | Washer, 6mm Flat | 1 |

7
G

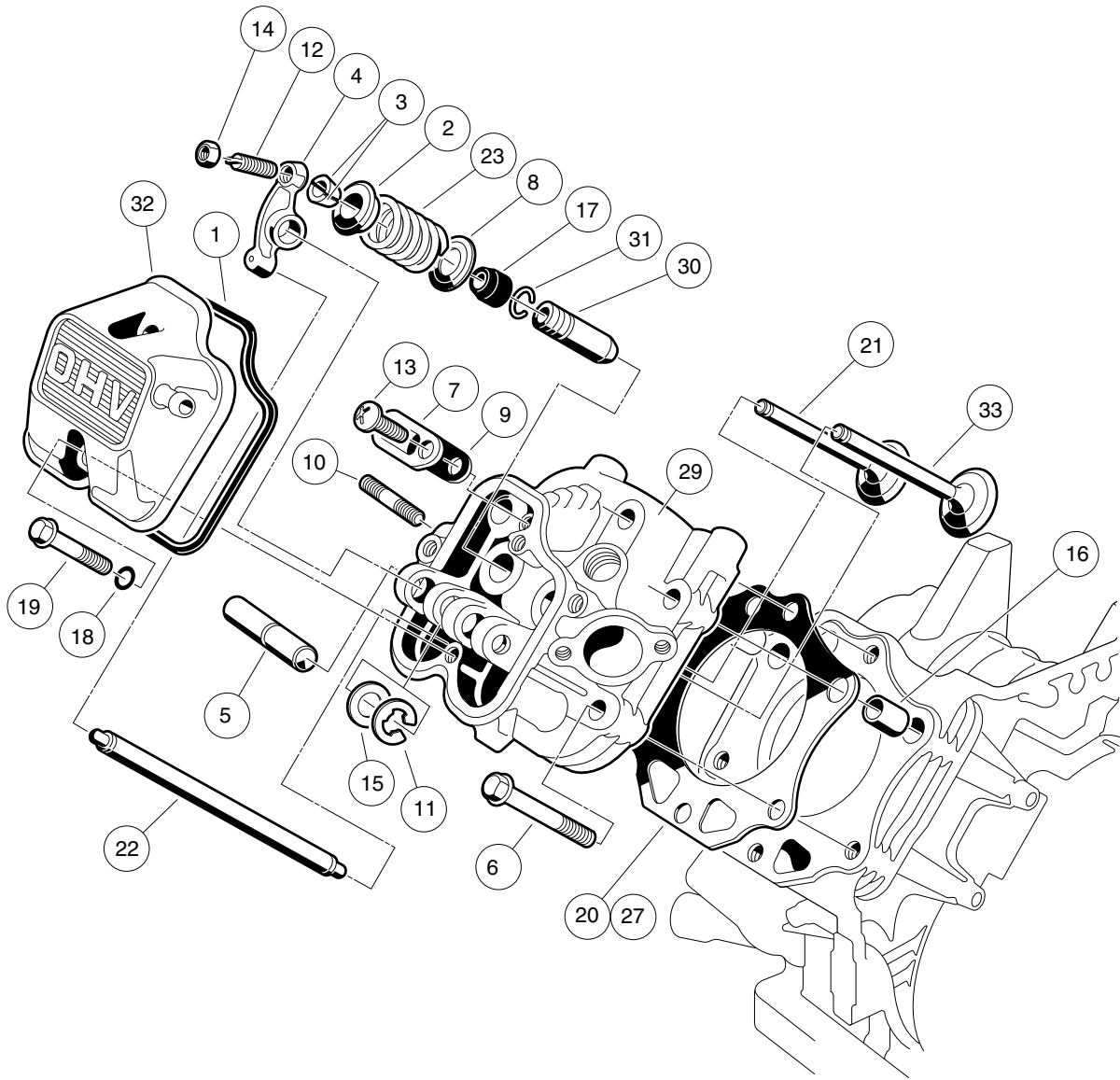


000202-002

AS26 FE350 ENGINE – IGNITION COMPONENTS AND FLYWHEEL

| ITEM | PART NO. | DESCRIPTION | QTY |
|------|-----------|-------------------------------|-----|
| | | 1 2 3 4 | |
| 1 | 1016455 | Bolt, Flange Head | 2 |
| 2 | 1016544 | Screw | 1 |
| 3 | 1016561 | Clamp | 1 |
| 4 | 1016562 | Key | 1 |
| 5 | 1016587 | Clamp | 1 |
| 6 | 1016588 | Tube, 7mm X 10mm X 70mm | 1 |
| 7 | 1017448 | Bolt, Flanged | 3 |
| 8 | 1017455 | Plate, Flywheel Fan | 1 |
| 9 | 1017463 | Cap Asm Plug | 1 |
| 10 | 1017490 | Washer, Flat | 1 |
| 11 | 101916301 | Fan (cw) | 1 |
| 12 | N/A | Nut, Hex, 18 mm Fine | 1 |
| 13 | 103616501 | Ignition, Coil Asm | 1 |
| 14 | 103616601 | Flywheel Comp | 1 |
| 15 | 103616701 | Ignition, Wire Lead | 1 |
| 16 | 103616801 | Ignition, Grommet | 1 |
| 17 | AM1232301 | Spark Plug, BPR2ES | 1 |

7
G



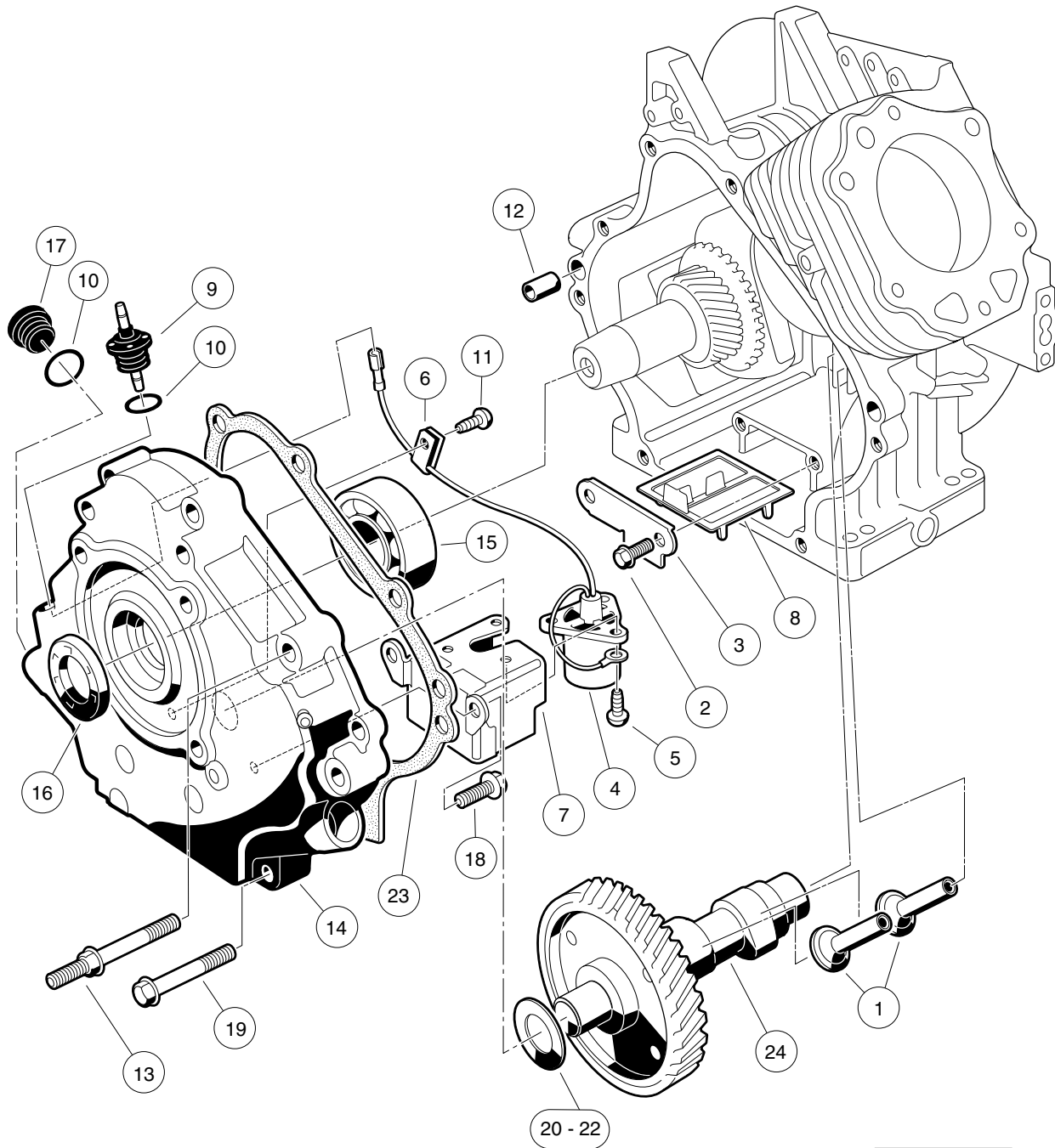
000204-002

AS26 FE350 ENGINE – CYLINDER HEAD

| ITEM | PART NO. | DESCRIPTION | QTY |
|---|-----------|---|-----|
| | | 1 2 3 4 | |
| 1 | 1016436 | Gasket, Rocker Case | 1 |
| 2 | 1016449 | Retainer, Valve Spring | 2 |
| 3 | 1016450 | Collet | 4 |
| 4 | 1016451 | Arm, Rocker | 2 |
| 5 | 1016452 | Shaft, Rocker | 1 |
| 6 | 1016458 | Bolt, Flange Head, M8 x 1.25 x 45 mm | 6 |
| 7 | 1016474 | Plate | 1 |
| 8 | 1016479 | Seat, Spring | 2 |
| 9 | 1016483 | Valve | 1 |
| 10 | 1016489 | Stud, Two-Ended, M8-1.25 | 2 |
| 11 | 1016517 | Circlip, Type-E | 1 |
| 12 | 1016542 | Screw | 2 |
| 13 | 1016544 | Screw | 1 |
| 14 | 1016545 | Nut | 2 |
| 15 | 1016549 | Washer, 12.1x19x1.8 | 1 |
| 16 | 1016563 | Pin | 2 |
| 17 | 1016566 | Seal, Oil | 2 |
| 18 | 1016569 | O-Ring | 2 |
| 19 | 1016583 | Bolt, 6x35 | 2 |
| 20 | 1017434 | Gasket, Head | 1 |
| 21 | 1017445 | Valve, Exhaust | 1 |
| 22 | 1017454 | Rod, Push | 2 |
| 23 | 1017473 | Spring, Engine Valve | 2 |
| 24 | 102304801 | Kit, Gasket, FE350 (includes items 25 through 28) | 1 |
| 25 | 1016440 | Gasket, Engine to Insulator | 1 |
| 26 | 1016904 | Gasket, Exhaust | 1 |
| 27 | 1017434 | Gasket, Head | 1 |
| 28 | 1017443 | Gasket, Crankcase Cover | 1 |
| 29 | 103615601 | Cylinder Head, Fe350 S26, S27 | 1 |
| 30 | 103615701 | Case, Rocker, Fe350 S26 S27 | 1 |
| 31 | 103616301 | Valve, Intake, Hard Tip | 1 |
| Note: Item 24 is not a component of the FE350 engine. | | | |

7

G

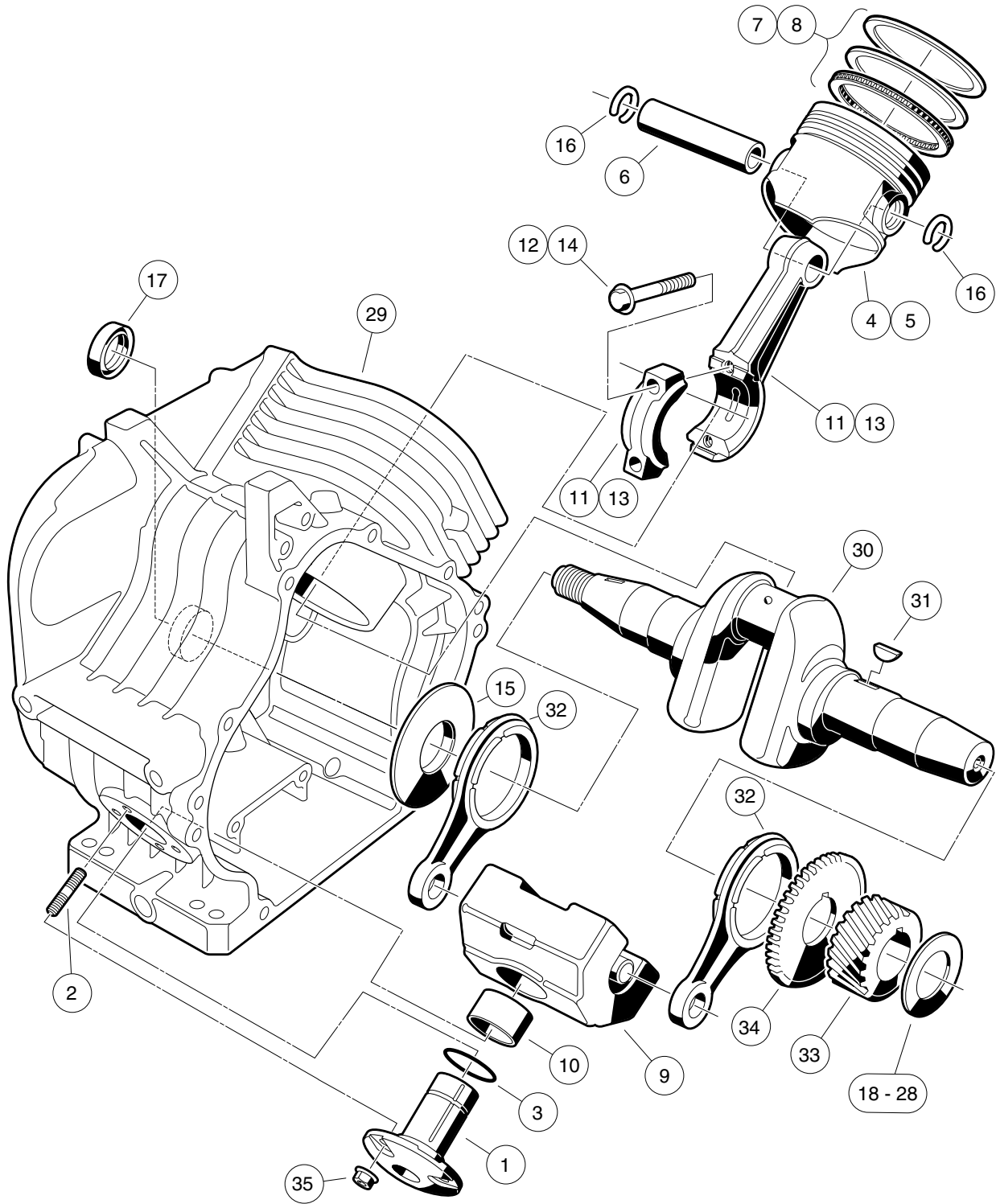


000205-003

AS26 FE350 ENGINE – CRANKCASE AND CRANKSHAFT OIL SENSOR

| ITEM | PART NO. | DESCRIPTION | QTY |
|------|-----------|--|-----|
| | | 1 2 3 4 | |
| 1 | 1016453 | Tappet | 2 |
| 2 | 1016454 | Bolt, Flange Head, M5 x 0.8 x 8 mm | 2 |
| 3 | 1016472 | Plate, Oil Filter Screen | 1 |
| 4 | 1016494 | Sensor, Oil Level | 1 |
| 5 | 1016496 | Screw, Cross Pan-Head, M4 x 0.7 x 8 mm | 3 |
| 6 | 1016506 | Clamp | 1 |
| 7 | 1016510 | Bracket, Switch, Oil Level | 1 |
| 8 | 1016521 | Screen, Oil Filter | 1 |
| 9 | 1016535 | Connector, Cord | 1 |
| 10 | 1016538 | O-Ring | 2 |
| 11 | 1016544 | Screw | 1 |
| 12 | 1016564 | Pin | 2 |
| 13 | 1016584 | Bolt, Two-Ended, M8 x 1.25 x 69 mm | 2 |
| 14 | 1017472 | Cover Crankcase | 1 |
| 15 | 1017487 | Bearing, Ball | 1 |
| 16 | 1017504 | Seal, Oil | 1 |
| 17 | 1017508 | Plug | 1 |
| 18 | 1017513 | Bolt Switch Bracket | 2 |
| 19 | 1017514 | Screw, M8-1.25 X 45mm Hex | 6 |
| 20 | 101751801 | Shim, 0.3 | 1 |
| 21 | 101751802 | Shim, 0.4 | 1 |
| 22 | 101751803 | Shim, 0.5 | 1 |
| 23 | 103615901 | Gasket, Crankcase Cover | 1 |
| 24 | 103616401 | Camshaft Comp | 1 |

7
G



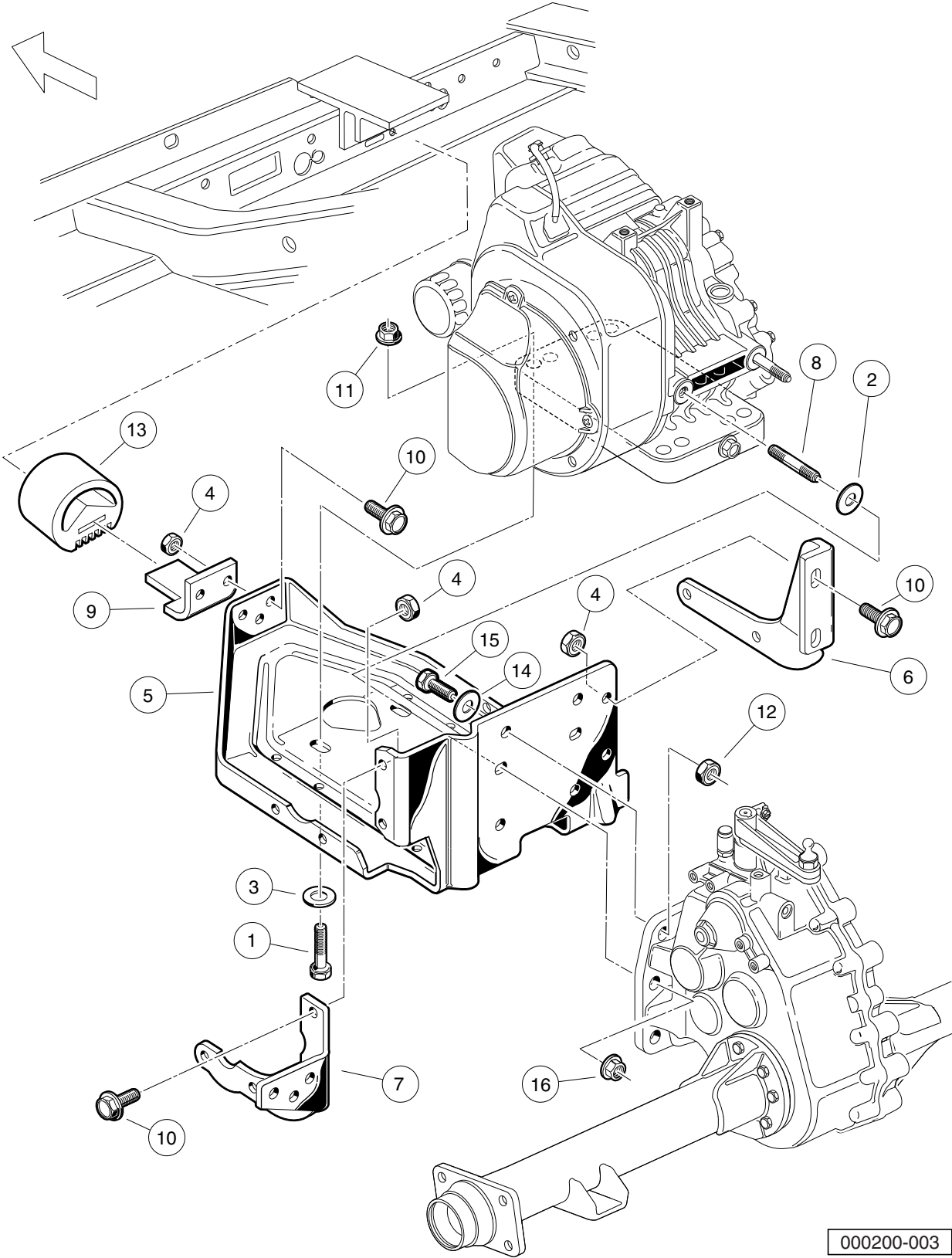
000206-001

AS26 FE350 ENGINE – CRANKCASE AND CRANKSHAFT

| ITEM | PART NO. | DESCRIPTION | QTY |
|------|-----------|--|-----|
| | | 1 2 3 4 | |
| 1 | 1016470 | Shaft, Guide, Counterbalance | 1 |
| 2 | 1016541 | Stud, 6x14 | 4 |
| 3 | 1016571 | O-Ring | 1 |
| 4 | 101744901 | Piston, Standard | 1 |
| 5 | 101744902 | Piston, 0.50 mm Oversize | 1 |
| 6 | 1017450 | Pin, Piston | 1 |
| 7 | 101745101 | Ring Set, Standard Piston | 1 |
| 8 | 101745102 | Ring Set, Piston, 0.50 mm Oversize | 1 |
| 9 | 1017453 | Fe400 Counterbalance Weight (includes item 10) | 1 |
| 10 | 1017510 | Bearing, Plain | 1 |
| 11 | 101745701 | Asm, Con. Rod Std (includes item 12) | 1 |
| 12 | 1017512 | Bolt | 2 |
| 13 | 101745702 | Rod Assembly Connecting Rod 0.5mm (includes item 14) | 1 |
| 14 | 1017512 | Bolt | 2 |
| 15 | 1017501 | Spacer | 1 |
| 16 | 1017502 | Snap Ring | 2 |
| 17 | 1017503 | Seal, Oil | 1 |
| 18 | 101773301 | Shim, Crankshaft, 1.18mm | 1 |
| 19 | 101773302 | Shim, Crankshaft, 1.25mm | 1 |
| 20 | 101773303 | Shim, Crankshaft, 1.32mm | 1 |
| 21 | 101773304 | Shim, Crankshaft, 1.39mm | 1 |
| 22 | 101773305 | Shim, Crankshaft, 1.46mm | 1 |
| 23 | 101773306 | Shim, Crankshaft, 1.53mm | 1 |
| 24 | 101773307 | Shim, Crankshaft, 1.60mm | 1 |
| 25 | 101773308 | Shim, Crankshaft, 1.67mm | 1 |
| 26 | 101773309 | Shim, Crankshaft, 1.74mm | 1 |
| 27 | 101773310 | Shim, Crankshaft, 1.11mm | 1 |
| 28 | 101773311 | Shim, Crankshaft, 1.81mm | 1 |
| 29 | 103615801 | Crankcase, Fe350 S26 S27 | 1 |
| 30 | N/A | Crankshaft, Complete (includes items 31 through 34) | 1 |
| 31 | 1016562 | Key | 1 |
| 32 | 1017471 | Rod | 2 |
| 33 | N/A | Gear, Helical | 1 |
| 34 | N/A | Gear, Spur | 1 |
| 35 | 103616201 | Nut, M6 Flange | 4 |

7
G

7
G



000200-003

FE350 ENGINE MOUNTING

| ITEM | PART NO. | DESCRIPTION | QTY |
|------|-----------|---------------------------------------|-----|
| | | 1 2 3 4 | |
| 1 | 1010577 | Bolt, Hex-Head, 5/16-18 X 1.50 | 4 |
| 2 | 1011697 | Washer, 5/16 Flat | 2 |
| 3 | 1012571 | Washer, 5/16 Extra Thick Flat | 4 |
| 4 | 1013924 | Nut, 5/16-24 Hex Head Cone | 10 |
| 5 | 101827101 | Plate, Engine Mounting | 1 |
| 6 | 101832601 | Stiffener (PTO Side) | 1 |
| 7 | 101832701 | Stiffener (Flywheel Side) | 1 |
| 8 | 101833101 | Stud, M8-1.25 X 50 mm Two-Ended | 2 |
| 9 | 101834601 | Snubber Bracket | 1 |
| 10 | 101884801 | Screw, 5/16-24 X 0.875 Grade-8 | 10 |
| 11 | 101963401 | Locknut, 5/16-18 Hex Flange | 4 |
| 12 | 102065901 | Locknut, 3/8-16 Flanged Dimple | 4 |
| 13 | 102540301 | Inner Frame Snubber | 1 |
| 14 | 334 | Washer, 3/8 Type A Flat | 4 |
| 15 | 705 | Screw, Cap-hex Hd 3/8-16x1.25 | 4 |
| 16 | 96704416 | Nut Flg, M8 X 1.25 Serrated | 2 |

7

G

7

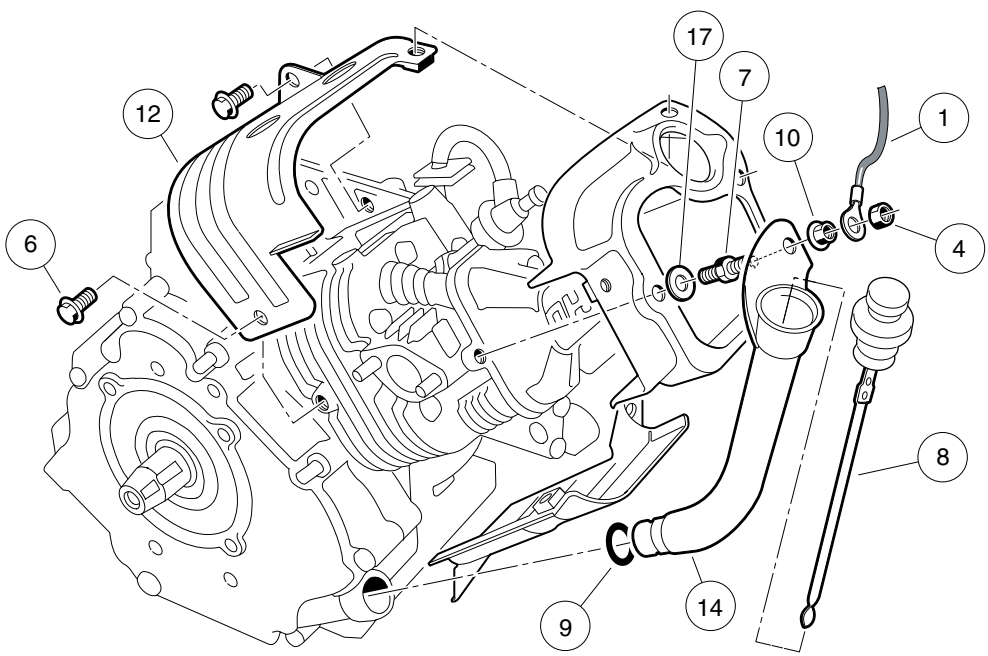
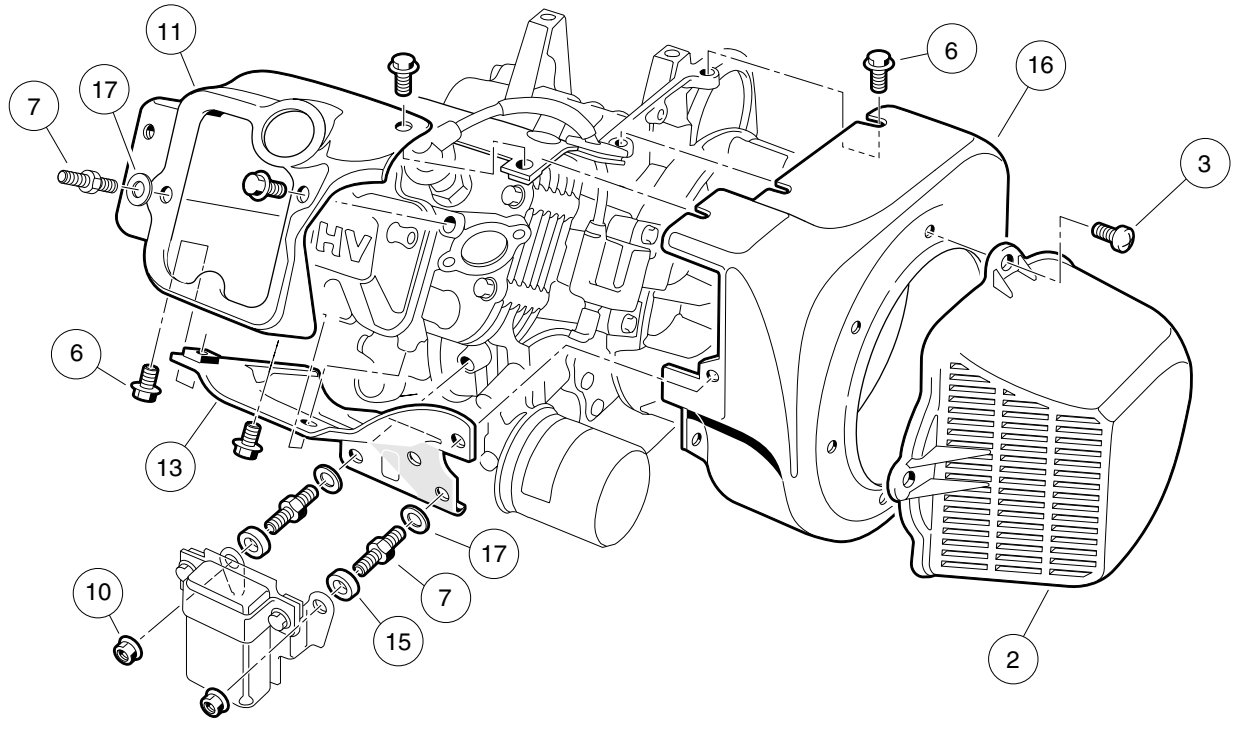
G

FE350 ENGINE WITHOUT ACR

8

G

8
G

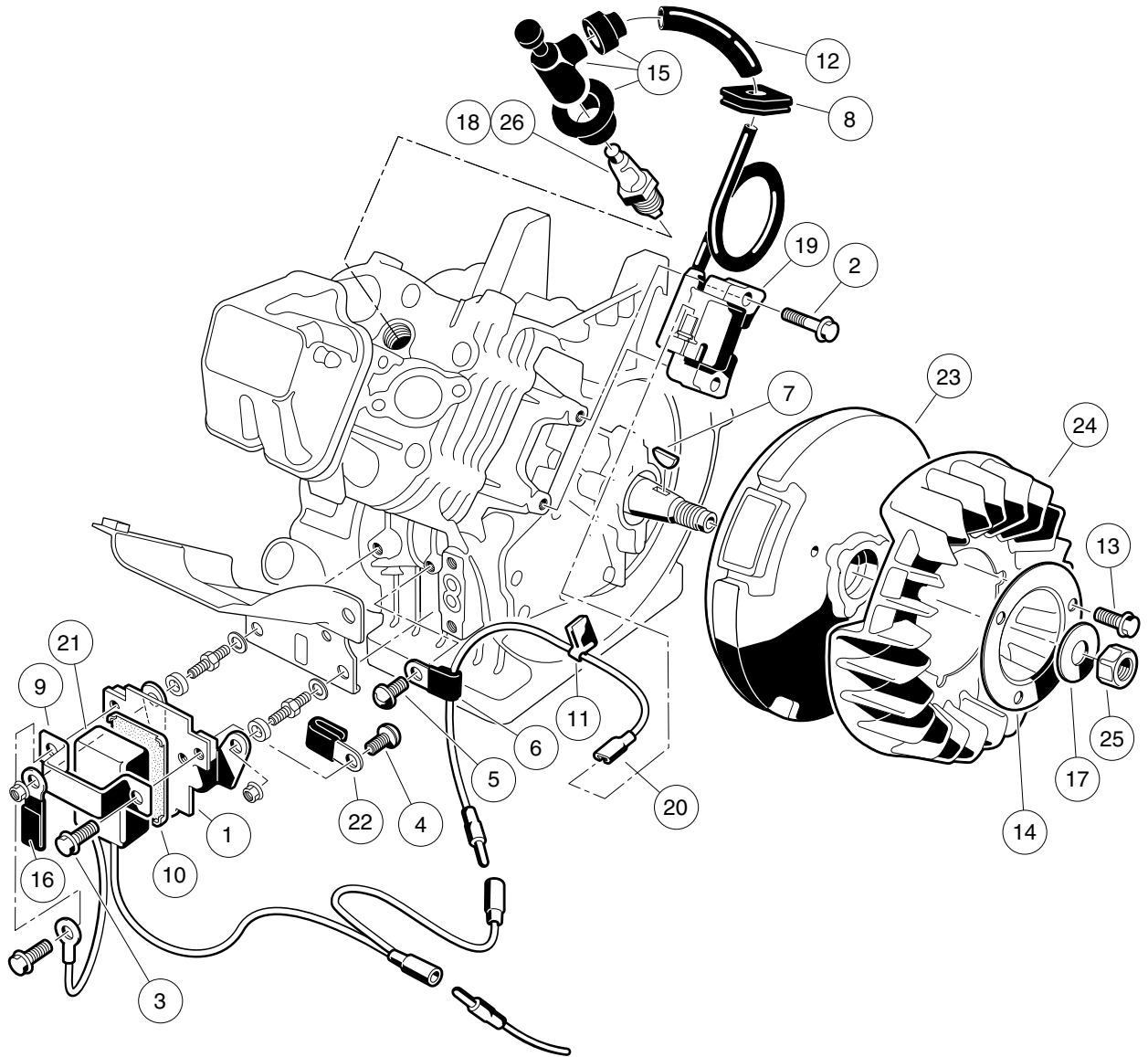


000201-001

AS11 FE350 ENGINE WITHOUT ACR (AUTOMATIC COMPRESSION RELEASE) – SHROUDS AND BRACKETS

| ITEM | PART NO. | DESCRIPTION | QTY |
|------|-----------|--|-----|
| | | 1 2 3 4 | |
| 1 | 1015332 | Wire Assembly, #10, Uninsulated | 1 |
| 2 | 1015649 | Shroud, Fan | 1 |
| 3 | 1015969 | Screw, M6-1.00 X 10mm Pan Hd | 4 |
| 4 | 101887601 | Locknut, M6-1.00 Nylon Insert | 1 |
| 5 | 101953802 | Engine, FE350 (cw) without ACR * (includes items 6 through 17) | 1 |
| 6 | 1016456 | Bolt, Flange Head, M6 x 1 x 12 mm | 14 |
| 7 | 1016507 | Bolt, Two-Ended | 3 |
| 8 | 1016531 | Dipstick | 1 |
| 9 | 1016539 | O-Ring | 1 |
| 10 | 1016547 | Nut, M6 Flange | 3 |
| 11 | 1017474 | Shroud, Engine | 1 |
| 12 | 1017475 | Shroud, Engine | 1 |
| 13 | 1017476 | Shroud, Engine | 1 |
| 14 | 1017486 | Tube, Oil Filler | 1 |
| 15 | 1017500 | Spacer 6.50 X 12 X 5.5 | 2 |
| 16 | 101916101 | Housing, FE350 Fan | 1 |
| 17 | N/A | Washer, 6mm Flat | 3 |
| | | * Note: FE350 engine component listings span several pages. | |

8
G

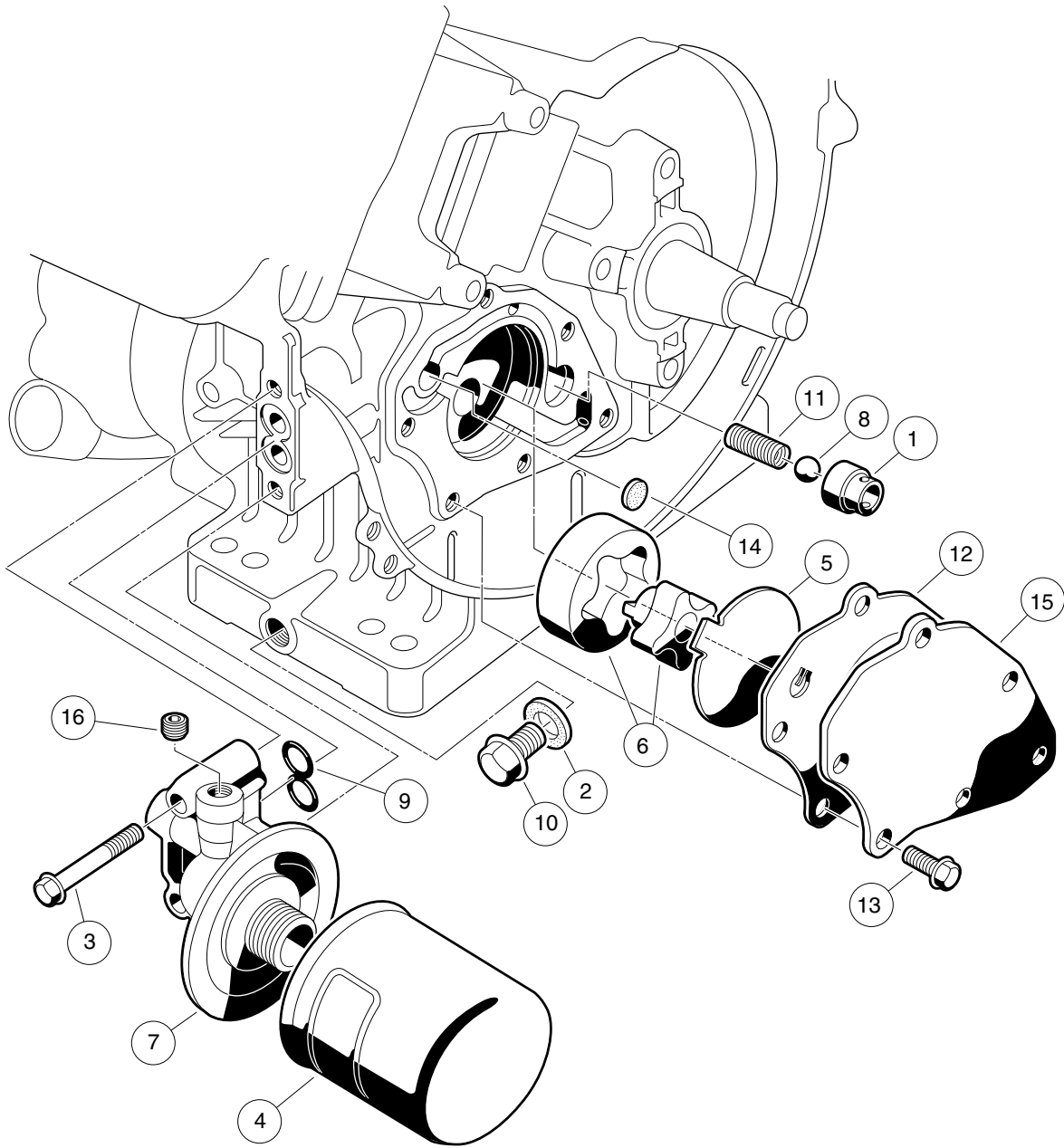


000202-001

AS11 FE350 ENGINE – IGNITION COMPONENTS AND FLYWHEEL

| ITEM | PART NO. | DESCRIPTION | QTY |
|------|-----------|---|-----|
| | | 1 2 3 4 | |
| 1 | 1016445 | Bracket, RPM Limiter | 1 |
| 2 | 1016455 | Bolt, Flange Head | 2 |
| 3 | 1016456 | Bolt, Flange Head, M6 x 1 x 12 mm | 2 |
| 4 | 1016497 | Screw, Pan WP Cross | 1 |
| 5 | 1016544 | Screw | 1 |
| 6 | 1016561 | Clamp | 1 |
| 7 | 1016562 | Key | 1 |
| 8 | 1016578 | Ignition, Grommet | 1 |
| 9 | 1016579 | Band, RPM Limiter Mount | 1 |
| 10 | 1016586 | Damper, RPM Limiter | 1 |
| 11 | 1016587 | Clamp | 1 |
| 12 | 1016588 | Tube, 7mm X 10mm X 70mm | 1 |
| 13 | 1017448 | Bolt, Flanged | 3 |
| 14 | 1017455 | Plate, Flywheel Fan | 1 |
| 15 | 1017463 | Cap Asm Plug | 1 |
| 16 | 1017468 | Clamp | 1 |
| 17 | 1017490 | Washer, Flat | 1 |
| 18 | 101881101 | Spark Plug, OHV (Autolite) | 1 |
| 19 | 101909201 | Coil, Ignition | 1 |
| 20 | 101909301 | Lead Wire Assy | 1 |
| 21 | 101909401 | Limiter, RPM | 1 |
| 22 | 101909501 | Clamp, Steel | 1 |
| 23 | 101916201 | Flywheel | 1 |
| 24 | 101916301 | Fan (cw) | 1 |
| 25 | N/A | Nut, Hex, 18 mm Fine | 1 |
| 26 | AM10724 | Spark Plug, OHV (NGK) | 1 |

8
G



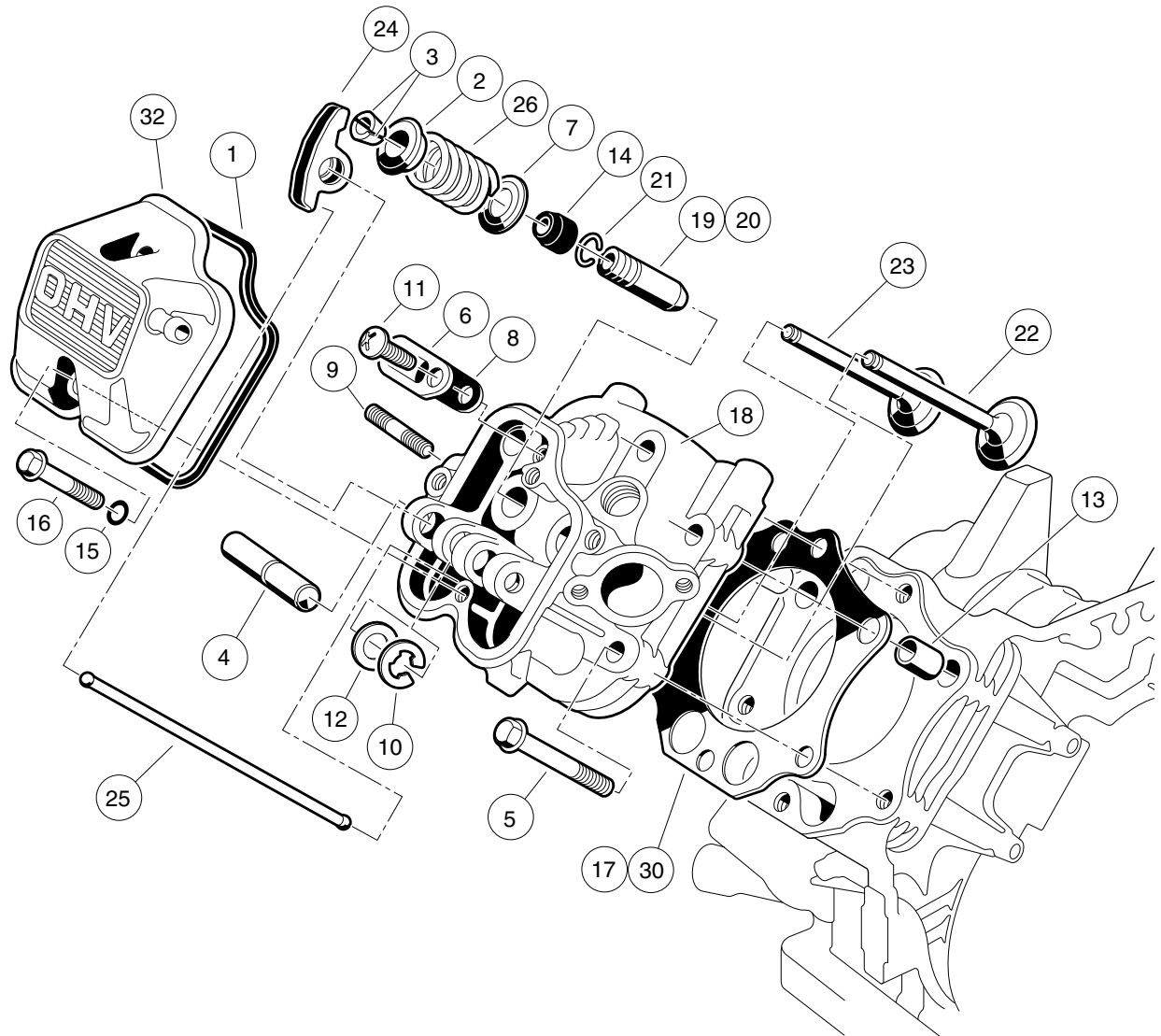
000203-001

FE350 ENGINE – OIL CIRCULATION

| ITEM | PART NO. | DESCRIPTION | QTY |
|------|-----------|------------------------------------|-----|
| | | 1 2 3 4 | |
| 1 | 1016429 | Seat, Value Oil Press Relief | 1 |
| 2 | 1016432 | Gasket, Drain Plug | 1 |
| 3 | 1016457 | Bolt, Flange Head | 2 |
| 4 | 1016467 | Filter, Oil | 1 |
| 5 | 1016473 | Plate, Oil Pump | 1 |
| 6 | 101648203 | Oil Pump And Rotor | 1 |
| 7 | 1016502 | Bracket, Oil Filter Mount | 1 |
| 8 | 1016537 | Ball, Steel, Press, Relief | 1 |
| 9 | 1016570 | O-Ring | 1 |
| 10 | 1016576 | Plug, Drain | 1 |
| 11 | 1016581 | Spring | 1 |
| 12 | 1017442 | Gasket | 1 |
| 13 | 1017456 | Bolt, Flanged | 6 |
| 14 | 1017458 | Filter | 1 |
| 15 | 1017460 | Cover, Pump | 1 |
| 16 | 1017507 | Plug | 2 |

8

G



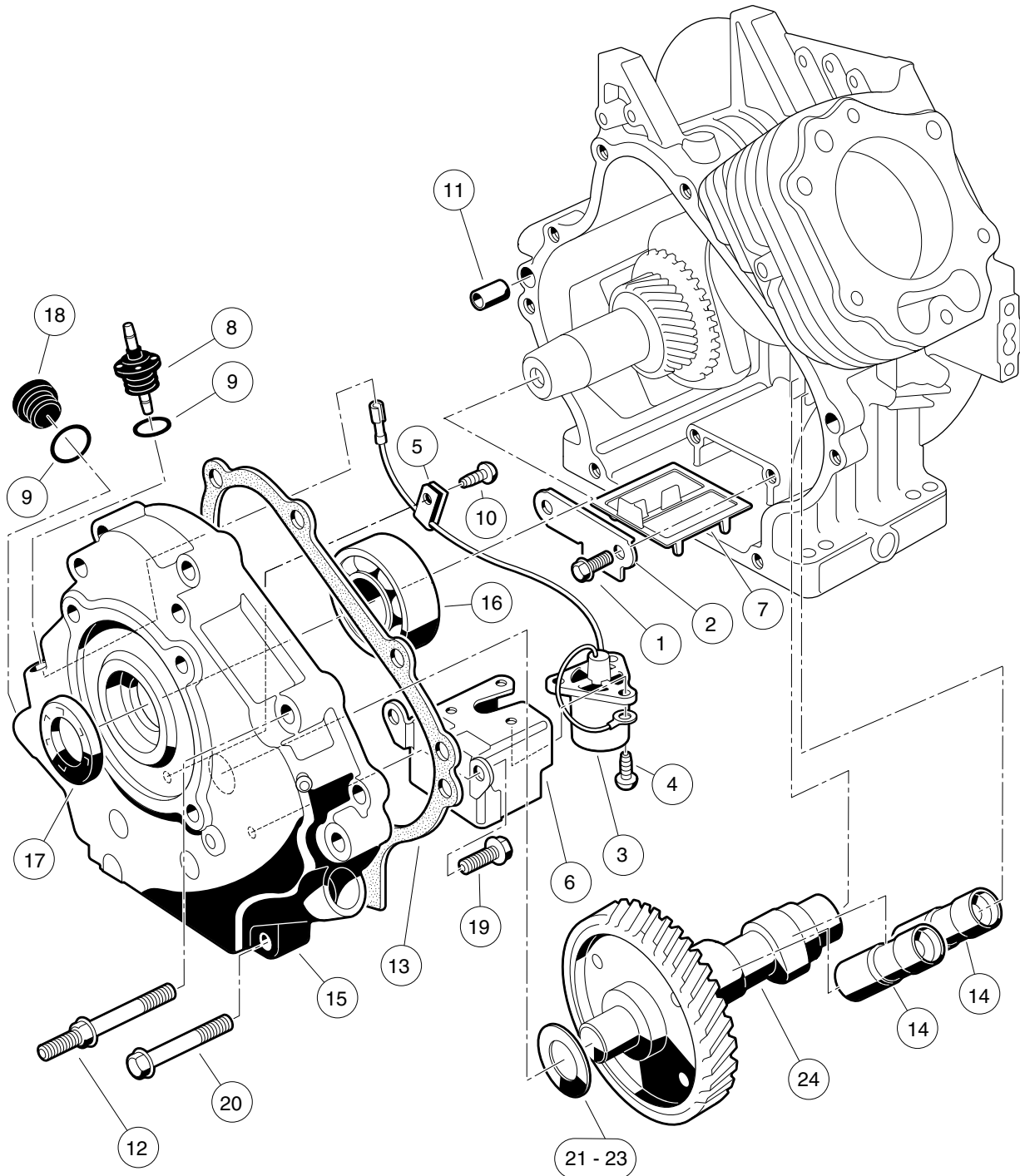
000204-001

AS11 FE350 ENGINE – CYLINDER HEAD

| ITEM | PART NO. | DESCRIPTION | QTY |
|------|-----------|---|-----|
| | | 1 2 3 4 | |
| 1 | 1016436 | Gasket, Rocker Case | 1 |
| 2 | 1016449 | Retainer, Valve Spring | 2 |
| 3 | 1016450 | Collet | 4 |
| 4 | 1016452 | Shaft, Rocker | 1 |
| 5 | 1016458 | Bolt, Flange Head, M8 x 1.25 x 45 mm | 6 |
| 6 | 1016474 | Plate | 1 |
| 7 | 1016479 | Seat, Spring | 2 |
| 8 | 1016483 | Valve | 1 |
| 9 | 1016489 | Stud, Two-Ended, M8-1.25 | 2 |
| 10 | 1016517 | Circlip, Type-E | 1 |
| 11 | 1016544 | Screw | 1 |
| 12 | 1016549 | Washer, 12.1x19x1.8 | 1 |
| 13 | 1016563 | Pin | 2 |
| 14 | 1016566 | Seal, Oil | 2 |
| 15 | 1016569 | O-Ring | 2 |
| 16 | 1016583 | Bolt, 6x35 | 2 |
| 17 | 1017434 | Gasket, Head | 1 |
| 18 | 1017435 | Assembly, Cylinder Head, FE350 (includes items 19 through 21) | 1 |
| 19 | 1016518 | Guide, Valve, Exhaust | 1 |
| 20 | 1016519 | Guide, Valve | 1 |
| 21 | 1016560 | Snap Ring | 2 |
| 22 | 1017444 | Valve, Intake | 1 |
| 23 | 1017445 | Valve, Exhaust | 1 |
| 24 | 1017446 | Arm, Rocker | 2 |
| 25 | 1017454 | Rod, Push | 2 |
| 26 | 1017473 | Spring, Engine Valve | 2 |
| 27 | 102304801 | Kit, Gasket, FE350 (includes items 28 through 31) | 1 |
| 28 | 1016440 | Gasket, Engine to Insulator | 1 |
| 29 | 1016904 | Gasket, Exhaust | 1 |
| 30 | 1017434 | Gasket, Head | 1 |
| 31 | 1017443 | Gasket, Crankcase Cover | 1 |
| 32 | 102753401 | Case, Rocker | 1 |
| | | Note: Item 28 is not a component of the FE350 engine. | |

8

G

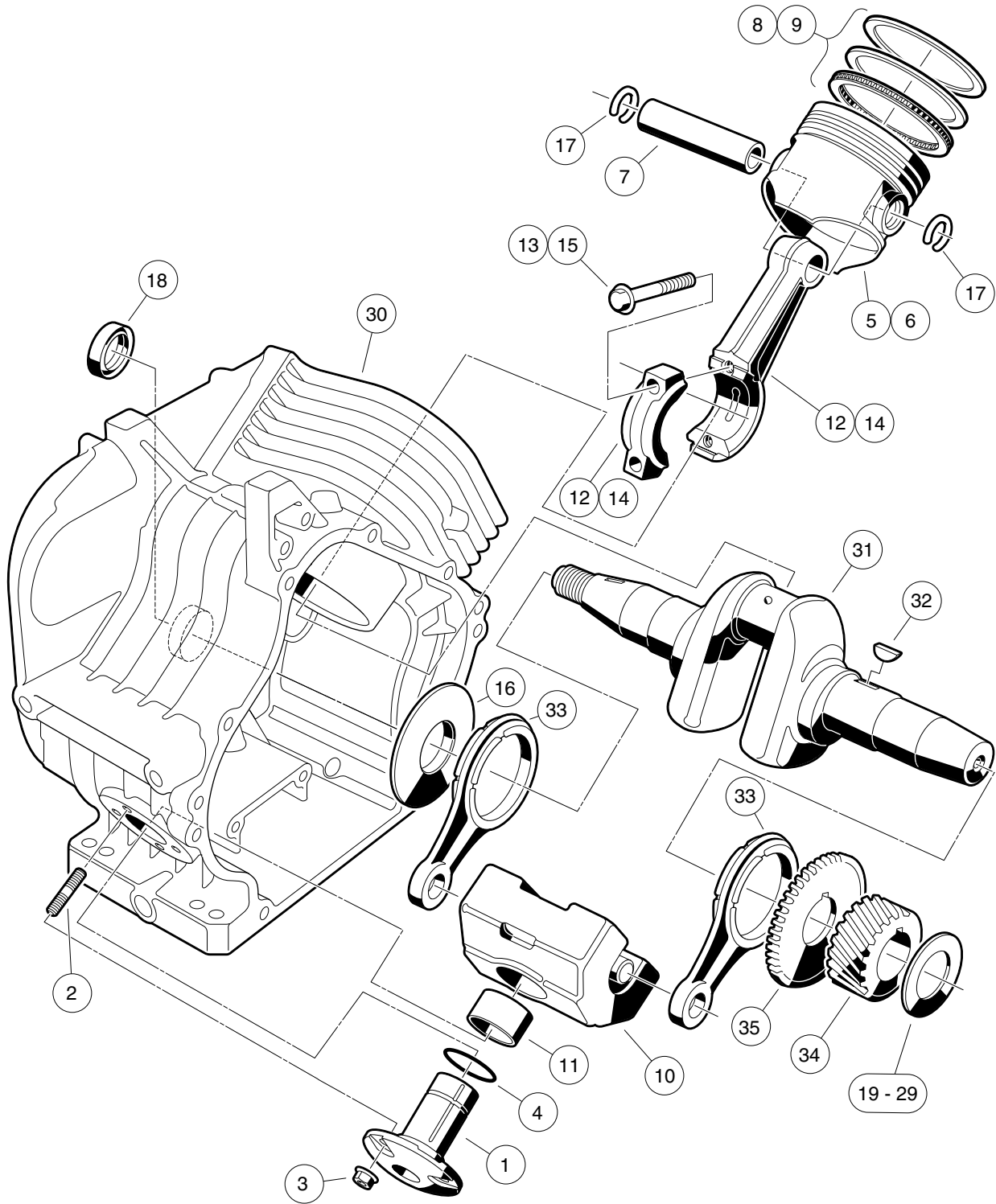


000205-002

AS11 FE350 ENGINE WITHOUT ACR – CRANKCASE, CAMSHAFT, AND OIL SENSOR

| ITEM | PART NO. | DESCRIPTION | QTY |
|------|-----------|--|-----|
| | | 1 2 3 4 | |
| 1 | 1016454 | Bolt, Flange Head, M5 x 0.8 x 8 mm | 2 |
| 2 | 1016472 | Plate, Oil Filter Screen | 1 |
| 3 | 1016494 | Sensor, Oil Level | 1 |
| 4 | 1016496 | Screw, Cross Pan-Head, M4 x 0.7 x 8 mm | 3 |
| 5 | 1016506 | Clamp | 1 |
| 6 | 1016510 | Bracket, Switch, Oil Level | 1 |
| 7 | 1016521 | Screen, Oil Filter | 1 |
| 8 | 1016535 | Connector, Cord | 1 |
| 9 | 1016538 | O-Ring | 2 |
| 10 | 1016544 | Screw | 1 |
| 11 | 1016564 | Pin | 2 |
| 12 | 1016584 | Bolt, Two-Ended, M8 x 1.25 x 69 mm | 2 |
| 13 | 1017443 | Gasket, Crankcase Cover | 1 |
| 14 | 1017447 | Adjuster, Lash | 2 |
| 15 | 1017472 | Cover Crankcase | 1 |
| 16 | 1017487 | Bearing, Ball | 1 |
| 17 | 1017504 | Seal, Oil | 1 |
| 18 | 1017508 | Plug | 1 |
| 19 | 1017513 | Bolt Switch Bracket | 2 |
| 20 | 1017514 | Screw, M8-1.25 X 45mm Hex | 6 |
| 21 | 101751801 | Shim, 0.3 | 1 |
| 22 | 101751802 | Shim, 0.4 | 1 |
| 23 | 101751803 | Shim, 0.5 | 1 |
| 24 | 102431001 | Camshaft, FE350 without ACR, 44-Tooth | 1 |

8
G



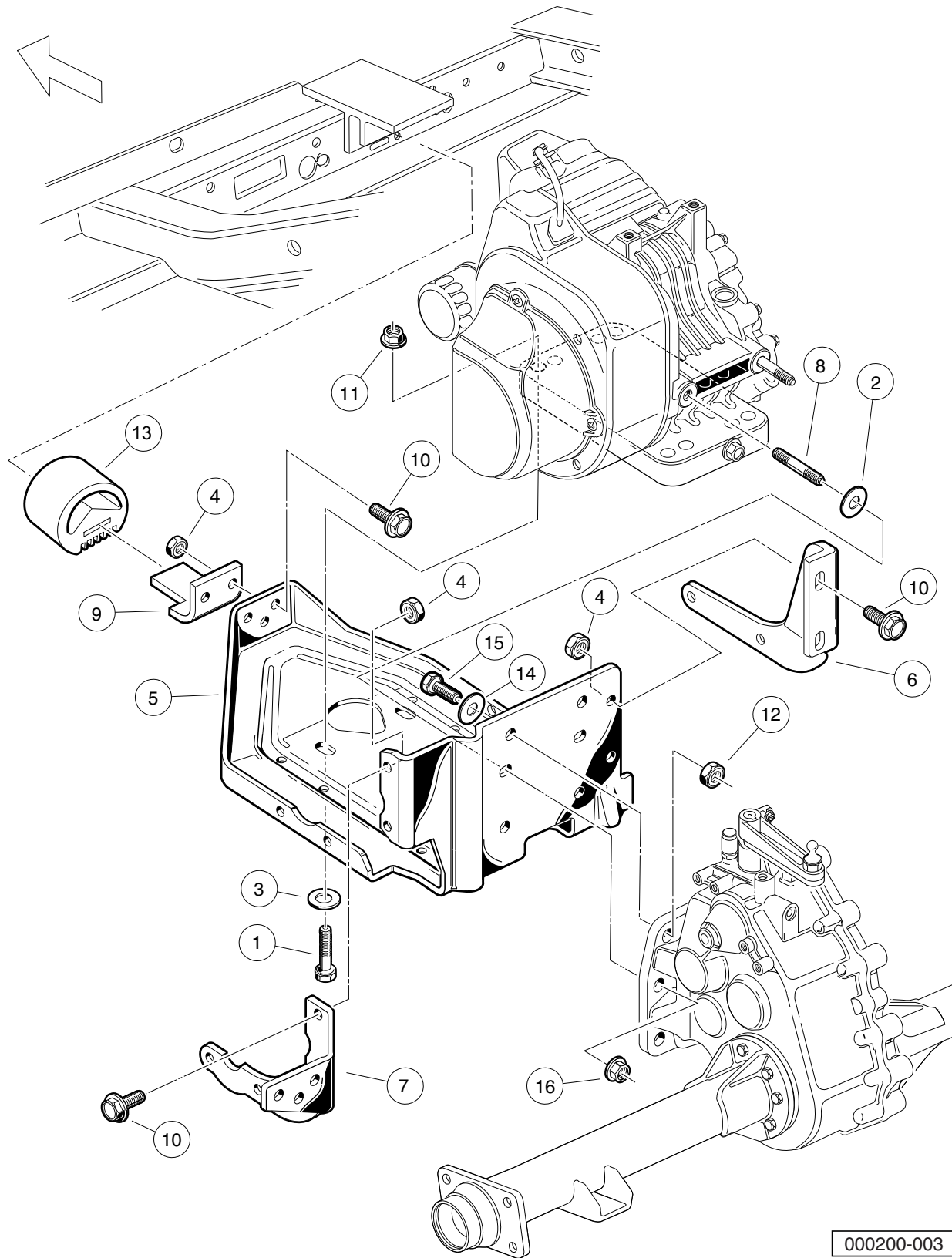
000206-001

AS11 FE350 ENGINE – CRANKCASE AND CRANKSHAFT

| ITEM | PART NO. | DESCRIPTION | QTY |
|------|-----------|--|-----|
| | | 1 2 3 4 | |
| 1 | 1016470 | Shaft, Guide, Counterbalance | 1 |
| 2 | 1016541 | Stud, 6x14 | 4 |
| 3 | 1016547 | Nut, M6 Flange | 4 |
| 4 | 1016571 | O-Ring | 1 |
| 5 | 101744901 | Piston, Standard | 1 |
| 6 | 101744902 | Piston, 0.50 mm Oversize | 1 |
| 7 | 1017450 | Pin, Piston | 1 |
| 8 | 101745101 | Ring Set, Standard Piston | 1 |
| 9 | 101745102 | Ring Set, Piston, 0.50 mm Oversize | 1 |
| 10 | 1017453 | Fe400 Counterbalance Weight (includes item 11) | 1 |
| 11 | 1017510 | Bearing, Plain | 1 |
| 12 | 101745701 | Asm, Con. Rod Std (includes item 13) | 1 |
| 13 | 1017512 | Bolt | 2 |
| 14 | 101745702 | Rod Assembly Connecting Rod 0.5mm (includes item 15) | 1 |
| 15 | 1017512 | Bolt | 2 |
| 16 | 1017501 | Spacer | 1 |
| 17 | 1017502 | Snap Ring | 2 |
| 18 | 1017503 | Seal, Oil | 1 |
| 19 | 101773301 | Shim, Crankshaft, 1.18mm | 1 |
| 20 | 101773302 | Shim, Crankshaft, 1.25mm | 1 |
| 21 | 101773303 | Shim, Crankshaft, 1.32mm | 1 |
| 22 | 101773304 | Shim, Crankshaft, 1.39mm | 1 |
| 23 | 101773305 | Shim, Crankshaft, 1.46mm | 1 |
| 24 | 101773306 | Shim, Crankshaft, 1.53mm | 1 |
| 25 | 101773307 | Shim, Crankshaft, 1.60mm | 1 |
| 26 | 101773308 | Shim, Crankshaft, 1.67mm | 1 |
| 27 | 101773309 | Shim, Crankshaft, 1.74mm | 1 |
| 28 | 101773310 | Shim, Crankshaft, 1.11 mm | 1 |
| 29 | 101773311 | Shim, Crankshaft, 1.81mm | 1 |
| 30 | 101916001 | Crankcase Complete, FE350 (cw) | 1 |
| 31 | 102430901 | Crankshaft, FE350 Left-Hand, 22-Tooth (includes items 32 through 35) | 1 |
| 32 | 1016562 | Key | 1 |
| 33 | 1017471 | Rod | 2 |
| 34 | N/A | Gear, Helical | 1 |
| 35 | N/A | Gear, Spur | 1 |

8
G

8
G



000200-003

FE350 ENGINE MOUNTING

| ITEM | PART NO. | DESCRIPTION | QTY |
|------|-----------|---------------------------------------|-----|
| | | 1 2 3 4 | |
| 1 | 1010577 | Bolt, Hex-Head, 5/16-18 X 1.50 | 4 |
| 2 | 1011697 | Washer, 5/16 Flat | 2 |
| 3 | 1012571 | Washer, 5/16 Extra Thick Flat | 4 |
| 4 | 1013924 | Nut, 5/16-24 Hex Head Cone | 10 |
| 5 | 101827101 | Plate, Engine Mounting | 1 |
| 6 | 101832601 | Stiffener (PTO Side) | 1 |
| 7 | 101832701 | Stiffener (Flywheel Side) | 1 |
| 8 | 101833101 | Stud, M8-1.25 X 50 mm Two-Ended | 2 |
| 9 | 101834601 | Snubber Bracket | 1 |
| 10 | 101884801 | Screw, 5/16-24 X 0.875 Grade-8 | 10 |
| 11 | 101963401 | Locknut, 5/16-18 Hex Flange | 4 |
| 12 | 102065901 | Locknut, 3/8-16 Flanged Dimple | 4 |
| 13 | 102540301 | Inner Frame Snubber | 1 |
| 14 | 334 | Washer, 3/8 Type A Flat | 4 |
| 15 | 705 | Screw, Cap-hex Hd 3/8-16x1.25 | 4 |
| 16 | 96704416 | Nut Flg, M8 X 1.25 Serrated | 2 |

8

G

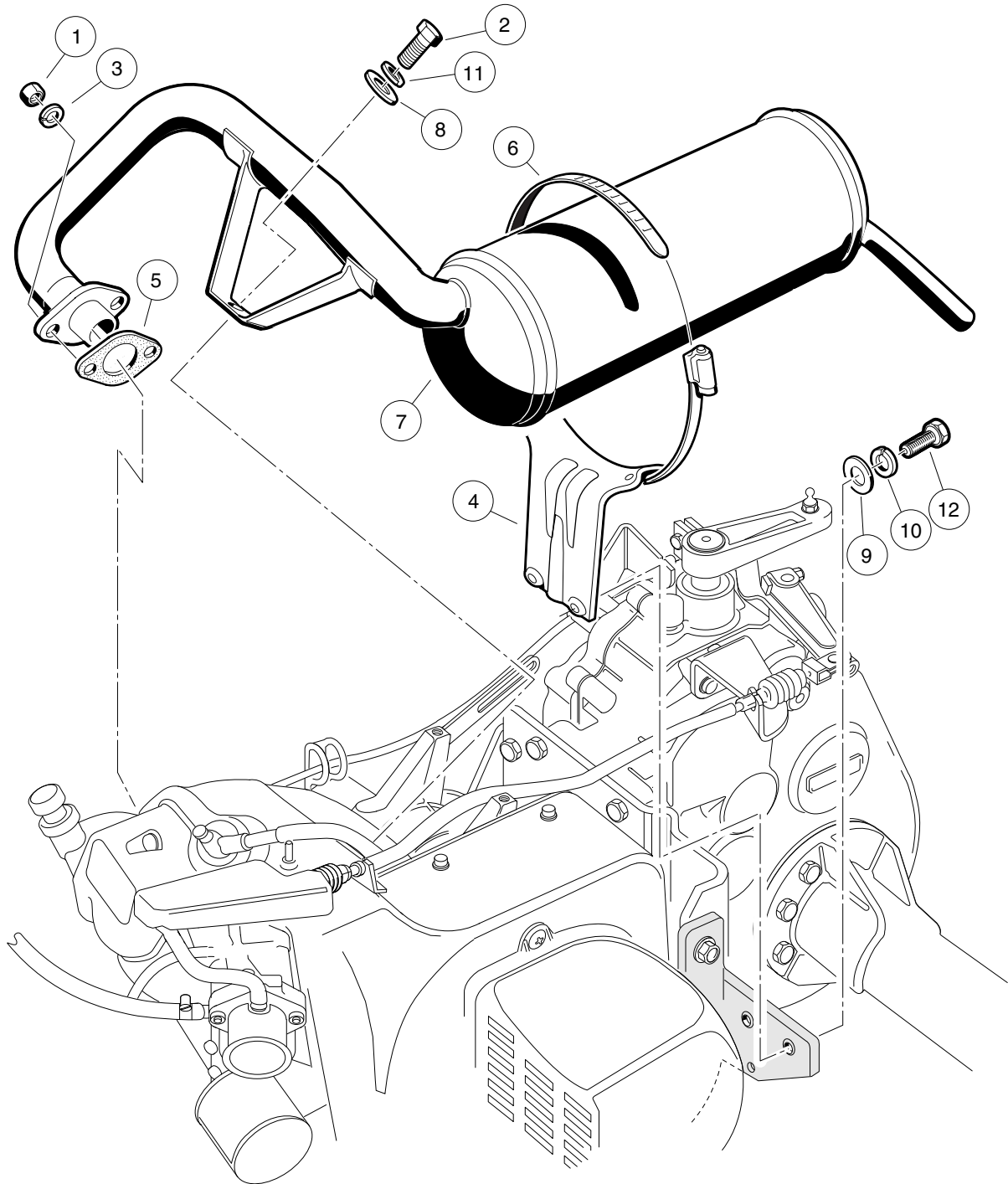
8

G

EXHAUST SYSTEM

9

G



000209-001

EXHAUST SYSTEM – FE350 ENGINE

| ITEM | PART NO. | DESCRIPTION | QTY |
|------|-----------|---|-----|
| | | 1 2 3 4 | |
| 1 | 1012528 | Nut, M8-1.25 Hex | 2 |
| 2 | 1012830 | Screw, M8-125 X 22 Hex-Head | 1 |
| 3 | 1013734 | Lockwasher, 8mm Split | 2 |
| 4 | 1015814 | Bracket, Muffler Mounting | 1 |
| 5 | 1016904 | Gasket, Exhaust | 1 |
| 6 | 1017689 | Clamp, 5" Muffler Hose | 1 |
| 7 | 101859401 | Exhaust System, FE350 | 1 |
| 8 | 1241 | Washer, 5/16 Type A Flat | 1 |
| 9 | 332 | Washer, 1/4 Type A Narrow Flat | 2 |
| 10 | 451 | Lockwasher, 1/4 Split | 2 |
| 11 | 7174 | Lockwasher, 5/16 Split | 1 |
| 12 | 7847 | Screw, 1/4-20 X 0.75 Hex-Head Cap | 2 |

9
G

9

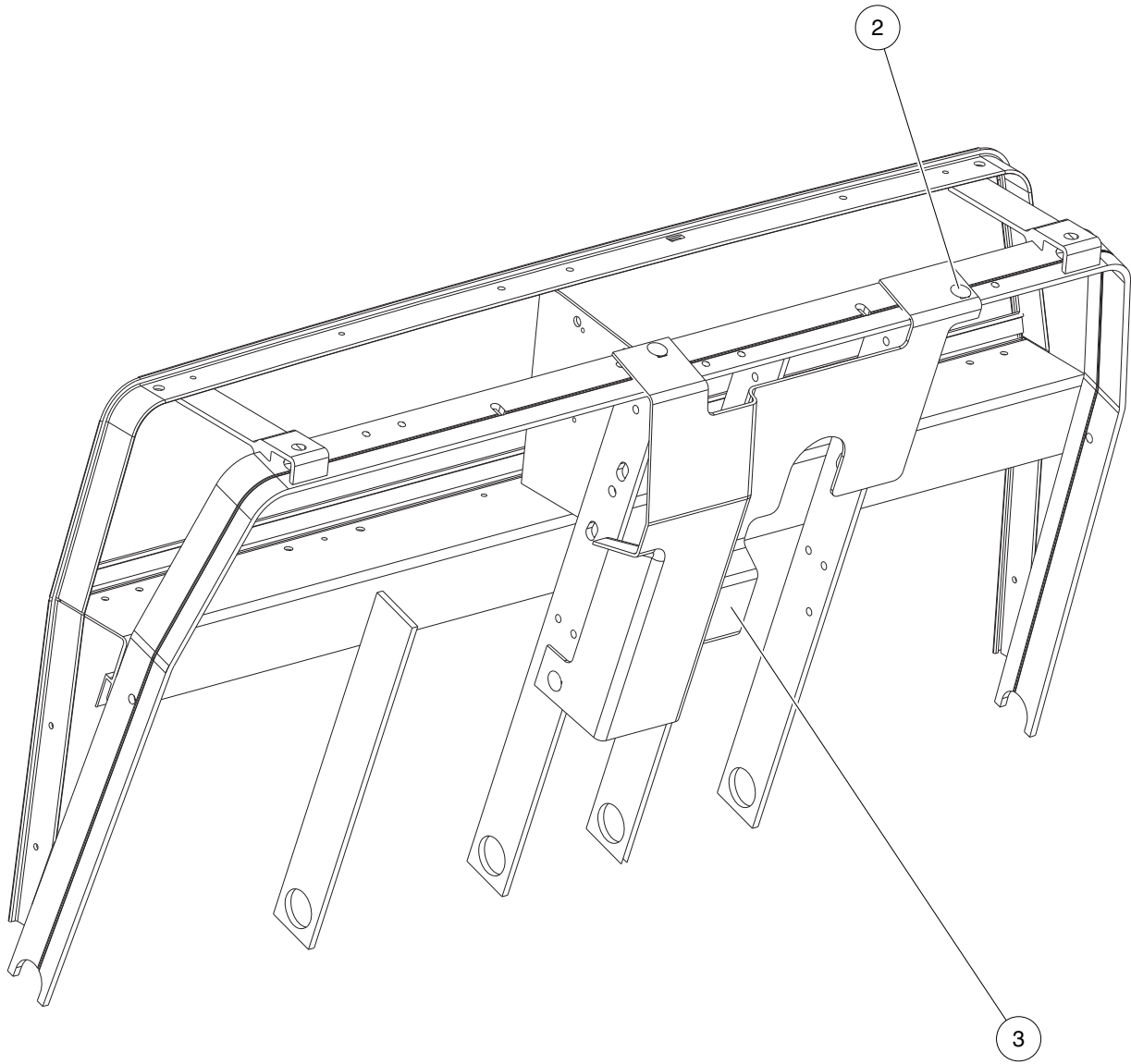
G

FUEL, INTAKE, AND GOVERNOR SYSTEMS

10

G

10
G



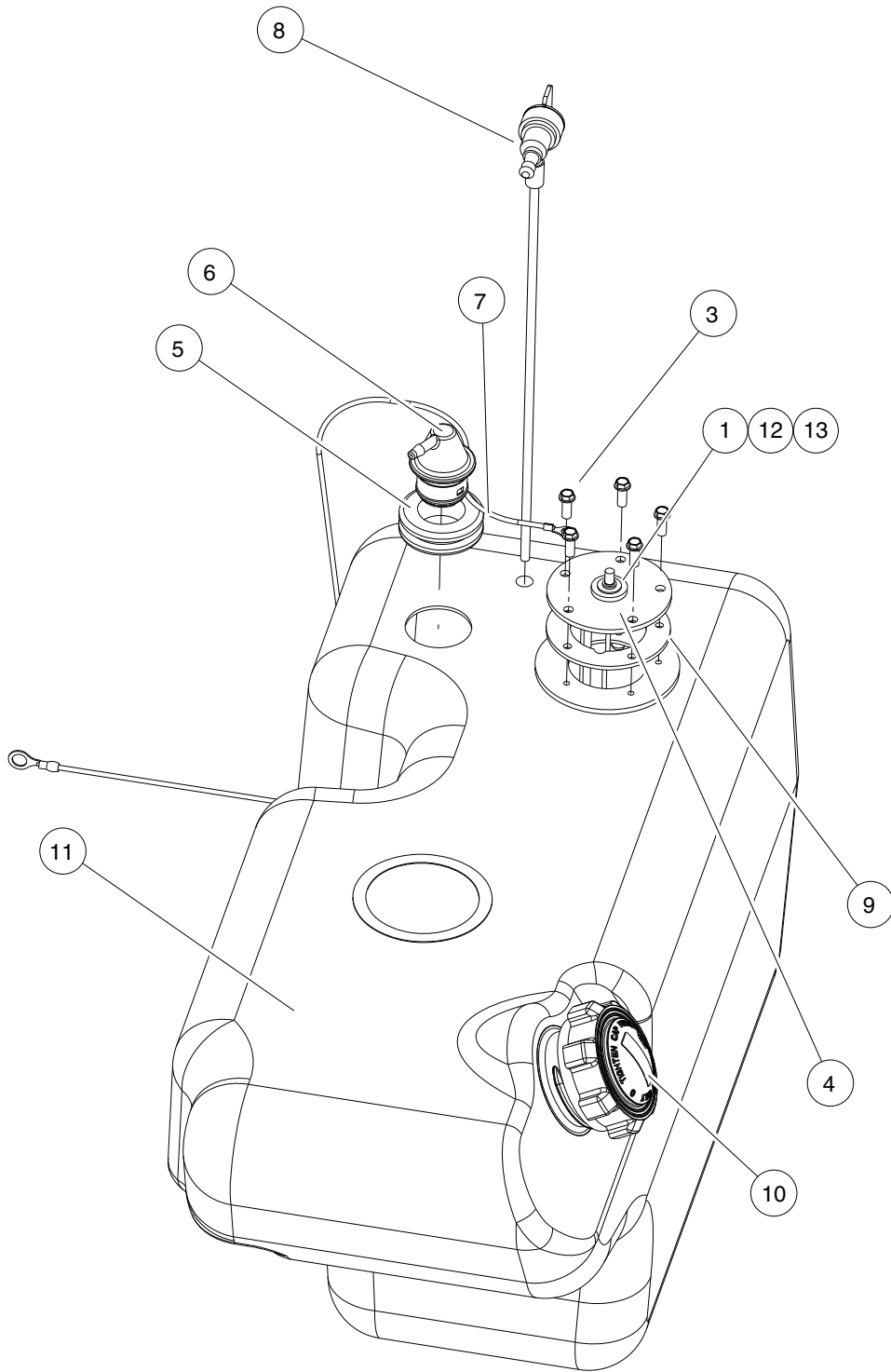
000593-001

SPLASH GUARD

| ITEM | PART NO. | DESCRIPTION | QTY |
|------|-----------|---|-----|
| | | 1 2 3 4 | |
| 1 | N/A | Instl, Splashguard, Ca (includes items 2 and 3) | 1 |
| 2 | 1010434 | Barrel - Plastic | 3 |
| 3 | 103174401 | Splash Guard | 1 |

10

G



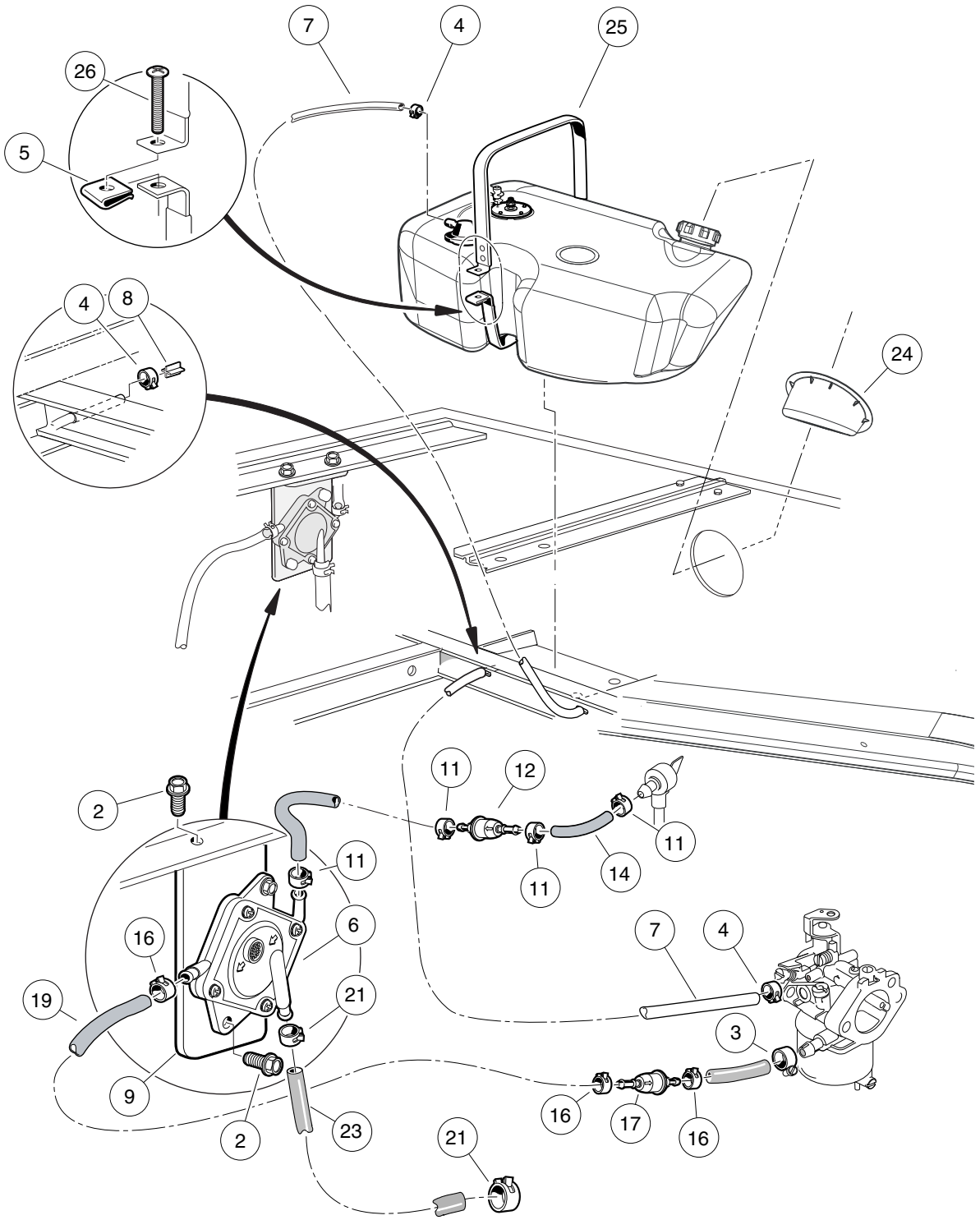
000609-001

FUEL TANK (NON-CLIFORNIA) WITH SENDING UNIT

| ITEM | PART NO. | DESCRIPTION | QTY |
|---|-----------|---|-----|
| | | 1 2 3 4 | |
| 1 | 1016 | Lockwasher, #10 Split | 1 |
| 2 | 103187601 | Asm, Fuel Tank, Side Fill, Su (includes items 3 through 11) | 1 |
| 3 | 1013461 | Screw, #10-16 Hex-Head Hi-Lo | 5 |
| 4 | 1013462 | Sending Unit, Fuel Level * | 1 |
| 5 | 1015139 | Insulation Grommet | 1 |
| 6 | 1015143 | Vent, Fuel Tank | 1 |
| 7 | 1015921 | Wire Assembly #16 Black | 1 |
| 8 | 102513701 | Valve - Fuel Pickup Tube | 1 |
| 9 | 102522001 | Gasket, Rubber | 1 |
| 10 | 102751601 | Cap, Fuel Tank, Gasoline | 1 |
| 11 | 102974201 | Tank, Fuel, Side Fill | 1 |
| 12 | 183 | Washer, #10 Type A Flat | 1 |
| 13 | 8797 | Nut, #10-32 Brass Hex | 1 |
| <p style="text-align: center;">* Note: Must replace fuel sending unit gasket when servicing this component.</p> | | | |

10

G

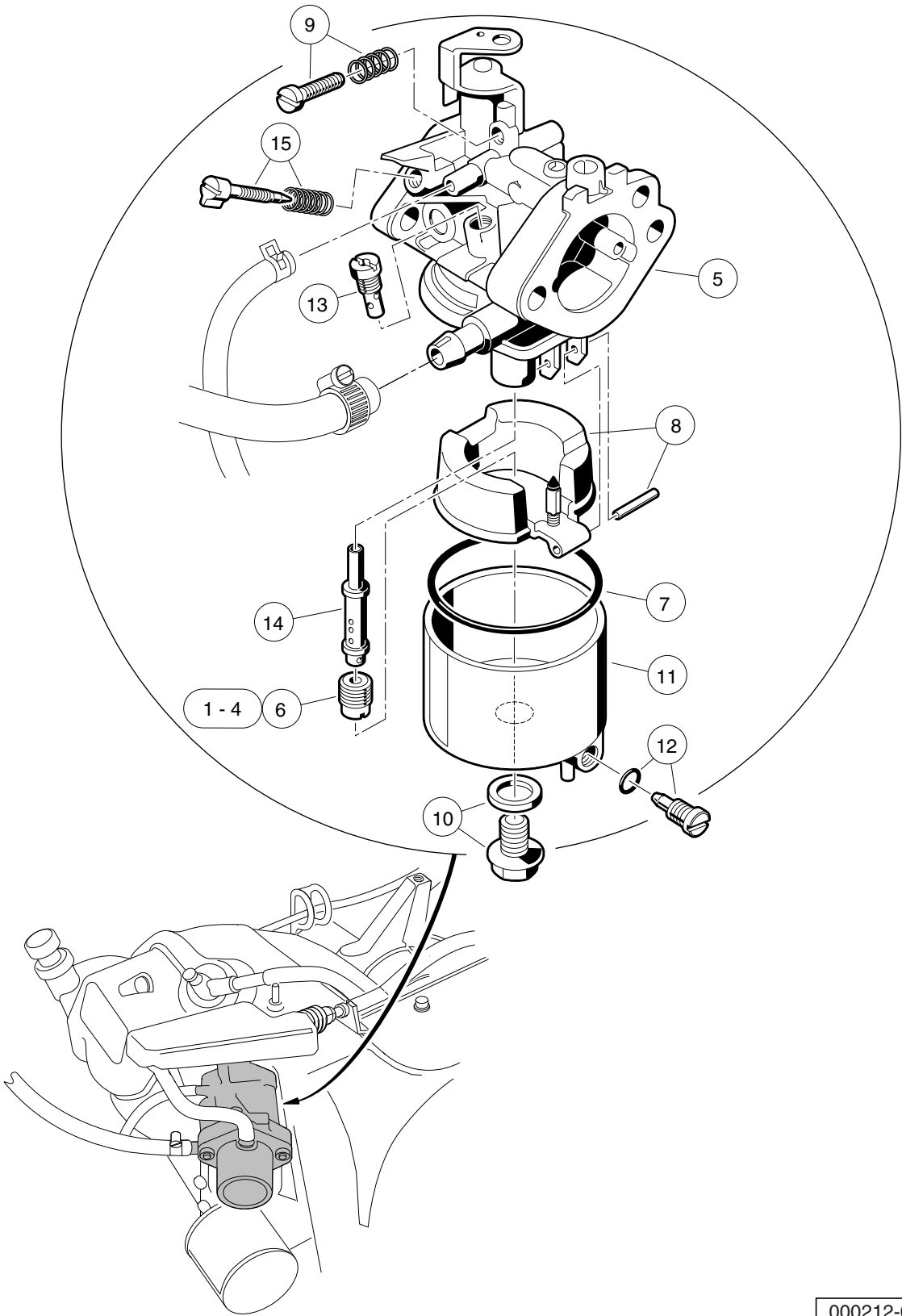


000602-001

FUEL SYSTEM

10
G

| ITEM | PART NO. | DESCRIPTION | QTY |
|------|-----------|--|-----|
| | | 1 2 3 4 | |
| 1 | N/A | Instl, Fuel Sys, Side Fill,ca1 (includes items 2 through 26) | 1 |
| 2 | 1012285 | Screw, 1/4 X 0.625 Hex-Head | 4 |
| 3 | 1013687 | Clamp, 3/8" Hose (screw type) | 1 |
| 4 | 1013746 | Clamp, 0.301 ID Hose | 3 |
| 5 | 1014116 | Nut, 1/4-20 Speed | 1 |
| 6 | 1015137 | Fuel Line (available by the foot) | 1 |
| 7 | 101824401 | Vent Barb | 1 |
| 8 | 101929501 | Mount Fuel Pump | 1 |
| 9 | N/A | Asm, Fuel Filter 14.93" J1737 (includes items 10 through 13) | 1 |
| 10 | 1012649 | Clamp, 0.460 Red Hose | 4 |
| 11 | 102003201 | Filter, Fuel, 30 Micron | 1 |
| 12 | N/A | Cap, Plug, Plastic | 2 |
| 13 | 102865101 | Fuel Line | 1 |
| 14 | N/A | Asm, Fuel Filter 16.93" J1737 (includes items 15 through 18) | 1 |
| 15 | 1012649 | Clamp, 0.460 Red Hose | 3 |
| 16 | 102003201 | Filter, Fuel, 30 Micron | 1 |
| 17 | N/A | Cap, Plug, Plastic | 2 |
| 18 | 102865101 | Fuel Line | 1 |
| 19 | N/A | Asm, Fuel Line 16" J1737 (includes items 20 through 22) | 1 |
| 20 | 1012649 | Clamp, 0.460 Red Hose | 2 |
| 21 | N/A | Cap, Plug, Plastic | 2 |
| 22 | 102865101 | Fuel Line | 1 |
| 23 | 102977901 | Bezel, Fuel Fill, 5.0 Dia | 1 |
| 24 | 102978001 | Strap, Fuel Tank, Side Fill | 1 |
| 25 | 103306301 | Screw, Bhsc, 1/4-20 X 2.0 | 1 |
| 26 | 103781101 | Kit, Fuel Pump Retrofit (includes items 27 and 28) | 1 |
| 27 | 103010101 | Pump, Fuel, Impulse, Fh | 1 |
| 28 | 103781201 | Instr, Fuel Pump Retrofit | 1 |



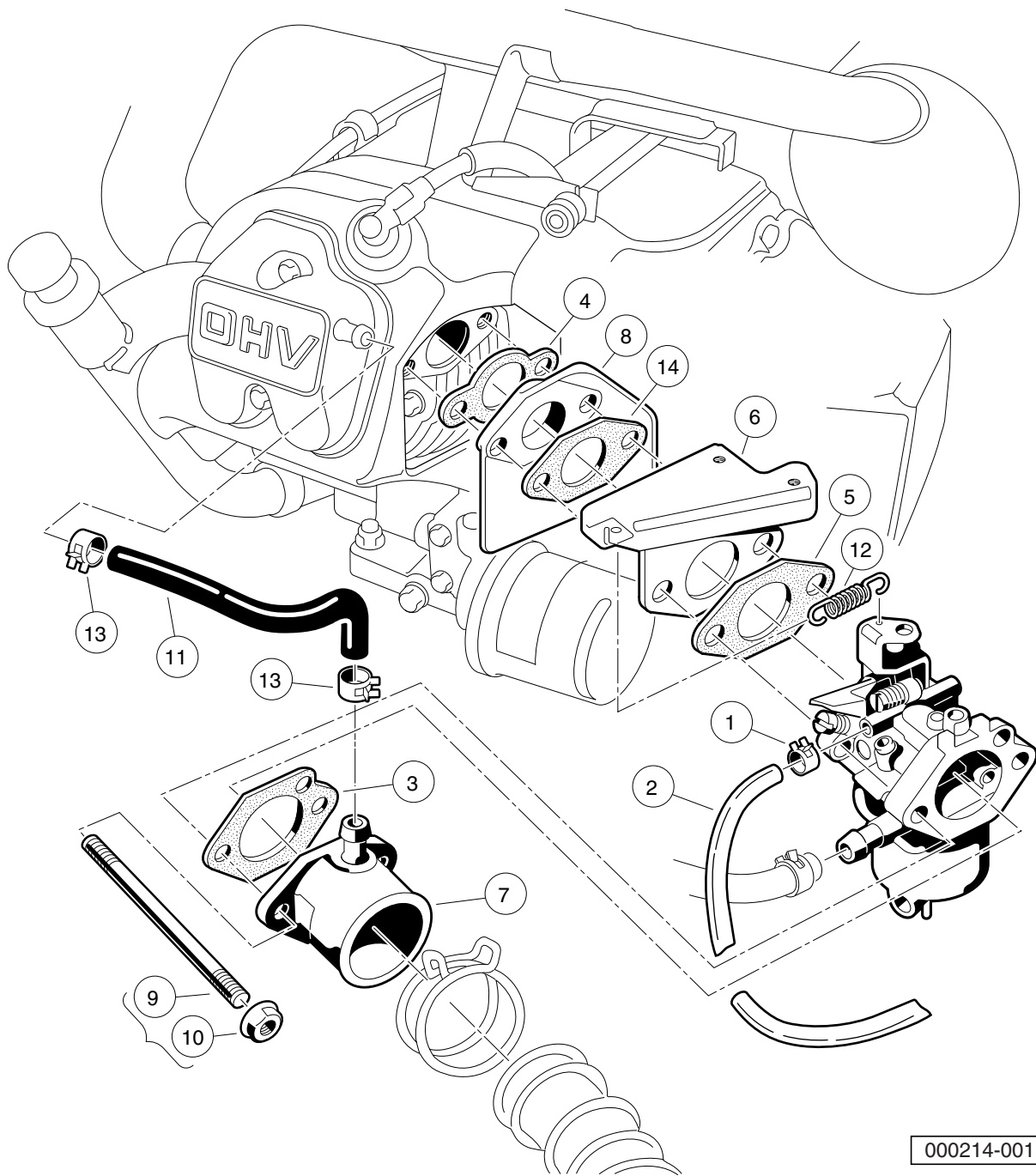
000212-001

CARBURETOR ASSEMBLY – FE350

| ITEM | PART NO. | DESCRIPTION | QTY |
|--|-----------|--|-----|
| | | 1 2 3 4 | |
| 1 | 101642575 | Jet, Altitude, # 75 | 1 |
| 2 | 101642578 | Jet, Altitude, # 78 | 1 |
| 3 | 101642580 | Jet, Altitude, # 80 | 1 |
| 4 | 101642582 | Jet, Altitude, # 82 | 1 |
| 5 | 101905901 | Carburetor, FE350D (includes items 6 through 15) | 1 |
| 6 | 101642585 | Jet, Altitude, # 85 | 1 |
| 7 | 1016437 | Gasket, Carburetor Bowl OHV | 1 |
| 8 | 1016486 | Float Assembly | 1 |
| 9 | 1016501 | Screw Assembly | 1 |
| 10 | 1016585 | Bolt | 1 |
| 11 | 1017461 | Chamber Assembly, Float (includes item 12) | 1 |
| 12 | 1016499 | Screw Assembly | 1 |
| 13 | 101973101 | Jet, #40 Pilot | 1 |
| 14 | 101973301 | Nozzle, Main | 1 |
| 15 | N/A | Assembly, Pilot Air Screw | 1 |
| <p style="margin-left: 40px;">Note: 101642585 for 0 - 3,000 feet; 101642582 for 3,000 - 5,000 feet; 101642580 for 5,000 - 8,000 feet; 101642578 for 8,000 - 10,000 feet; 101642575 for 10,000 feet and higher.</p> | | | |

10

G

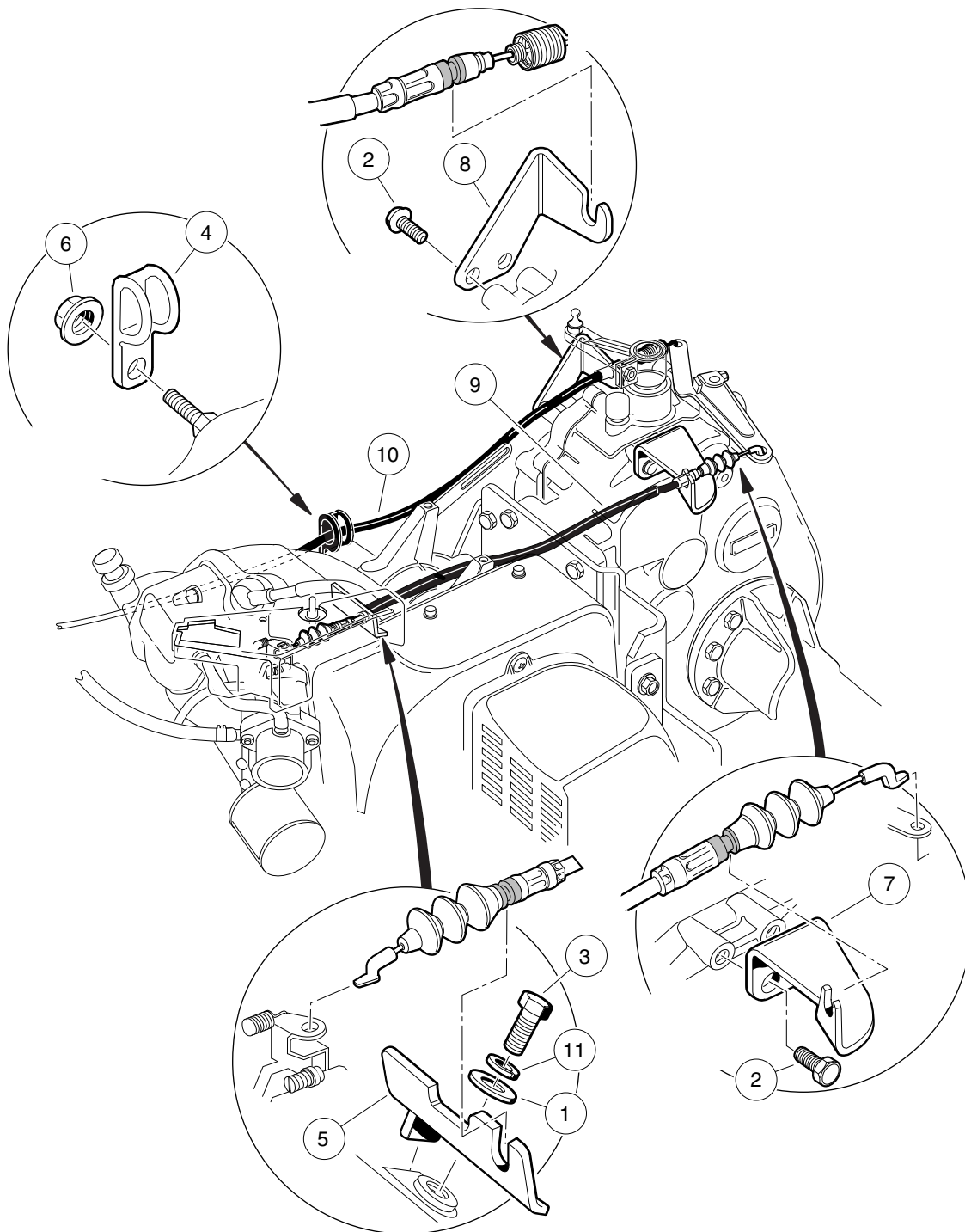


000214-001

CARBURETOR INSTALLATION – FE350

| ITEM | PART NO. | DESCRIPTION | QTY |
|------|-----------|---|-----|
| | | 1 2 3 4 | |
| 1 | 1013746 | Clamp, 0.301 ID Hose | 1 |
| 2 | 1015137 | Fuel Line (available by the foot) | 1 |
| 3 | 1016438 | Gasket, Carb To Intake Manifold | 1 |
| 4 | 1016440 | Gasket, Engine to Insulator | 1 |
| 5 | 1016441 | Gasket, Sprg Brkt To Carb OHV | 1 |
| 6 | 1016444 | Bracket, Throttle Spring Return | 1 |
| 7 | 1016480 | Pipe, Intake Manifold | 1 |
| 8 | 101648102 | Insulator, Carburetor | 1 |
| 9 | 101649002 | Stud, M6-1.00 Two-Ended | 2 |
| 10 | 1016547 | Nut, M6 Flange | 2 |
| 11 | 1016572 | Tube, Crankcase Vent | 1 |
| 12 | 1016582 | Spring, Throttle Return | 1 |
| 13 | 1017466 | Clamp | 2 |
| 14 | 101973401 | Gasket, Insulator To Bracket | 1 |

10
G

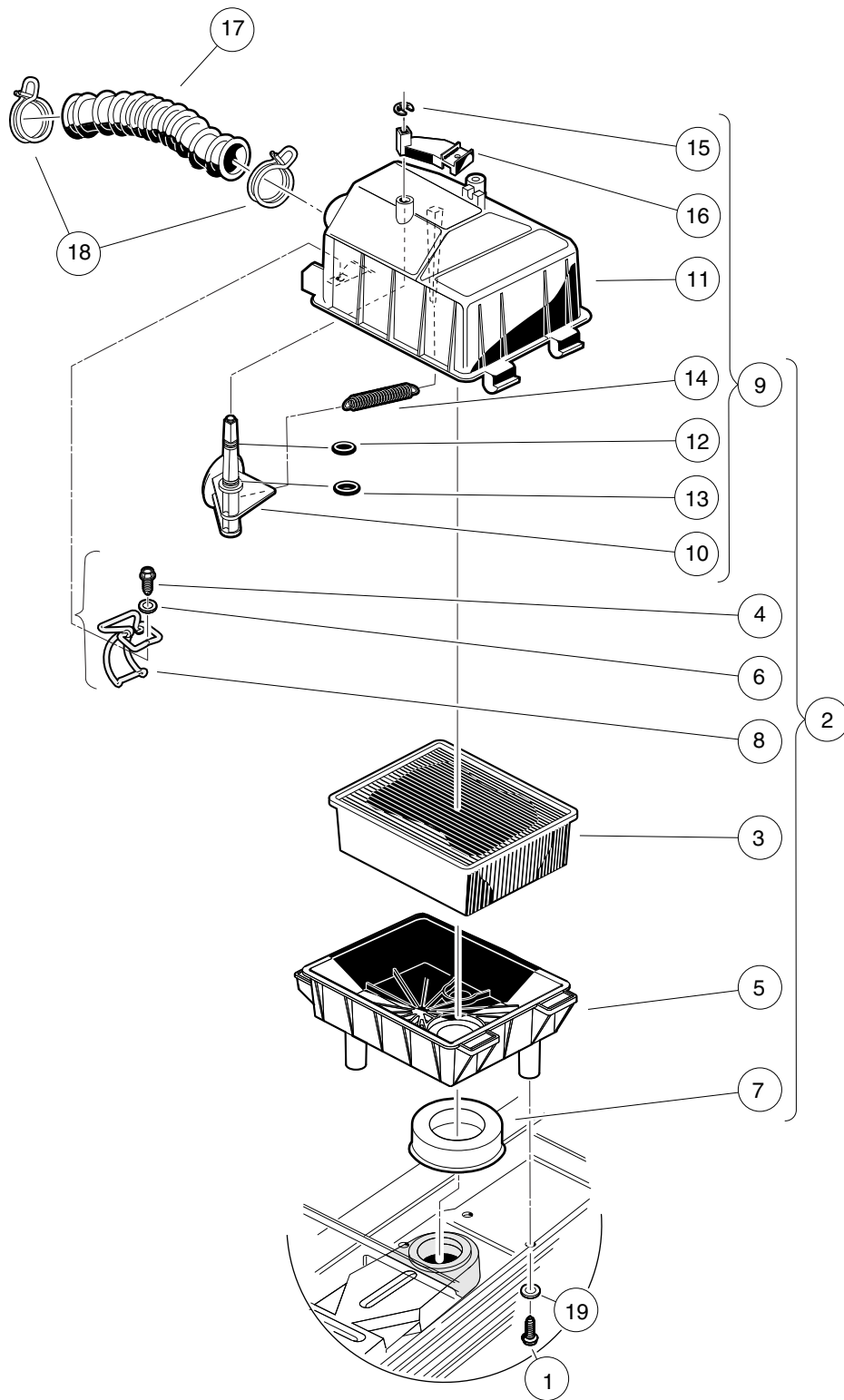


000215-001

GOVERNOR AND ACCELERATOR CABLES

| ITEM | PART NO. | DESCRIPTION | QTY |
|------|-----------|---|-----|
| | | 1 2 3 4 | |
| 1 | 1011697 | Washer, 5/16 Flat | 1 |
| 2 | 1012285 | Screw, 1/4 X 0.625 Hex-Head | 4 |
| 3 | 1012830 | Screw, M8-125 X 22 Hex-Head | 1 |
| 4 | 1013700 | Clamp | 2 |
| 5 | 101584502 | Bracket, Governor Cable Snap-In | 1 |
| 6 | 1016546 | Nut | 2 |
| 7 | 101832202 | Bracket, Rear Governor Cable Snap-In | 1 |
| 8 | 101832302 | Bracket, Rear Accelerator Cable Snap-In | 1 |
| 9 | 102336001 | Cable, Governor, Snap-In | 1 |
| 10 | 102336101 | Cable, Accelerator, Snap-In | 1 |
| 11 | 7174 | Lockwasher, 5/16 Split | 1 |

10
G



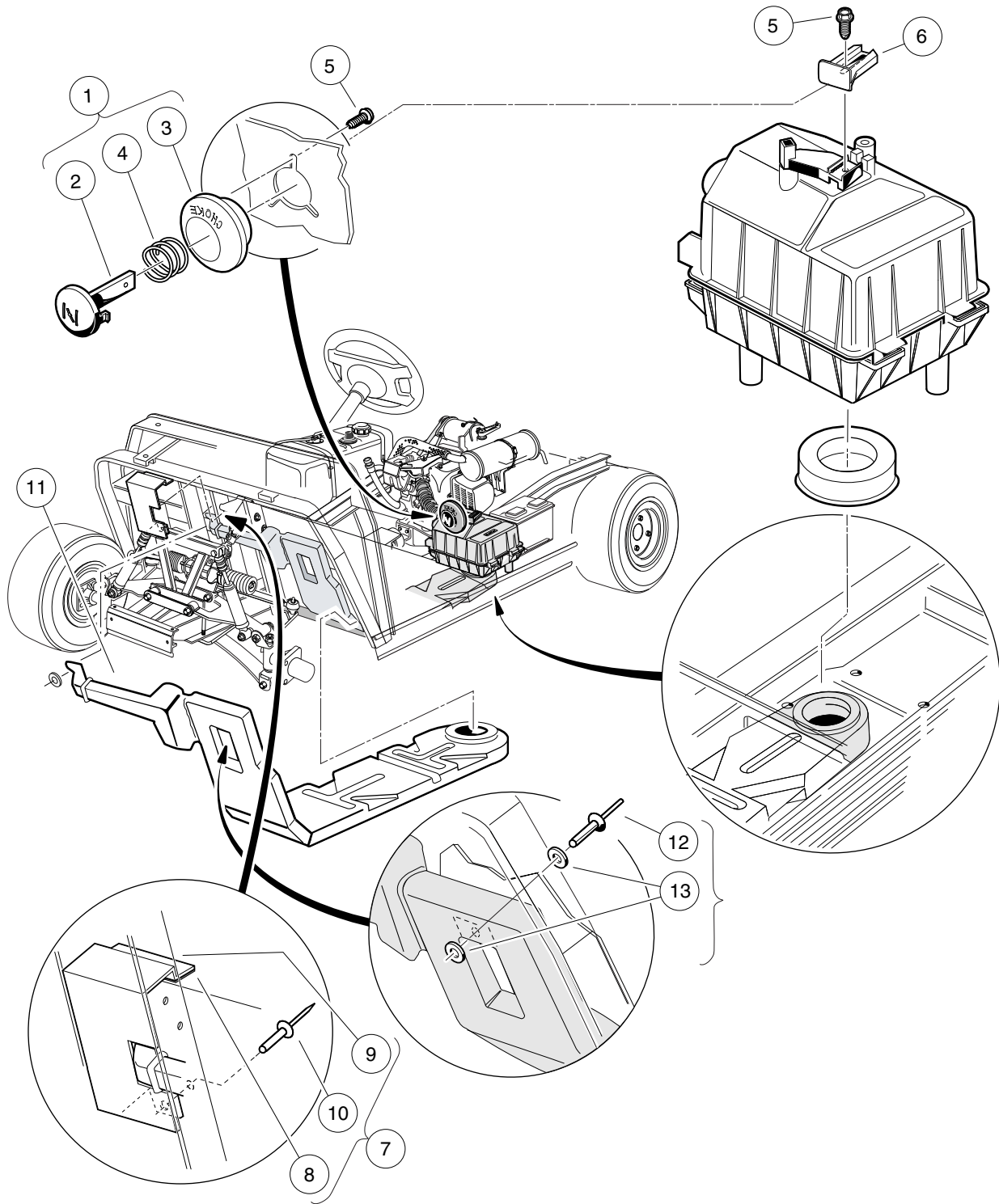
000332-001

AIR BOX AND INTAKE HOSE

| ITEM | PART NO. | DESCRIPTION | QTY |
|------|-----------|--|-----|
| | | 1 2 3 4 | |
| 1 | 1015752 | Screw, #12-16 X 0.625 Hi-Lo | 3 |
| 2 | 101821501 | Assembly, Air Box (includes items 3 through 9) | 1 |
| 3 | 1015426 | Filter, Air | 1 |
| 4 | 101804301 | Screw, #8 X 0.500, Hex-Head Hi-Lo | 2 |
| 5 | 101811901 | Bottom, Air Box | 1 |
| 6 | 101881701 | Washer, #8 Stainless-Steel Flat | 2 |
| 7 | 101921501 | Seal, Intake | 1 |
| 8 | 101925701 | Latch, Wireform | 2 |
| 9 | 101972801 | Top Assy, Air Box (includes items 10 through 16) | 1 |
| 10 | N/A | Valve, Choke | 1 |
| 11 | 101811801 | Top, Air Box | 1 |
| 12 | N/A | O-Ring, 5/16 | 1 |
| 13 | N/A | O-Ring, 3/8 | 1 |
| 14 | 101812301 | Spring, Extension Return | 1 |
| 15 | 101813001 | Retaining Ring 0.25, Shaft | 1 |
| 16 | 101917601 | Lever, Choke | 1 |
| 17 | 101837101 | Hose, Air Intake | 1 |
| 18 | 101971301 | Clamp, 1.58" ID Hose | 2 |
| 19 | 332 | Washer, 1/4 Type A Narrow Flat | 3 |

10

G



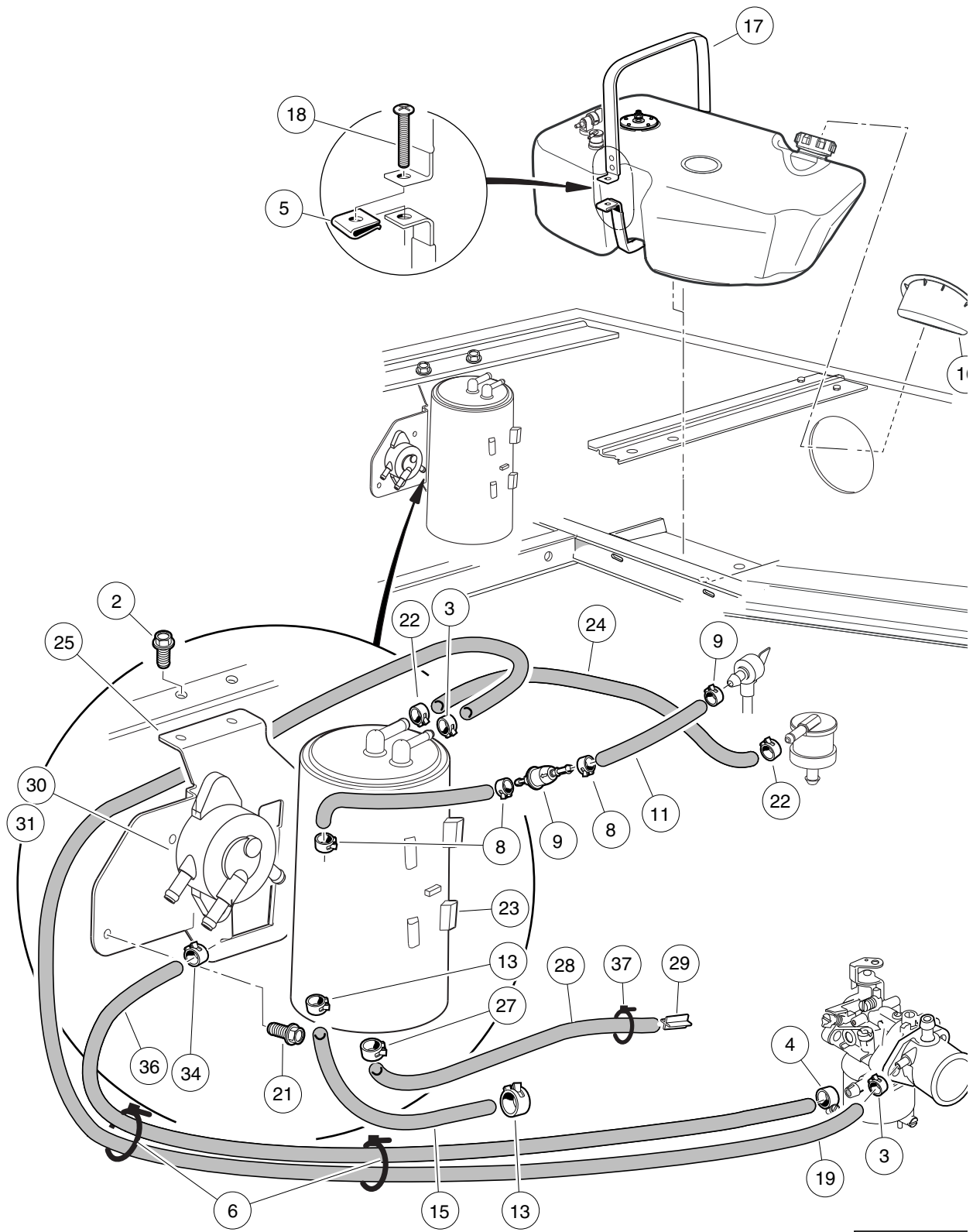
000338-001

INTAKE SYSTEM

| ITEM | PART NO. | DESCRIPTION | QTY |
|------|-----------|---|-----|
| | | 1 2 3 4 | |
| 1 | 101805701 | Button Assembly, Choke (includes items 2 through 4) | 1 |
| 2 | 101811401 | Lever, Choke | 1 |
| 3 | 101811501 | Guide, Choke Lever | 1 |
| 4 | 101856201 | Compression Spring | 1 |
| 5 | 101850301 | Screw, #12-16 X 0.50 Washer-Head Hi-Lo | 4 |
| 6 | 101917701 | Choke Positioner | 1 |
| 7 | 102190702 | Kit, Air Duct Shield (includes items 8 through 10) | 1 |
| 8 | 102185401 | Tape, 3M VHB 4950 | 1 |
| 9 | N/A | Shield, Air Duct | 1 |
| 10 | 7973 | Rivet, 3/16 X .400 Blind | 1 |
| 11 | 103520301 | Duct, Air Intake, Ds | 1 |
| 12 | 1606 | Rivet, 3/16 X .500 Alum Pop | 2 |
| 13 | 183 | Washer, #10 Type A Flat | 4 |

10

G



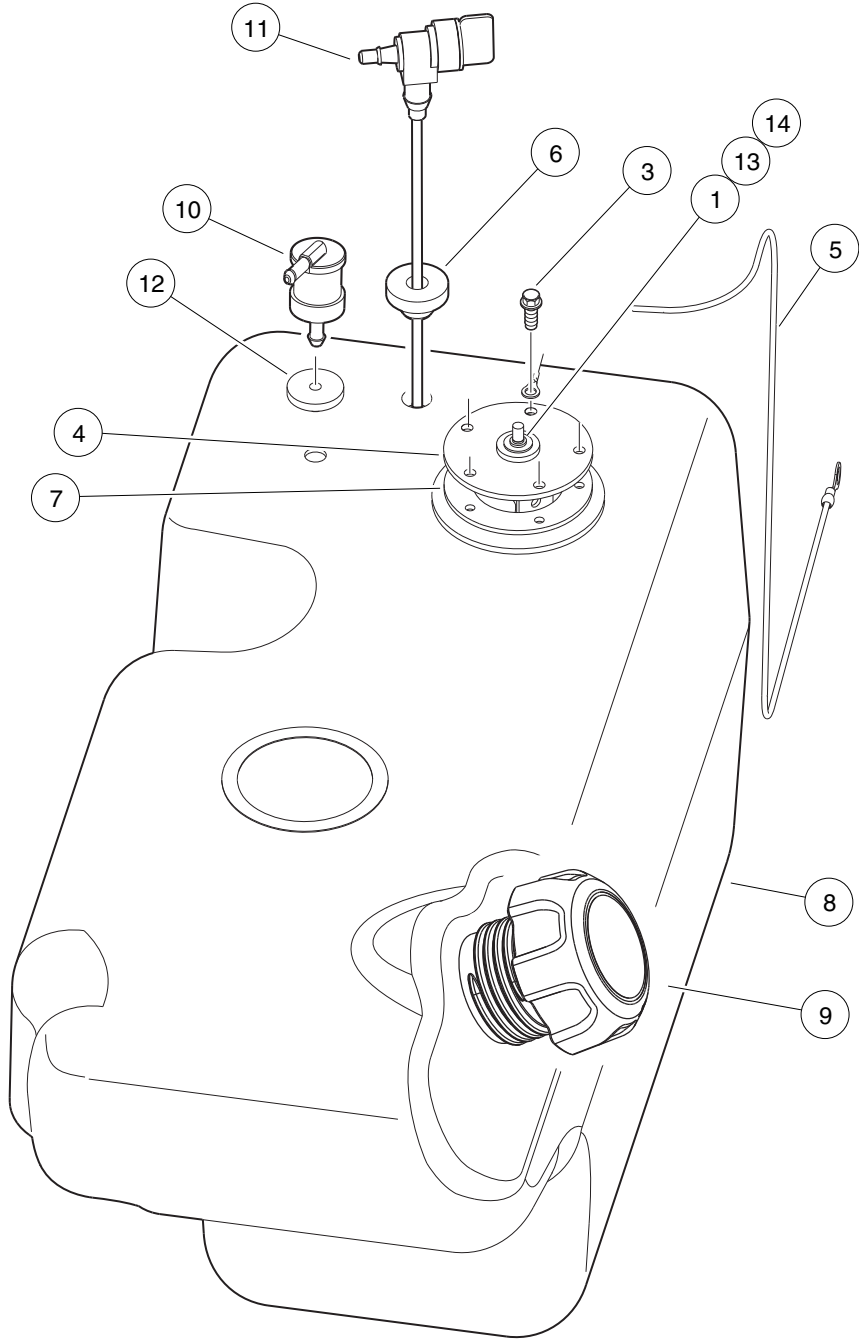
000917-001

FUEL SYSTEM

10

G

| ITEM | PART NO. | DESCRIPTION | QTY |
|------|-----------|---|-----|
| | | 1 2 3 4 | |
| 1 | N/A | Instl, Fuel Sys, Ca1, Carb (includes items 2 through 34) | 1 |
| 2 | 1012285 | Screw, 1/4 X 0.625 Hex-Head | 2 |
| 3 | 101313402 | Clamp, Green Hose | 2 |
| 4 | 1013687 | Clamp, 3/8" Hose (screw type) | 1 |
| 5 | 1014116 | Nut, 1/4-20 Speed | 1 |
| 6 | 101987701 | Clamp, Plastic Tie | 2 |
| 7 | N/A | Asm, Fuel Filter 14.93" J1737 (includes items 8 through 11) | 1 |
| 8 | 1012649 | Clamp, 0.460 Red Hose | 4 |
| 9 | 102003201 | Filter, Fuel, 30 Micron | 1 |
| 10 | N/A | Cap, Plug, Plastic | 2 |
| 11 | 102865101 | Fuel Line | 1 |
| 12 | N/A | Asm, Fuel Line 16" J1737 (includes items 13 through 15) | 1 |
| 13 | 1012649 | Clamp, 0.460 Red Hose | 2 |
| 14 | N/A | Cap, Plug, Plastic | 2 |
| 15 | 102865101 | Fuel Line | 1 |
| 16 | 102977901 | Bezel, Fuel Fill, 5.0 Dia | 1 |
| 17 | 102978001 | Strap, Fuel Tank, Side Fill | 1 |
| 18 | 103306301 | Screw, Bhsc, 1/4-20 X 2.0 | 1 |
| 19 | 103372601 | Hose, Vent, 3/16" X 28" | 1 |
| 20 | N/A | Asm, Fuel Line 17" J1737 (includes items 21 through 23) | 1 |
| 21 | 1012649 | Clamp, 0.460 Red Hose | 1 |
| 22 | N/A | Cap, Plug, Plastic | 2 |
| 23 | 102865101 | Fuel Line | 1 |
| 24 | 103721101 | Asm, Carbon Canister, Ca6 (includes items 25 through 31) | 1 |
| 25 | 101313402 | Clamp, Green Hose | 1 |
| 26 | 1013746 | Clamp, 0.301 ID Hose | 2 |
| 27 | 101587702 | Hose, Fuel, Vent, 40" Long | 1 |
| 28 | 103372401 | Canister, Carbon, Fuel Tank | 1 |
| 29 | 103452002 | Brkt, Mtg, Carb Can, Style B | 1 |
| 30 | 103452101 | Hose, Vent, Carbon Canister | 1 |
| 31 | 103756401 | Asm, Vent Line, Evap Canister (includes items 32 and 33) | 1 |
| 32 | 103428101 | Hose, Vent, 5/16 Id Bulk | 1 |
| 33 | 103439701 | Vent, Barb, 5/16 Dia Hose | 1 |
| 34 | 8639 | Tie Wrap, 11" Nylon | 1 |
| | | Note: Total fuel line length: 47 inches (119.4 cm) | |



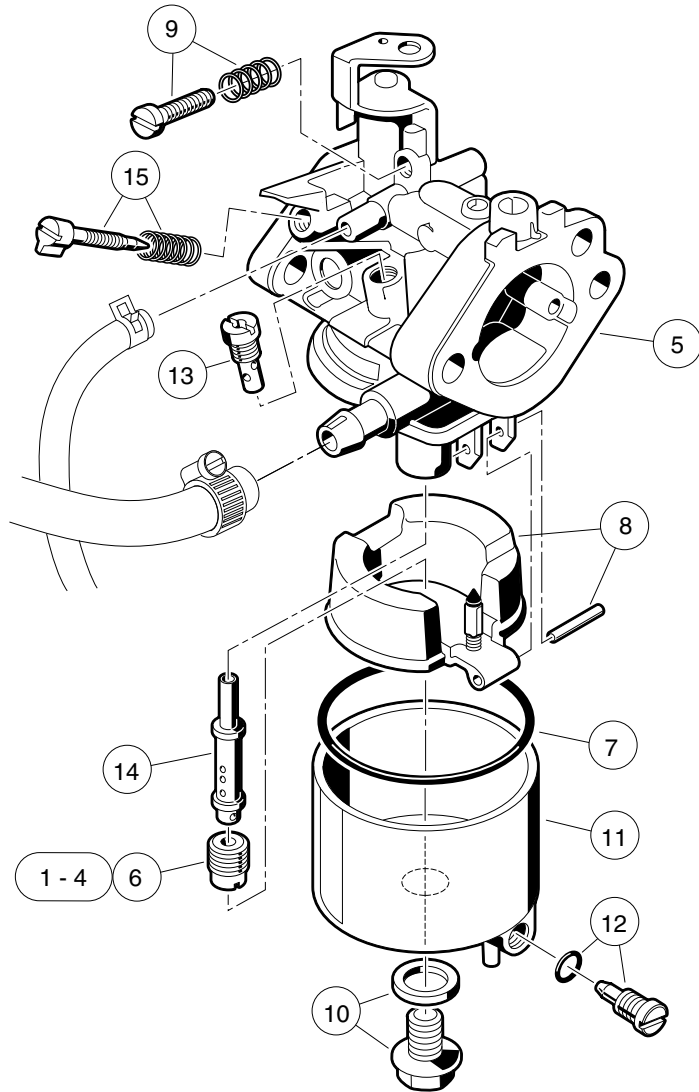
000609-002

FUEL TANK (CALIFORNIA) WITH SENDING UNIT

| ITEM | PART NO. | DESCRIPTION | QTY |
|------|-----------|--|-----|
| | | 1 2 3 4 | |
| 1 | 1016 | Lockwasher, #10 Split | 1 |
| 2 | 103369101 | Asm, Fuel Tank,side Fill,nano (includes items 3 through 12) | 1 |
| 3 | 1013461 | Screw, #10-16 Hex-Head Hi-Lo | 5 |
| 4 | 1013462 | Sending Unit, Fuel Level * | 1 |
| 5 | 1015921 | Wire Assembly #16 Black | 1 |
| 6 | 102406701 | Bushing, Line, Return | 1 |
| 7 | 102522001 | Gasket, Rubber | 1 |
| 8 | N/A | Tank, Fuel,side Fill,nano | 1 |
| 9 | 103372101 | Cap, Fuel Tank, Gas, Ratchet | 1 |
| 10 | 103372201 | Vent, Fuel Tank, W/ Valve | 1 |
| 11 | 103372301 | Valve, Fuel, 259mm | 1 |
| 12 | 103374701 | Grommet, Fuel Tank Vent | 1 |
| 13 | 183 | Washer, #10 Type A Flat | 1 |
| 14 | 8797 | Nut, #10-32 Brass Hex | 1 |
| | | * Note: Must replace fuel sending unit gasket when servicing this component. | |

10

G



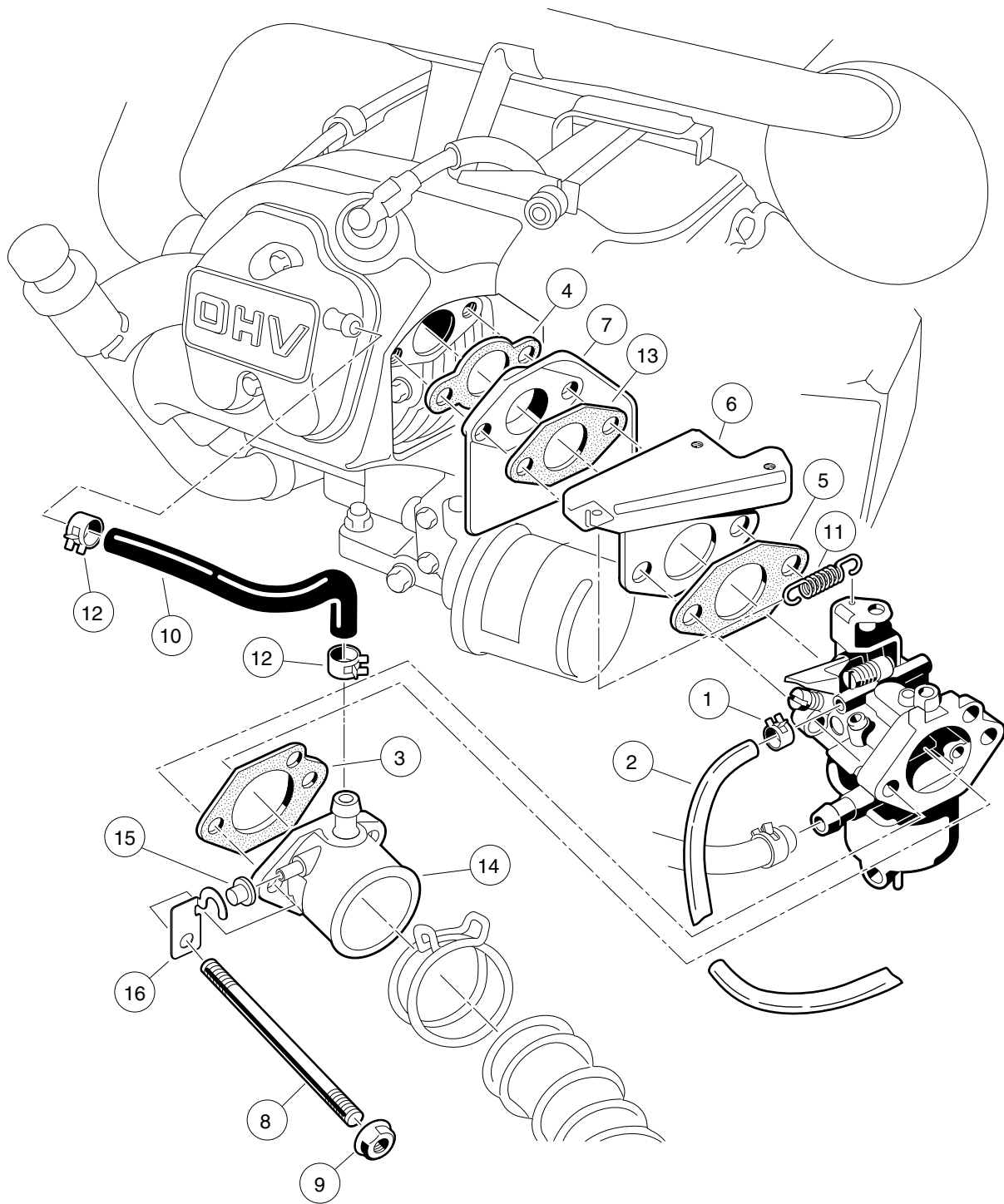
000212-002

CARBURETOR ASSEMBLY – FE350 S27

| ITEM | PART NO. | DESCRIPTION | QTY |
|---|-----------|----------------------------------|-----|
| | | 1 2 3 4 | |
| 1 | 101642575 | Jet, Altitude, # 75 | 1 |
| 2 | 101642578 | Jet, Altitude, # 78 | 1 |
| 3 | 101642580 | Jet, Altitude, # 80 | 1 |
| 4 | 101642582 | Jet, Altitude, # 82 | 1 |
| 5 | 103616901 | Carburetor Fe350 Precedent | 1 |
| <p style="margin: 0;">Note: 101642582 for 0 - 3,200 feet; 101642580 for 3,200 - 6,500 feet; 101642578 for 6,500 - 9,800 feet; 101642576 for 9,800 feet and higher.</p> | | | |

10

G



000214-002

CARBURETOR INSTALLATION – FE350 S27

| ITEM | PART NO. | DESCRIPTION | QTY |
|------|-----------|---|-----|
| | | 1 2 3 4 | |
| 1 | 1013746 | Clamp, 0.301 ID Hose | 1 |
| 2 | 1015137 | Fuel Line (available by the foot) | 1 |
| 3 | 1016438 | Gasket, Carb To Intake Manifold | 1 |
| 4 | 1016440 | Gasket, Engine to Insulator | 1 |
| 5 | 1016441 | Gasket, Sprg Brkt To Carb OHV | 1 |
| 6 | 1016444 | Bracket, Throttle Spring Return | 1 |
| 7 | 101648102 | Insulator, Carburetor | 1 |
| 8 | 101649002 | Stud, M6-1.00 Two-Ended | 2 |
| 9 | 1016547 | Nut, M6 Flange | 2 |
| 10 | 1016572 | Tube, Crankcase Vent | 1 |
| 11 | 1016582 | Spring, Throttle Return | 1 |
| 12 | 1017466 | Clamp | 2 |
| 13 | 101973401 | Gasket, Insulator To Bracket | 1 |
| 14 | 103507101 | Carburetor Adapter w/ Tap | 1 |
| 15 | 103507201 | Plug, Intake Manifold, Carb | 1 |
| 16 | 103507301 | Bracket, Intake Manifold, Carb | 1 |

10
G

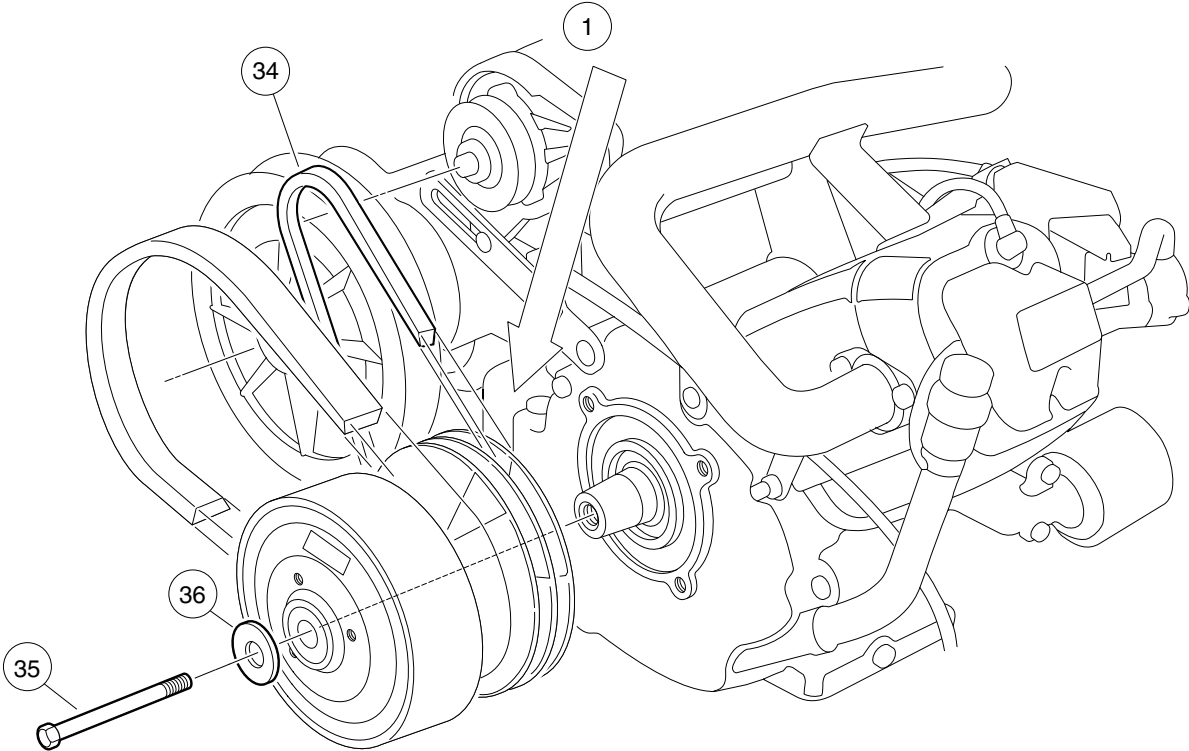
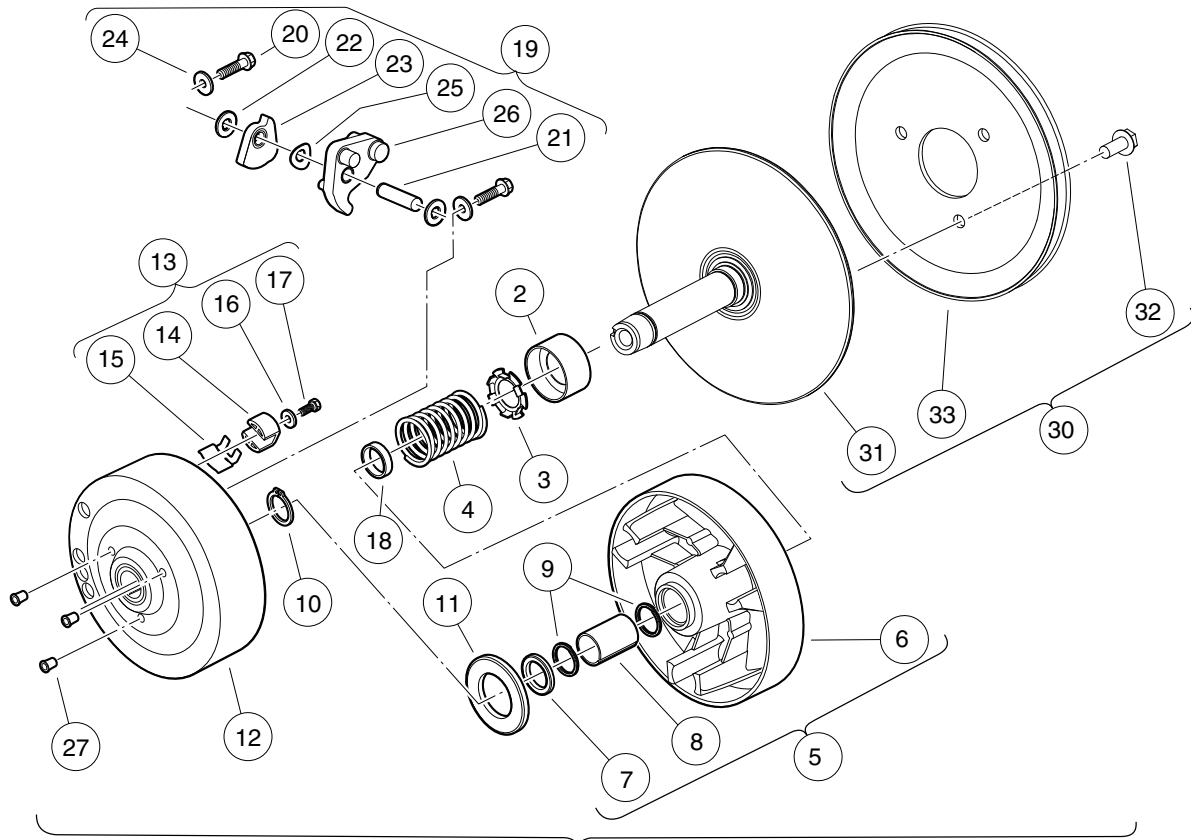
10

G

TORQUE CONVERTER

11

G

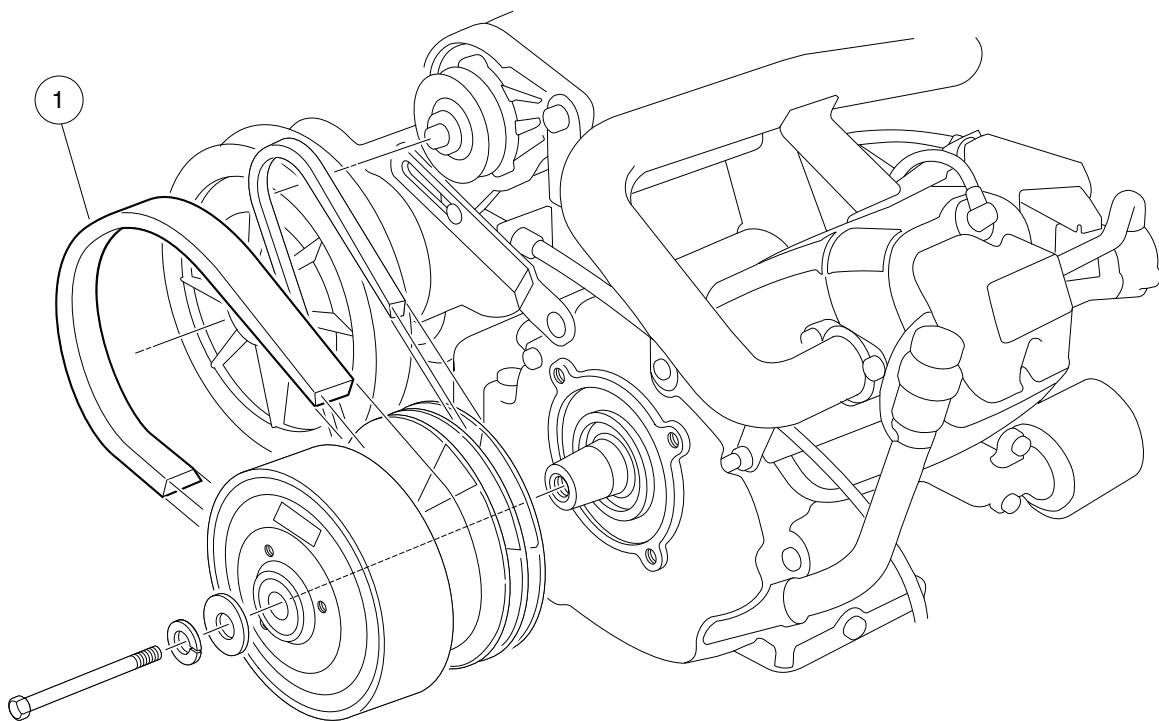


000217-001

DRIVE CLUTCH

11
G

| ITEM | PART NO. | DESCRIPTION | QTY |
|------|-----------|---|-----|
| | | 1 2 3 4 | |
| 1 | 101833902 | Clutch, Drive (includes items 2 through 28) | 1 |
| 2 | 1014049 | Bearing, Idler | 1 |
| 3 | 1014050 | Retainer, Spring | 1 |
| 4 | 1014051 | Spring, Drive Clutch | 1 |
| 5 | 1014052 | Movable-Face Assembly (includes items 6 through 8) | 1 |
| 6 | N/A | Drive Clutch Movable Face | 1 |
| 7 | 1014055 | Retainer | 1 |
| 8 | N/A | Bushing, Split, Drive Clutch | 1 |
| 9 | 1014056 | Ring, Spiral Backup | 2 |
| 10 | 1014057 | Ring, 0.810" Internal Retaining | 1 |
| 11 | 1014058 | Thrust Washer | 1 |
| 12 | 1014059 | Drive Hub Assy, Drive Clutch | 1 |
| 13 | 1014453 | Kit, Drive Clutch Button (includes items 14 through 17) | 1 |
| 14 | 1014062 | Driver, Drive Clutch | 3 |
| 15 | 1014287 | Spring, Drive Button | 3 |
| 16 | 183 | Washer, #10 Type A Flat | 3 |
| 17 | 8450 | Screw, #10-24 X 0.50 Hex-Head | 3 |
| 18 | 1016289 | Spacer, Fixed Face Shaft | 1 |
| 19 | 1016801 | Kit, Drive Clutch Weight (includes items 20 through 26) | 1 |
| 20 | 1014063 | Screw, 1/4-20 X 1.00 Hex Head | 6 |
| 21 | N/A | Pin, 0.3752 X 1.50 Dowel | 3 |
| 22 | 1014065 | Washer, 0.38" ID Delrin Flat | 6 |
| 23 | N/A | Clutch Weight, Secondary | 3 |
| 24 | N/A | Washer | 6 |
| 25 | 1016201 | Washer, Wave | 3 |
| 26 | N/A | Weight, Primary | 3 |
| 27 | 101925601 | Plug, Drive Clutch | 3 |
| 28 | 101929802 | Kit, Fxd Face Dr Asm Fe290/350 (includes items 29 and 30) | 1 |
| 29 | N/A | Desiccant Bag (Not Shown) | 1 |
| 30 | 101929801 | Assembly, Fixed-Face Drive (includes items 31 through 33) | 1 |
| 31 | N/A | Fixed Face Assembly, Drive Clutch | 1 |
| 32 | 1014288 | Screw, 5/16-18 X 0.75 Thread-Forming | 3 |
| 33 | N/A | Pulley, Clutch | 1 |
| 34 | 101916701 | V-Belt | 1 |
| 35 | 103345701 | Screw 3/8-24x5.5 Hex Loc Ptch | 1 |
| 36 | 808 | Washer, 3/8 Type B Flat | 1 |
| | | Note: Item 29 not shown. | |



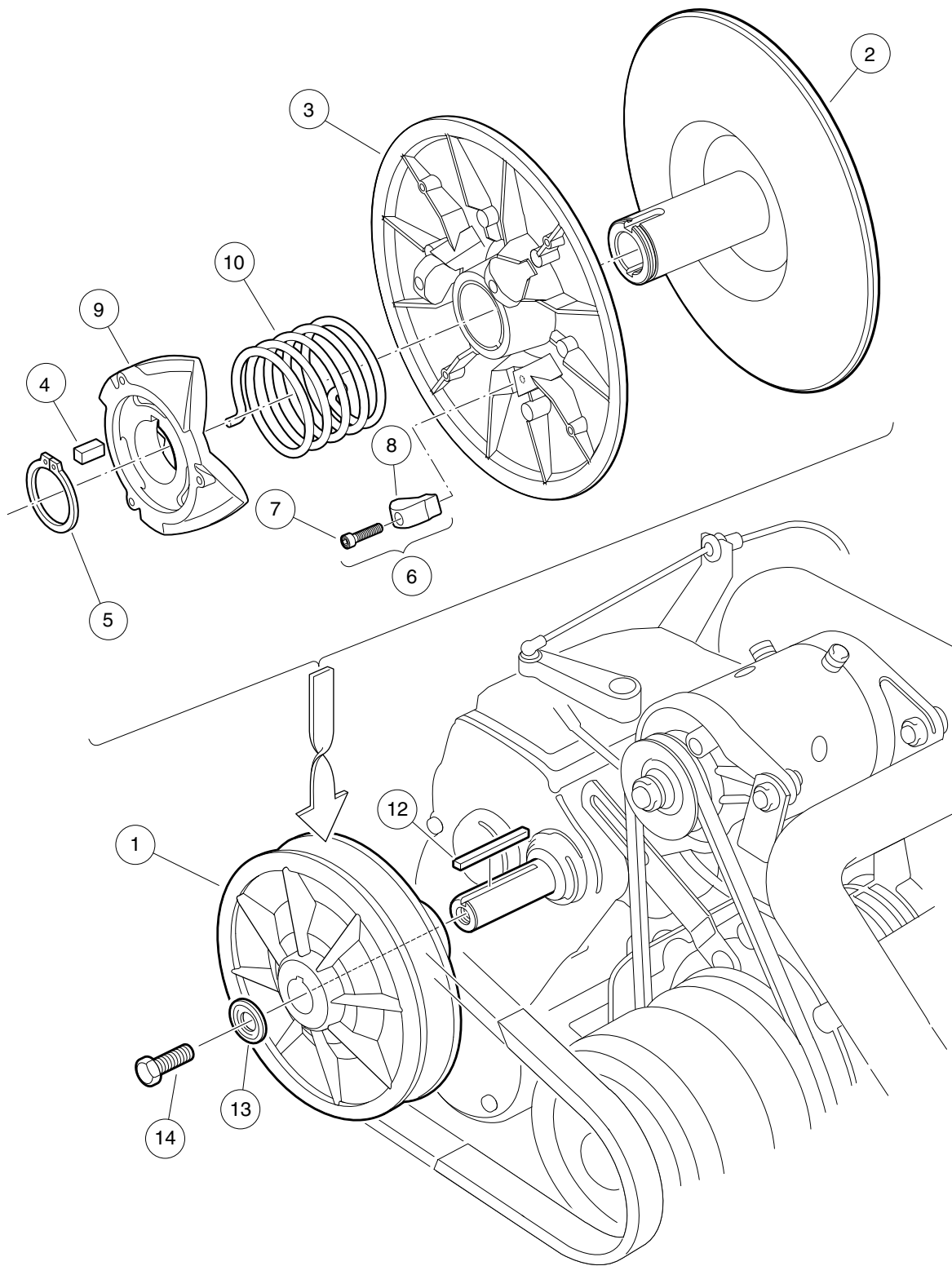
000218-001

DRIVE BELT – FE350

| ITEM | PART NO. | DESCRIPTION | QTY |
|------|----------|---|-----|
| 1 | 1017188 | <div style="display: flex; justify-content: space-between; margin-bottom: 5px;"> 1 2 3 4 </div> Belt, Drive (FE350) | 1 |

11

G



000219-001

DRIVEN CLUTCH

| ITEM | PART NO. | DESCRIPTION | QTY |
|------|-----------|---|-----|
| | | 1 2 3 4 | |
| 1 | 101834001 | Assembly, Driven Clutch (includes items 2 through 10) | 1 |
| 2 | 1014070 | Fixed Face Assy, Driven Clutch | 1 |
| 3 | 1014072 | Movable-Face Assembly with Bushing | 1 |
| 4 | 1014078 | Key, Driven Clutch | 1 |
| 5 | 1014080 | Ring, Retaining | 1 |
| 6 | 1014454 | Kit, Driven Clutch Button (includes items 7 and 8) | 1 |
| 7 | 1012836 | Screw, #8-32 X 3/4 Socket-Head Cap | 3 |
| 8 | 1014076 | Button, Drive | 3 |
| 9 | 1017686 | Cam, Driven Clutch | 1 |
| 10 | 101836201 | Spring, Driven Clutch, Reversed | 1 |
| 11 | AM10419 | Kit, Clutch Repair (includes items 12 through 14) | 1 |
| 12 | 101833401 | Key, 3/16 Sq X 1.50" | 1 |
| 13 | 102155801 | Washer, Driven Clutch | 1 |
| 14 | 102242101 | Screw, 5/16-18 X 3/4 Hex-Head with Patch | 1 |

11
G

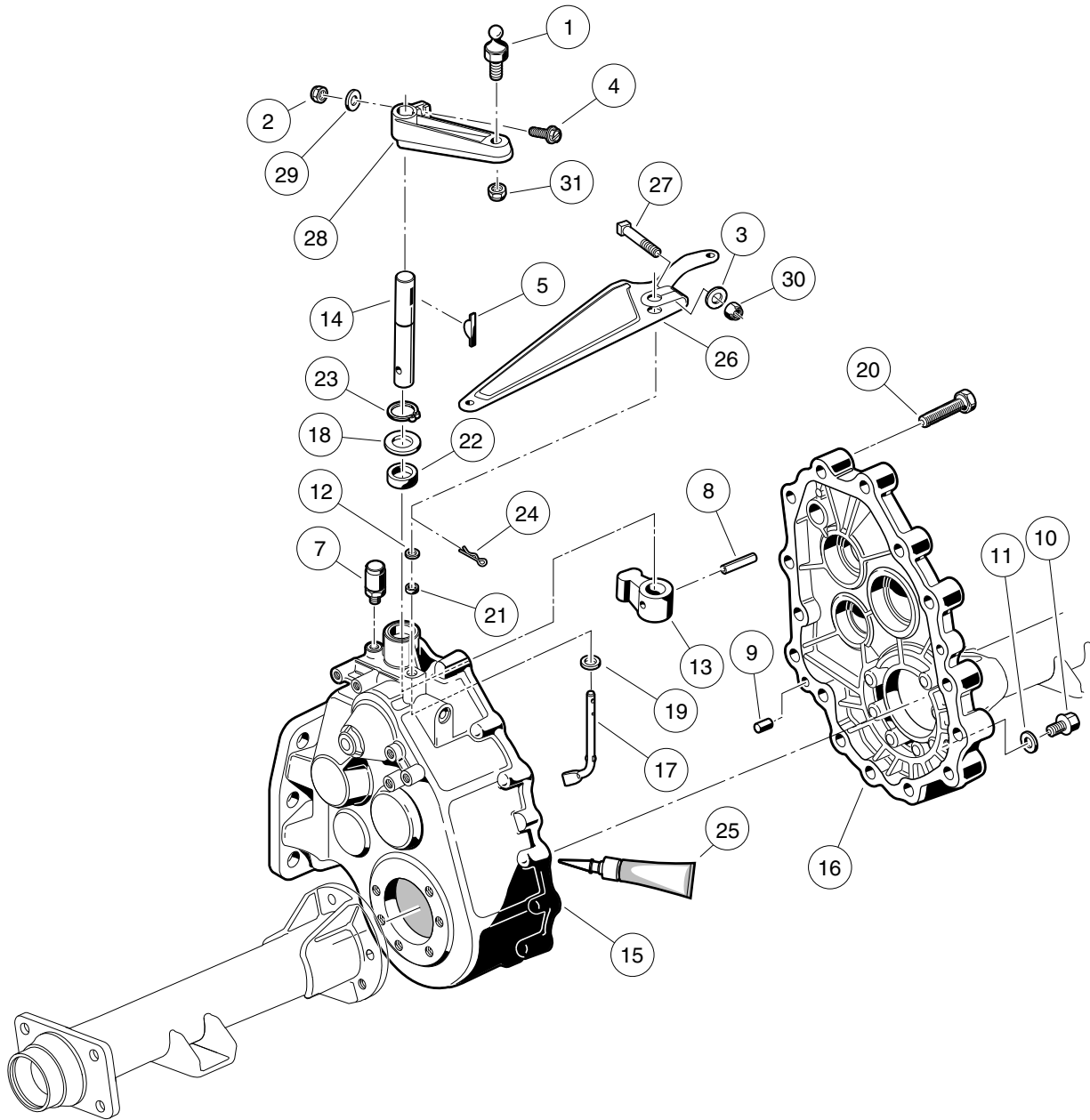
11

G

UNITIZED TRANSAXLE AND FORWARD/REVERSE SHIFTER

12

G



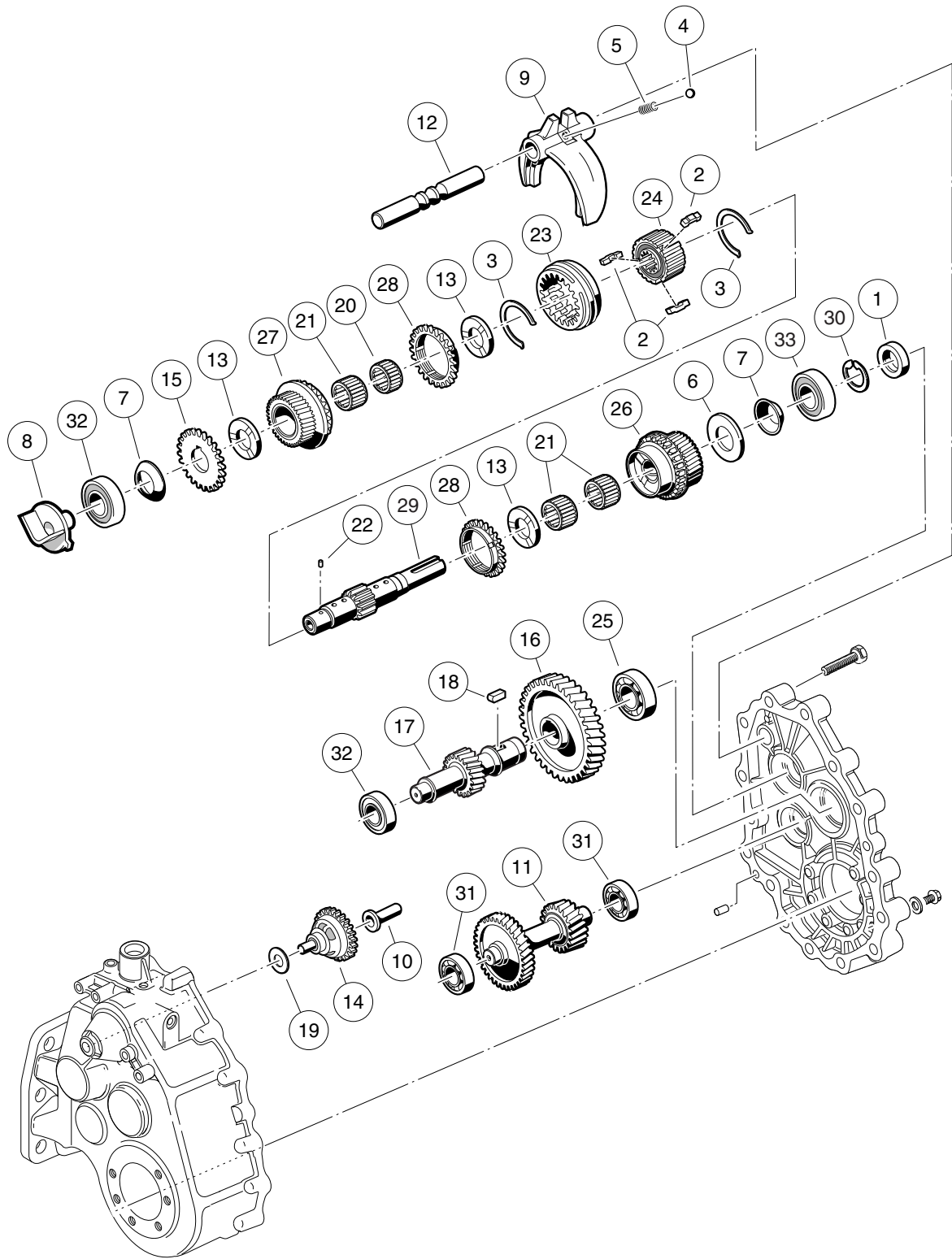
000220-004

TRANSAXLE – GASOLINE VEHICLES, GEAR CASES AND BRACKETS

| ITEM | PART NO. | DESCRIPTION | QTY |
|------|-----------|--|-----|
| | | 1 2 3 4 | |
| 1 | 1010954 | Stud, 1/4-28 X 0.560 Ball | 1 |
| 2 | 1013061 | Locknut, #10-32 Nylon Insert | 1 |
| 3 | 1014007 | Washer, 1/4 Flat | 1 |
| 4 | 1017082 | Screw, #10-32 X 0.75, Hex-Head Machine | 1 |
| 5 | 1017231 | Key, Woodruff | 1 |
| 6 | 101833601 | Transaxle, 11.77 Ratio (includes items 7 through 25) | 1 |
| 7 | 1012711 | Breather | 1 |
| 8 | 1012752 | Roll Pin | 1 |
| 9 | 1012896 | Pin, Dowel | 2 |
| 10 | 1013760 | Fill Plug | 2 |
| 11 | 1016432 | Gasket, Drain Plug | 1 |
| 12 | 1016513 | Washer, M6 Flat | 1 |
| 13 | 101890101 | Lever, Change | 1 |
| 14 | 101890201 | Shaft - Change | 1 |
| 15 | 101890501 | Gear Case (driver side) | 1 |
| 16 | 101890601 | Gear Case (passenger side) | 1 |
| 17 | 101891301 | Arm Pivot | 1 |
| 18 | 101892901 | Washer | 1 |
| 19 | 101893801 | Washer | 1 |
| 20 | 101926901 | Screw, M8-1.25 X 40mm Hex-Head | 15 |
| 21 | 101927101 | Seal, Oil | 1 |
| 22 | 101927201 | Seal, Oil | 1 |
| 23 | 101927301 | Snap Ring | 1 |
| 24 | 101928601 | Pin, Cotter | 1 |
| 25 | 101928701 | Liquid Gasket (Transaxle case) | 1 |
| 26 | 101834801 | Arm, Governor | 1 |
| 27 | 101886101 | Screw, 1/4-20 X 1.00 Square-Head | 1 |
| 28 | 102515401 | Lever, Transmission Shift | 1 |
| 29 | 183 | Washer, #10 Type A Flat | 1 |
| 30 | 8233 | Locknut, 1/4-20 Nylon Insert | 1 |
| 31 | 8717 | Locknut, 1/4-28 Nylon Insert | 1 |

12

G



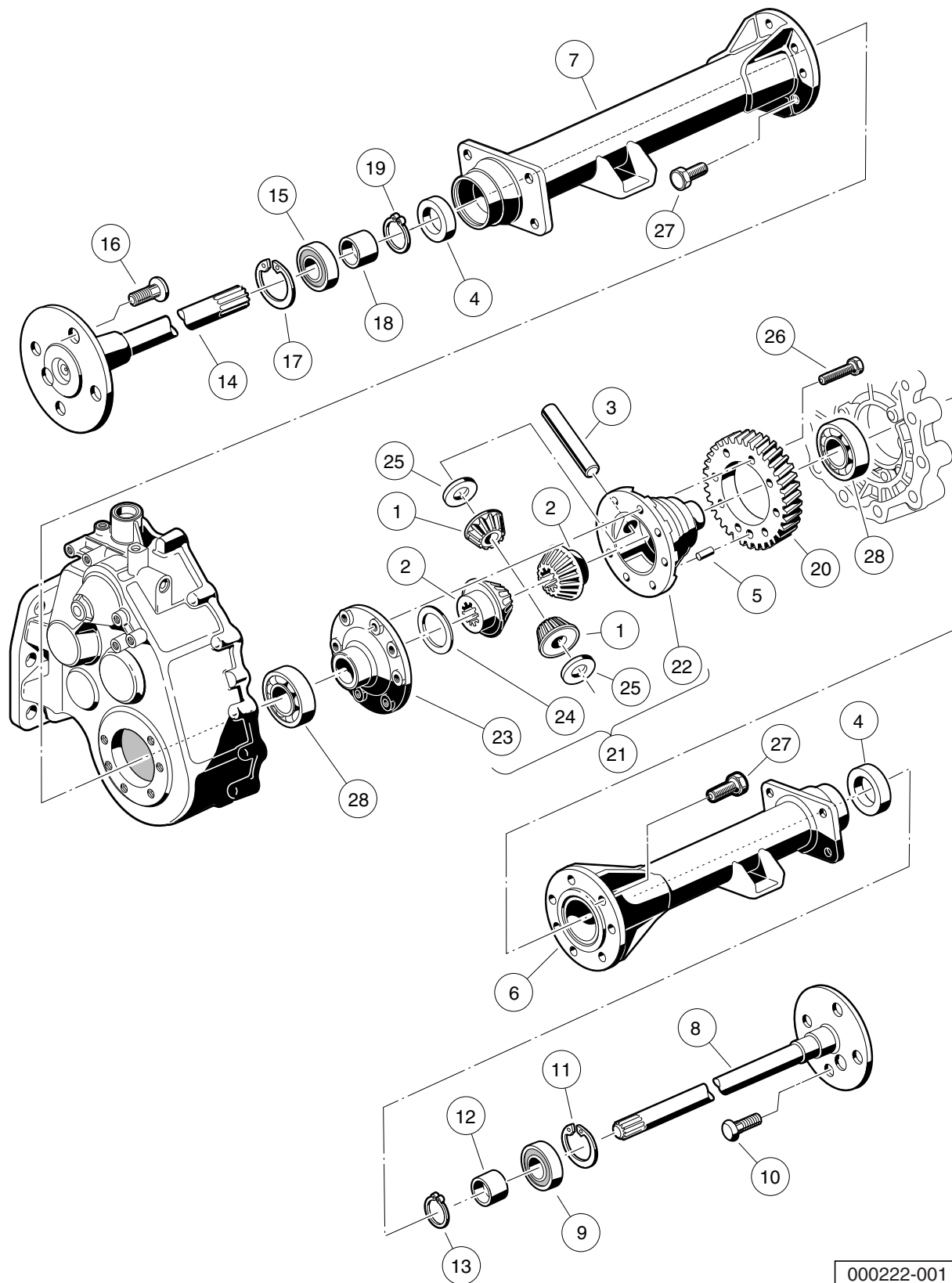
000221-001

TRANSAXLE – GASOLINE VEHICLES, TRANSMISSION AND GEAR REDUCTION

12

G

| ITEM | PART NO. | DESCRIPTION | QTY |
|---|-----------|--|-----|
| | | 1 2 3 4 | |
| 1 | 1012714 | Oil Seal | 1 |
| 2 | 1012740 | Synchro Insert | 3 |
| 3 | 1012741 | Synchro Spring | 2 |
| 4 | 1012747 | Shifter Ball | 1 |
| 5 | 1012748 | Shifter Spring | 1 |
| 6 | 1016337 | Washer, Thrust | 1 |
| 7 | 1016338 | Washer, Spring | 2 |
| 8 | 101889401 | Guide | 1 |
| 9 | 101890001 | Fork - Shift | 1 |
| 10 | 101891601 | Sleeve, Governor | 1 |
| 11 | 101891901 | Gear, Cluster | 1 |
| 12 | 101892001 | Rod, Shift | 1 |
| 13 | 101892201 | Plate, Thrust | 3 |
| 14 | 101892301 | Governor Assembly | 1 |
| 15 | 101892401 | Gear, Spur | 1 |
| 16 | 101892501 | Gear, Helical (61 Tooth) | 1 |
| 17 | 101892601 | Gear, Helical (17 Tooth) | 1 |
| 18 | 101893201 | Key Sunk | 1 |
| 19 | 101893901 | Washer | 1 |
| 20 | 101927501 | Needle Bearing | 1 |
| 21 | 101927601 | Needle Bearing | 3 |
| 22 | 101927701 | Pin, .116" Dia X 0.264 Dowel | 1 |
| 23 | 101927901 | Sleeve, Synchro | 1 |
| 24 | 101928001 | Hub, Synchro Clutch | 1 |
| 25 | 101928101 | Bearing, Ball | 1 |
| 26 | 101980801 | Gear Assembly, 16-Degree Synchro (25 Tooth) | 1 |
| 27 | 101980901 | Gear Assembly, 16-Degree Rear Synchro (28 Tooth) | 1 |
| 28 | 101981001 | Ring, 16-Degree Synchronizer | 2 |
| 29 | 102453001 | Shaft, Trans, with Circlip | 1 |
| 30 | 102453101 | Circlip | 1 |
| 31 | 7335 | Bearing | 2 |
| 32 | AM10080 | Bearing, Ball, Sealed | 2 |
| 33 | AM10081 | Bearing, Ball, Sealed | 1 |
| Note: Items listed on this page are components of the unitized transaxle. | | | |



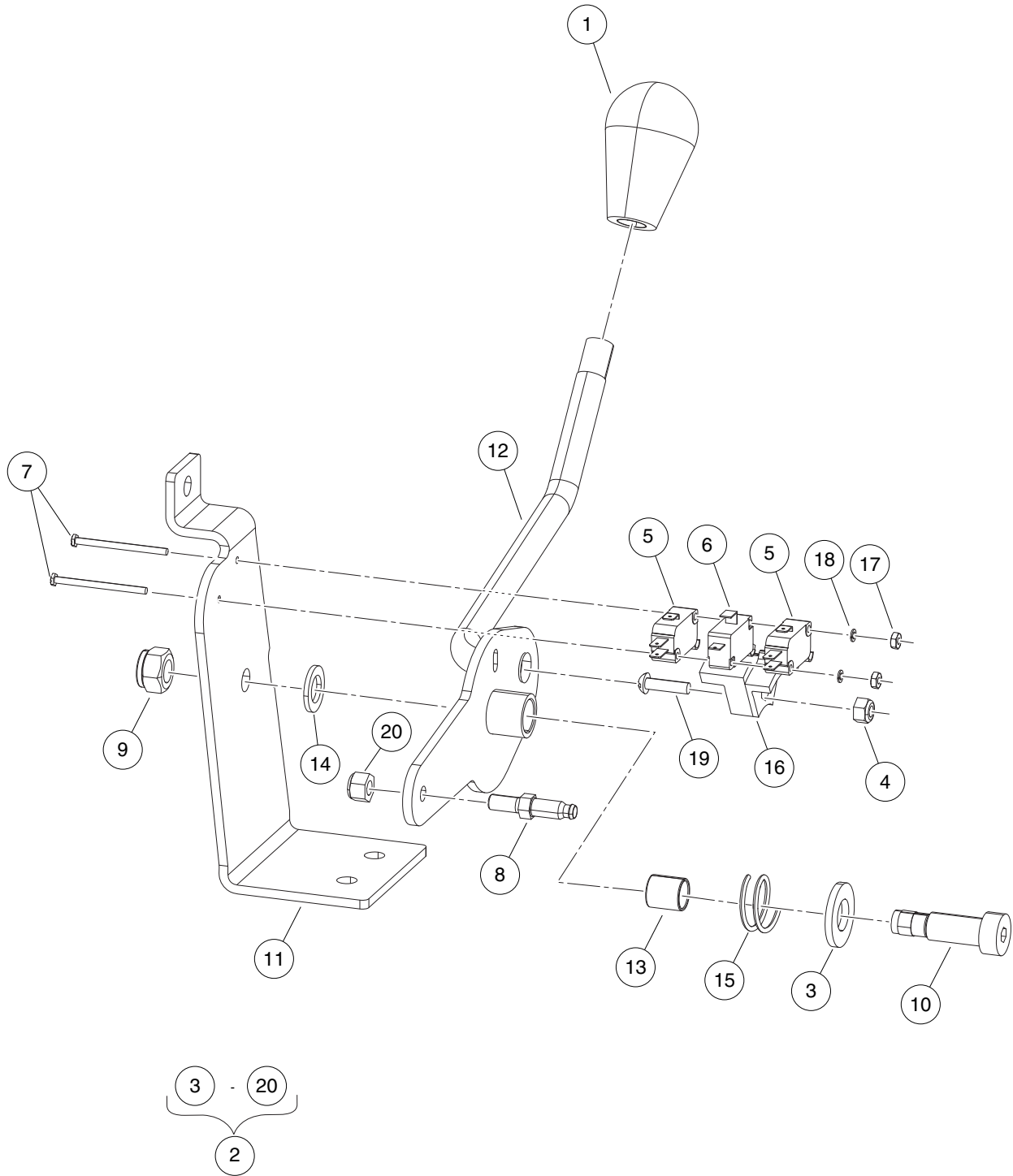
000222-001

TRANSAXLE – GASOLINE VEHICLES, DIFFERENTIAL AND AXLES

| ITEM | PART NO. | DESCRIPTION | QTY |
|------|-----------|---|-----|
| | | 1 2 3 4 | |
| 1 | 1013770 | Differential Idler Gear | 2 |
| 2 | 1013771 | Gear, Differential | 2 |
| 3 | 1013772 | Pin, Differential | 1 |
| 4 | 1013794 | Axle Shaft Oil Seal | 2 |
| 5 | 1014193 | Dowel Pin | 1 |
| 6 | 101890901 | Pipe | 1 |
| 7 | 101891001 | Pipe | 1 |
| 8 | 101891401 | Axle Assembly, Passenger Side (includes items 9 through 13) | 1 |
| 9 | 1011291 | Outer Axle, Tube Bearing | 1 |
| 10 | 1013787 | Lug Stud | 4 |
| 11 | 1013792 | Circlip Type C | 1 |
| 12 | 1014207 | Bushing | 1 |
| 13 | 1016672 | Retaining Ring | 1 |
| 14 | 101891501 | Axle Assembly, Driver-Side (includes items 15 through 19) | 1 |
| 15 | 1011291 | Outer Axle, Tube Bearing | 1 |
| 16 | 1013787 | Lug Stud | 4 |
| 17 | 1013792 | Circlip Type C | 1 |
| 18 | 1014207 | Bushing | 1 |
| 19 | 1016672 | Retaining Ring | 1 |
| 20 | 101892701 | Gear, Helical | 1 |
| 21 | 101910501 | Kit, Differential Gear Case (includes items 22 through 25) | 1 |
| 22 | 1013768 | Differential Gear Case, Left-Hand | 1 |
| 23 | 1013769 | Differential Gear Case, Right-Hand | 1 |
| 24 | 1013773 | Plate, Thrust (Differential Gear) | 1 |
| 25 | 1013774 | Plate, Thrust (Idler Gear) | 2 |
| 26 | 101928301 | Screw, M8-1.25 X 35mm Hex Head | 8 |
| 27 | 102031901 | Bolt, M10 X 1.5 X 30mm | 14 |
| 28 | 7330 | Inner Axle Tube Bearing | 2 |

12
G

12
G

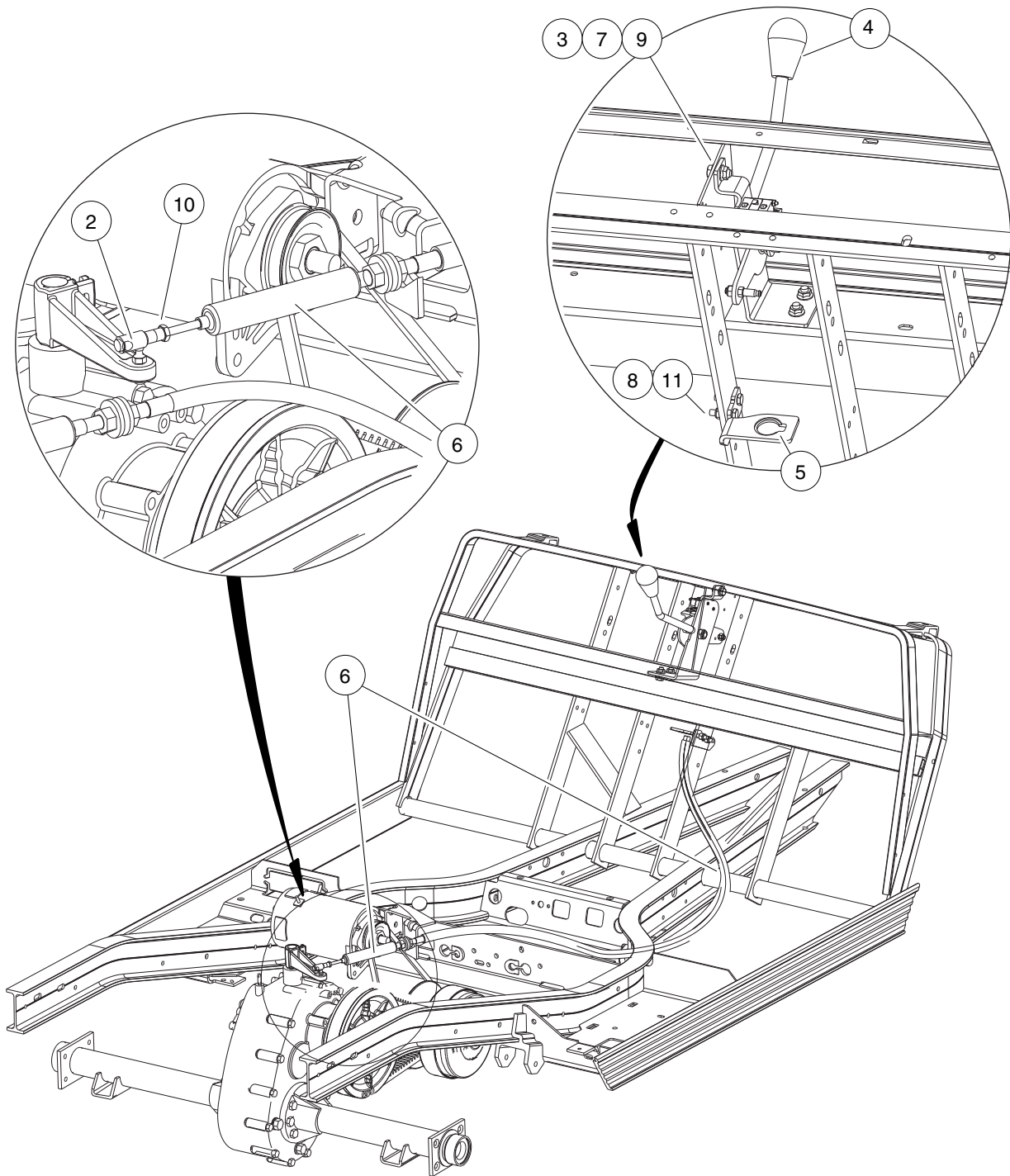


000563-001

FORWARD/REVERSE SHIFTER

| ITEM | PART NO. | DESCRIPTION | QTY |
|------|-----------|---|-----|
| | | 1 2 3 4 | |
| 1 | 102376001 | Knob, Fnr | 1 |
| 2 | 102969901 | Asm, Shifter, FNR (includes items 3 through 20) | 1 |
| 3 | 1010028 | Washer, 1/2 Type A Flat | 1 |
| 4 | 1013061 | Locknut, #10-32 Nylon Insert | 1 |
| 5 | 1014807 | Switch, Limit | 2 |
| 6 | 1014808 | Switch, Limit | 1 |
| 7 | 1015878 | Screw, #4-40 Hex Head Machine | 2 |
| 8 | 102526201 | Stud, Thread, 1/4-28 | 1 |
| 9 | 102616701 | Locknut, M10x1.5 Nylon Insert | 1 |
| 10 | 102684602 | Shoulder Bolt, M12 X 25.0 | 1 |
| 11 | 102969401 | Bracket, Shifter, FNR | 1 |
| 12 | 102969801 | Weldment, Shift Lever, FNR | 1 |
| 13 | 103173301 | Bushing, Greaseless, 12mm Id | 1 |
| 14 | 103177401 | Washer, Thrust, Shifter, FNR | 1 |
| 15 | 103192701 | Spring, Comp, .97 Od X.75 L | 1 |
| 16 | 103369501 | Cam, Limit Switch, Fnr Shifter | 1 |
| 17 | 8057 | Nut, #4-40 Hex Machine | 2 |
| 18 | 8058 | Lockwasher, #4 Split | 2 |
| 19 | 8104 | Screw, #10-32 X .75 Rd Hd Mach | 1 |
| 20 | 8717 | Locknut, 1/4-28 Nylon Insert | 1 |

12
G



000573-001

FORWARD/REVERSE SHIFTER CABLE

| ITEM | PART NO. | DESCRIPTION | QTY |
|------|-----------|--|-----|
| | | 1 2 3 4 | |
| 1 | N/A | Installation, Shifter, FNR (includes items 2 through 11) | 1 |
| 2 | 1012333 | Joint, #10-32 Ball | 1 |
| 3 | 101963401 | Locknut, 5/16-18 Hex Flange | 3 |
| 4 | 102376001 | Knob, Fnr | 1 |
| 5 | 103295101 | Brkt, Spt, Cable End, Fnr | 1 |
| 6 | 103295201 | Cable, Trans, Ball End, 1550mm | 1 |
| 7 | 1241 | Washer, 5/16 Type A Flat | 3 |
| 8 | 304 | Screw, 1/4-20 X 1.0 Hex-Head Cap | 2 |
| 9 | 7173 | Screw, 5/16-18 X 0.75 Hex-Head Cap | 3 |
| 10 | 7893 | Nut, #10-32 Hex | 1 |
| 11 | 8233 | Locknut, 1/4-20 Nylon Insert | 2 |

12

G

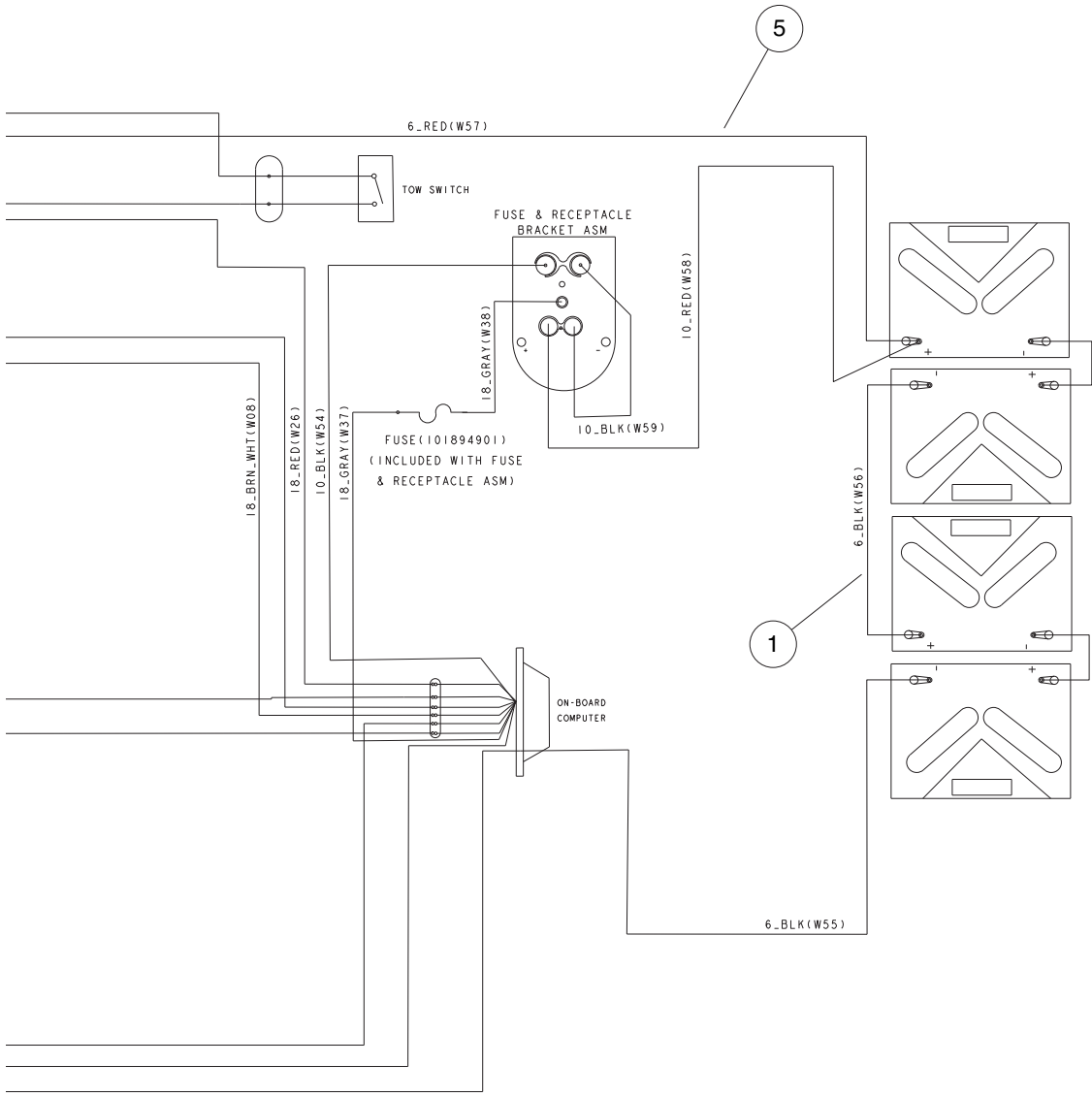
12

G

ELECTRICAL SYSTEM – ELECTRIC VEHICLES

13

E



000606-002

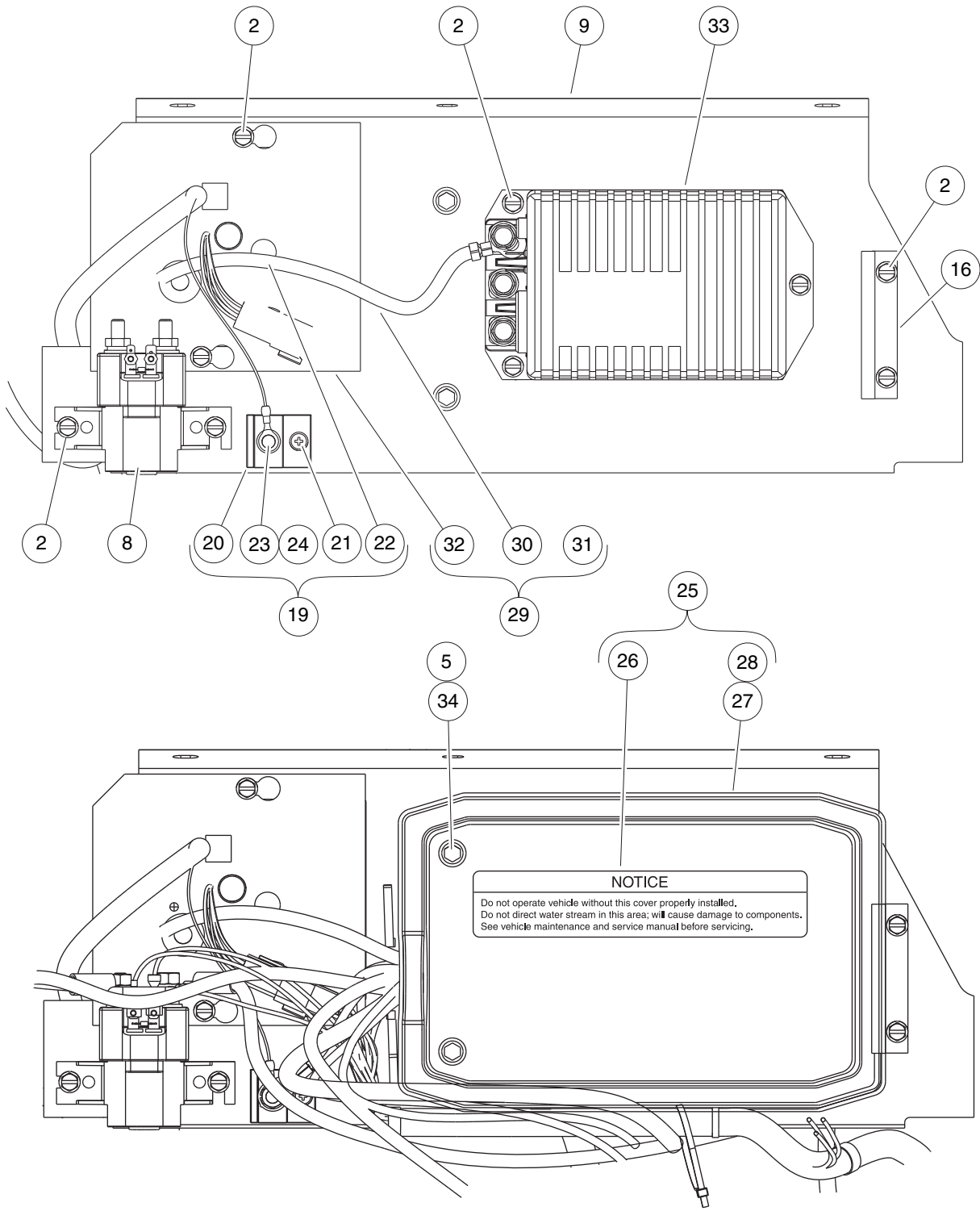
See previous two pages for illustration.

WIRING – ELECTRIC VEHICLE

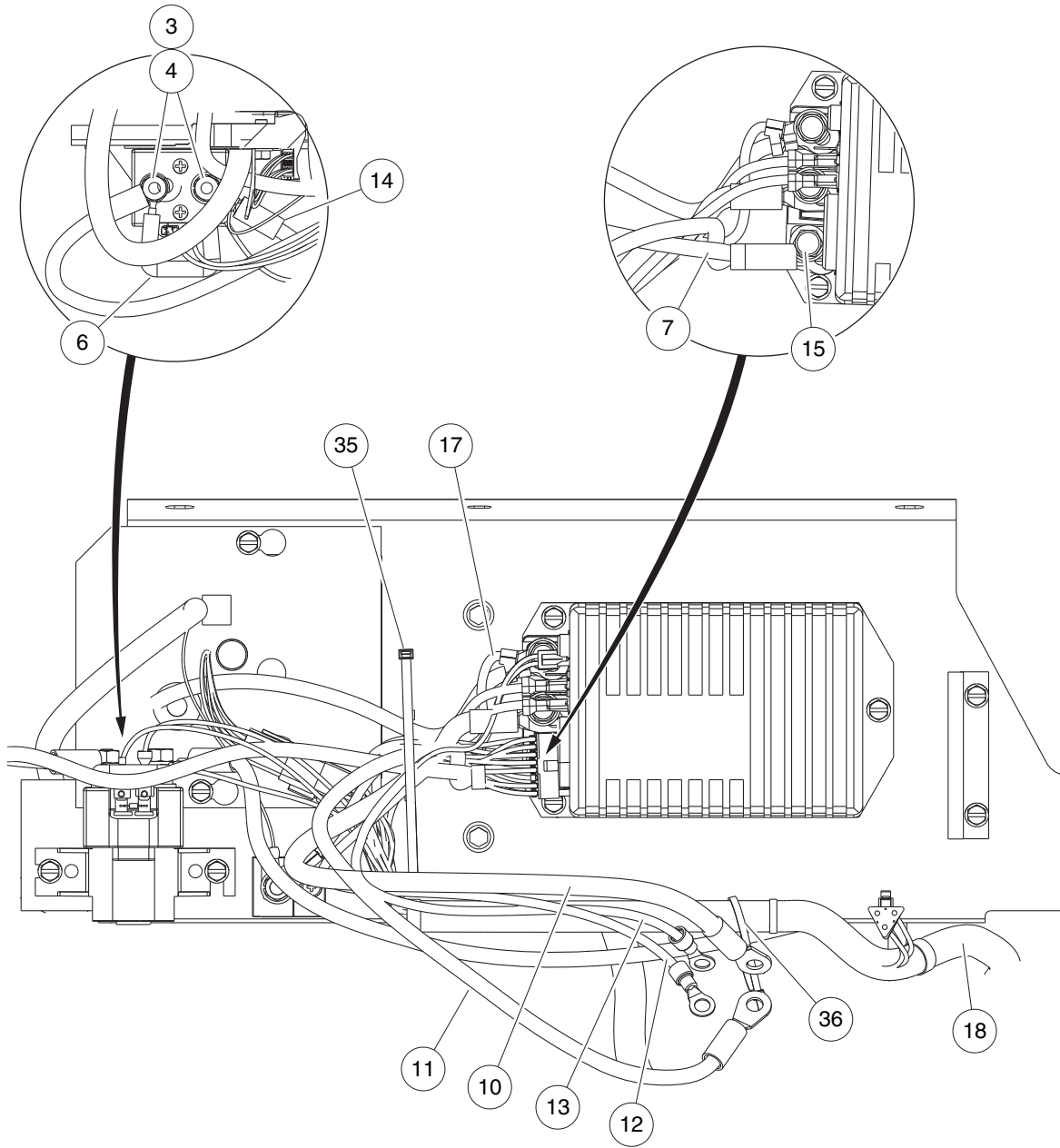
13

E

| ITEM | PART NO. | DESCRIPTION | QTY |
|------|-----------|-----------------------------------|-----|
| | | 1 2 3 4 | |
| 1 | 101795701 | Asm, Wire, #6blk 13in | 5 |
| 2 | 101903001 | Wire Assembly #6 Yellow | 1 |
| 3 | 101968701 | Wire Assy, #6 White | 1 |
| 4 | 101978001 | Wire Assy, #6 Green | 1 |
| 5 | 102199601 | Wire Assy, #6 Red | 1 |
| 6 | 103221801 | Asm, Wire Harness, Electric | 1 |



000607-002



000607-002

13

E

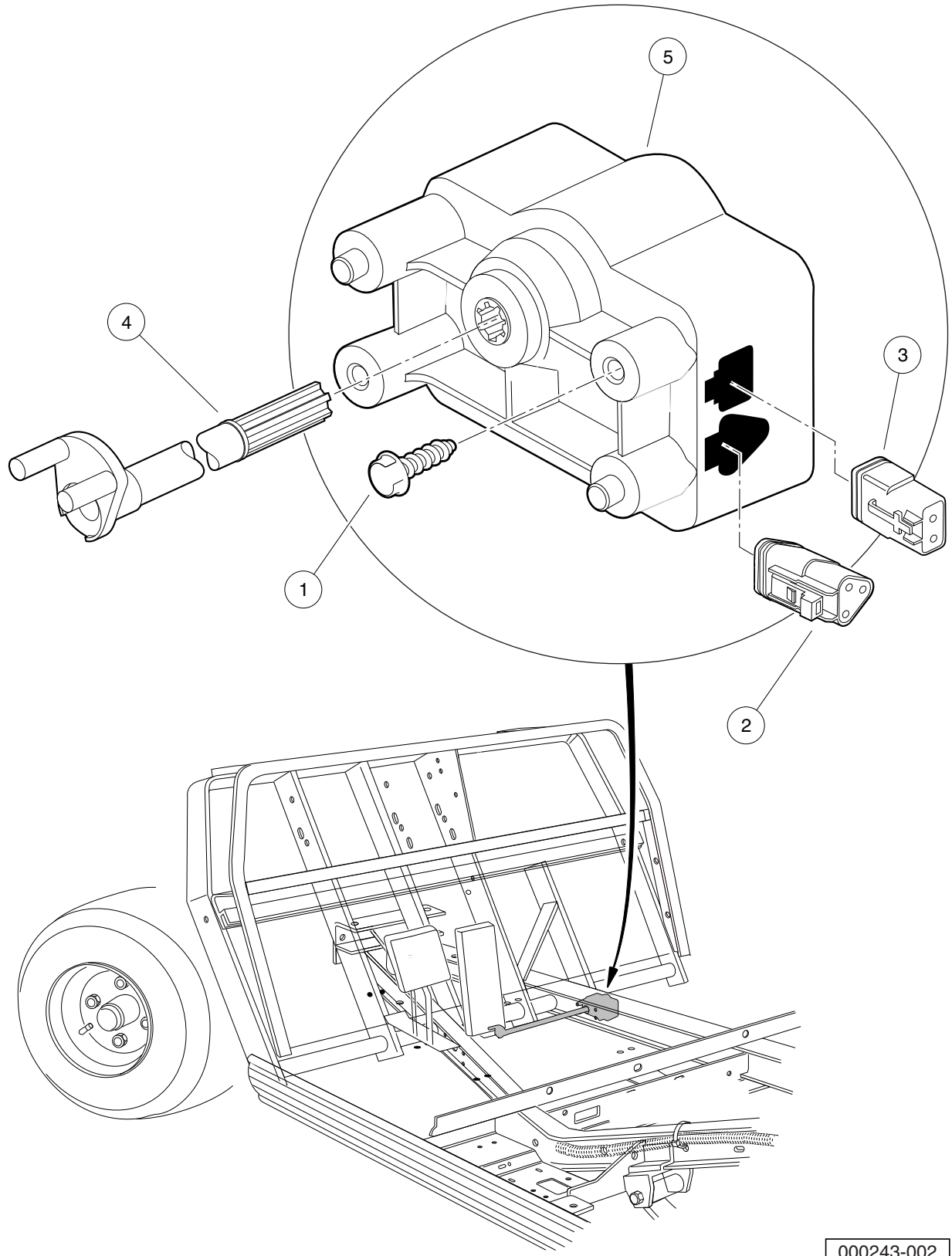
See previous two pages for illustration.

COMPUTER, CONTROLLER, AND SOLENOID

| ITEM | PART NO. | DESCRIPTION | QTY |
|------|-----------|---|-----|
| | | 1 2 3 4 | |
| 1 | N/A | Asm, Electrical Component Box (includes items 2 through 31) | 1 |
| 2 | 1012285 | Screw, 1/4 X 0.625 Hex-Head | 9 |
| 3 | 1012528 | Nut, M8-1.25 Hex | 2 |
| 4 | 1013734 | Lockwasher, 8mm Split | 2 |
| 5 | 1014063 | Screw, 1/4-20 X 1.00 Hex Head | 2 |
| 6 | 1014947 | Resistor Assembly | 1 |
| 7 | 101903001 | Wire Assembly #6 Yellow | 1 |
| 8 | 101908703 | Solenoid, 48v W/ Diode | 1 |
| 9 | 101965202 | Plate, Component Mounting | 1 |
| 10 | 101968701 | Wire Assy, #6 White | 1 |
| 11 | 101978001 | Wire Assy, #6 Green | 1 |
| 12 | 101978101 | Asm, Wire, #10 Orange 5/16 | 1 |
| 13 | 101978201 | Wire Assy, #10 Blue | 1 |
| 14 | 102199601 | Wire Assy, #6 Red | 1 |
| 15 | 102240501 | Bolt, Controller, Terminal | 3 |
| 16 | **** | Extrusion, Cover Support | 1 |
| 17 | 102263601 | Wire Assy, #10 Black | 1 |
| 18 | 103221801 | Asm, Wire Harness, Electric | 1 |
| 19 | 103282701 | Kit, Terminal Block Ground | 1 |
| 20 | 103316901 | Cover Asm - Controller (includes items 21 through 23) | 1 |
| 21 | 101931501 | Decal, Component Cover | 1 |
| 22 | 103316701 | Cover - Controller, Deep | 1 |
| 23 | 103316801 | Gasket - Controller Cover | 1 |
| 24 | N/A | Kit, OBC, DS and Util IQ (includes items 25 through 27) | 1 |
| 25 | 103282601 | Wire Assembly Black #10 | 1 |
| 26 | N/A | Instr Obc Ds Pre 01-28-2007 | 1 |
| 27 | 103403101 | Asm, Obc, Iq, V3.0 | 1 |
| 28 | 103390201 | Controller, Modified, 48v Iq | 1 |
| 29 | 332 | Washer, 1/4 Type A Narrow Flat | 2 |
| 30 | 8639 | Tie Wrap, 11" Nylon | 1 |
| 31 | 8990 | Tie Wrap, 8" Nylon | 1 |
| | | **** Special order item available upon request. | |

13

E



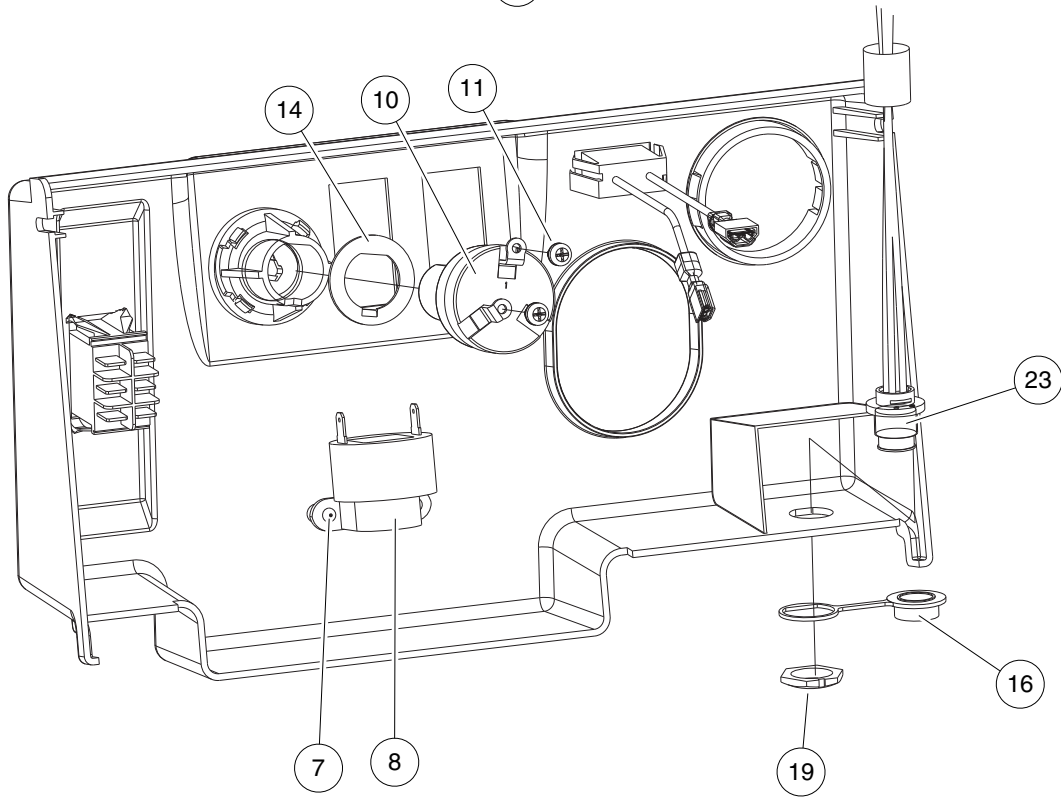
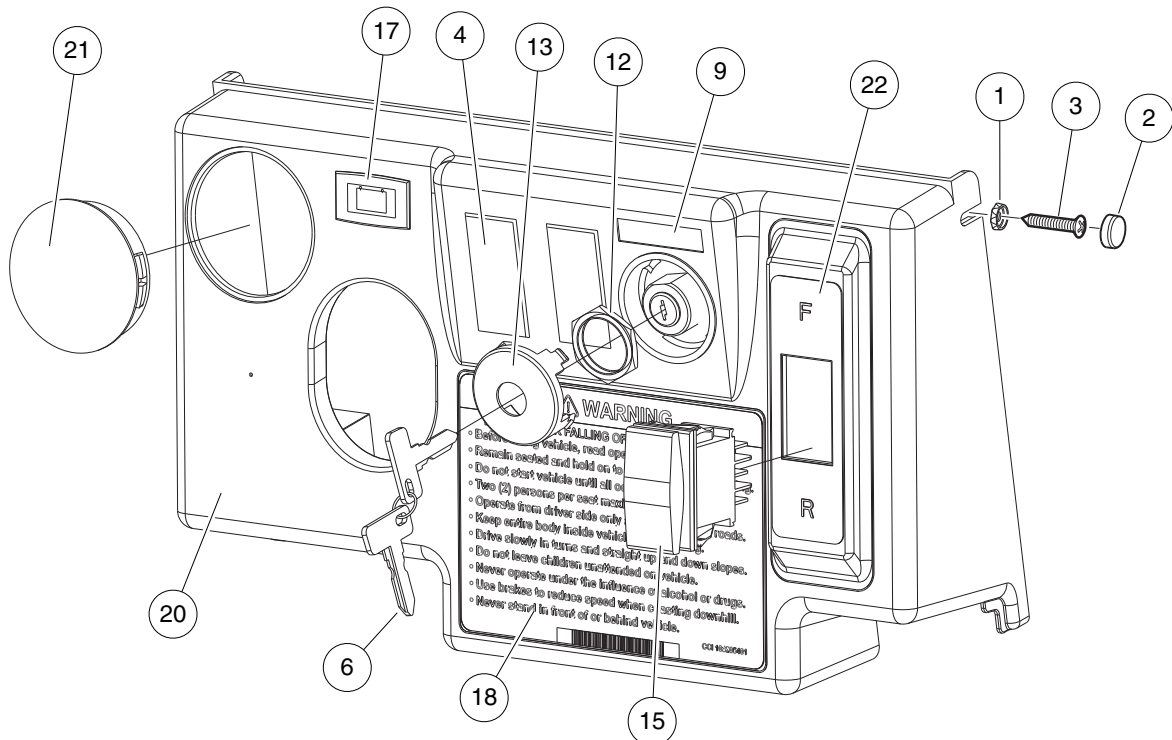
000243-002

MOTOR CONTROLLER OUTPUT REGULATOR (MCOR)

| ITEM | PART NO. | DESCRIPTION | QTY |
|------|-----------|-----------------------------------|-----|
| | | 1 2 3 4 | |
| 1 | 1015752 | Screw, #12-16 X 0.625 Hi-Lo | 2 |
| 2 | 101920101 | Kit, 3-Pin Wedge Lock | 1 |
| 3 | 101936801 | Kit, 2-Pin Wedge Lock | 1 |
| 4 | 102101001 | Bar, Drive, Cast | 1 |
| 5 | 102101101 | MCOR | 1 |

13

E



000577-006

INSTRUMENT PANEL AND ELECTRICAL COMPONENTS

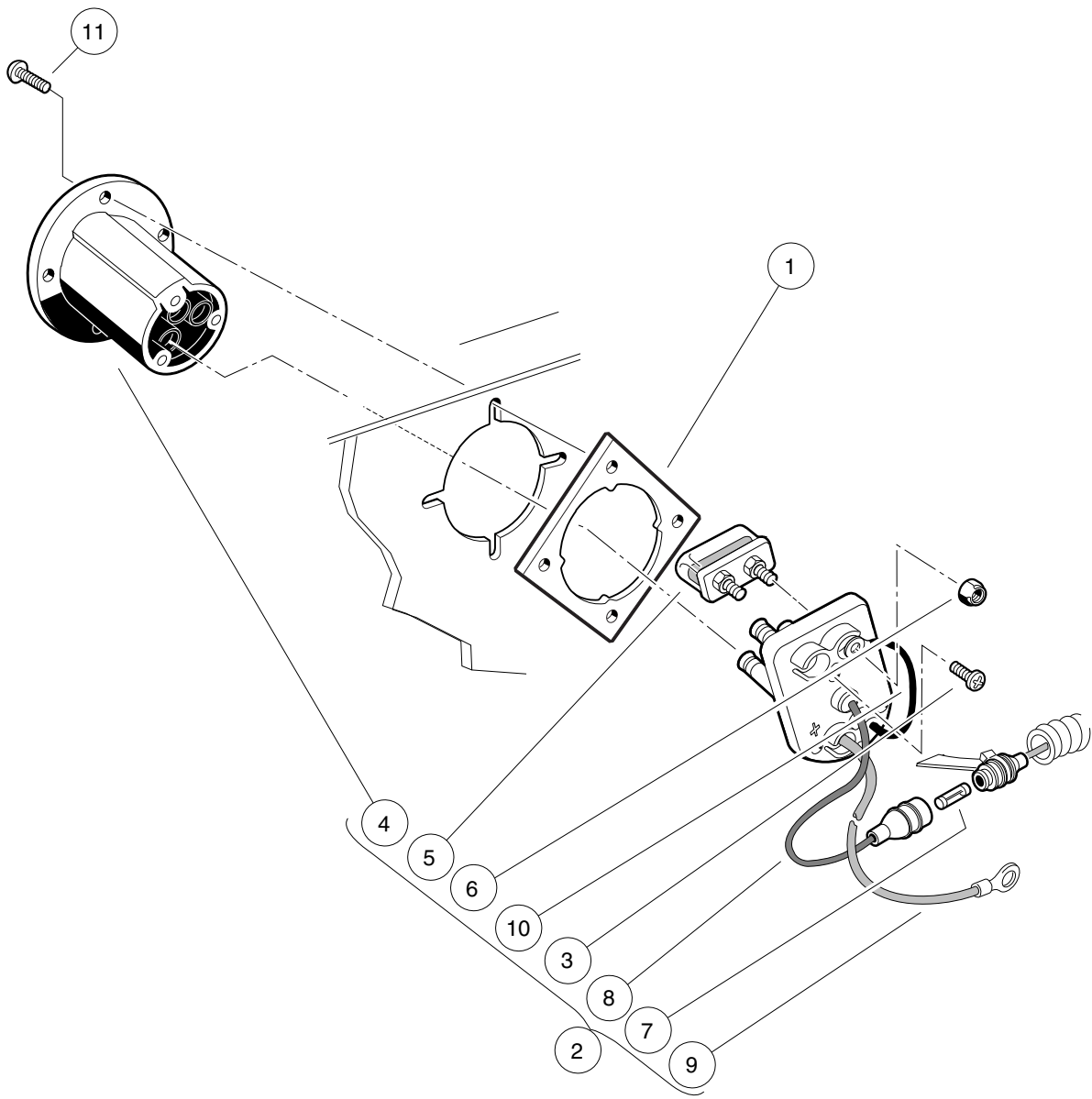
| ITEM | PART NO. | DESCRIPTION | QTY |
|------|-----------|--|-----|
| | | 1 2 3 4 | |
| 1 | 1011382 | Washer, #10 Pan-Head Screw | 2 |
| 2 | 1013494 | Cover, Screw Head | 2 |
| 3 | 1015528 | Screw, #10 x 1-1/4 Phillips Head | 2 |
| 4 | 103180101 | Cover, Hole, Switch, Rocker | 2 |
| 5 | N/A | Asm, Dash, Elec (Instrument Panel) (includes items 6 through 23) | 1 |
| 6 | 1012505 | Keys (set of 2) | 1 |
| 7 | 1016849 | Screw, #4-24 X 0.33 Pan-Head Machine | 2 |
| 8 | 1016851 | Buzzer, Reverse (9-48 VDC) | 1 |
| 9 | 101825101 | Decal, Off/On | 1 |
| 10 | 101826201 | Key Switch, On/Off | 1 |
| 11 | 101830601 | Screw and Washer Assembly | 2 |
| 12 | 101830701 | Nut, Key Switch | 1 |
| 13 | 101834502 | Cap, Black Key Switch | 1 |
| 14 | 101851101 | Washer, Key Switch | 1 |
| 15 | 101856002 | Switch, Rocker, Single-Pole | 1 |
| 16 | 102196901 | Dust Cap | 1 |
| 17 | 102508701 | Light, Battery | 1 |
| 18 | 102518001 | Decal, Operating Instr, Elec | 1 |
| 19 | 102572401 | Nut, Diagnostic Port, Prec | 1 |
| 20 | 102977002 | Panel, Dash, Center, Gas (Instrument Panel) | 1 |
| 21 | 103198301 | Plug, Hole, Round, 2.0 In | 1 |
| 22 | 103210301 | Decal, Forward/Reverse, Electric | 1 |
| 23 | 103218601 | Harness, Diagnostic Port | 1 |

13

E

13

E



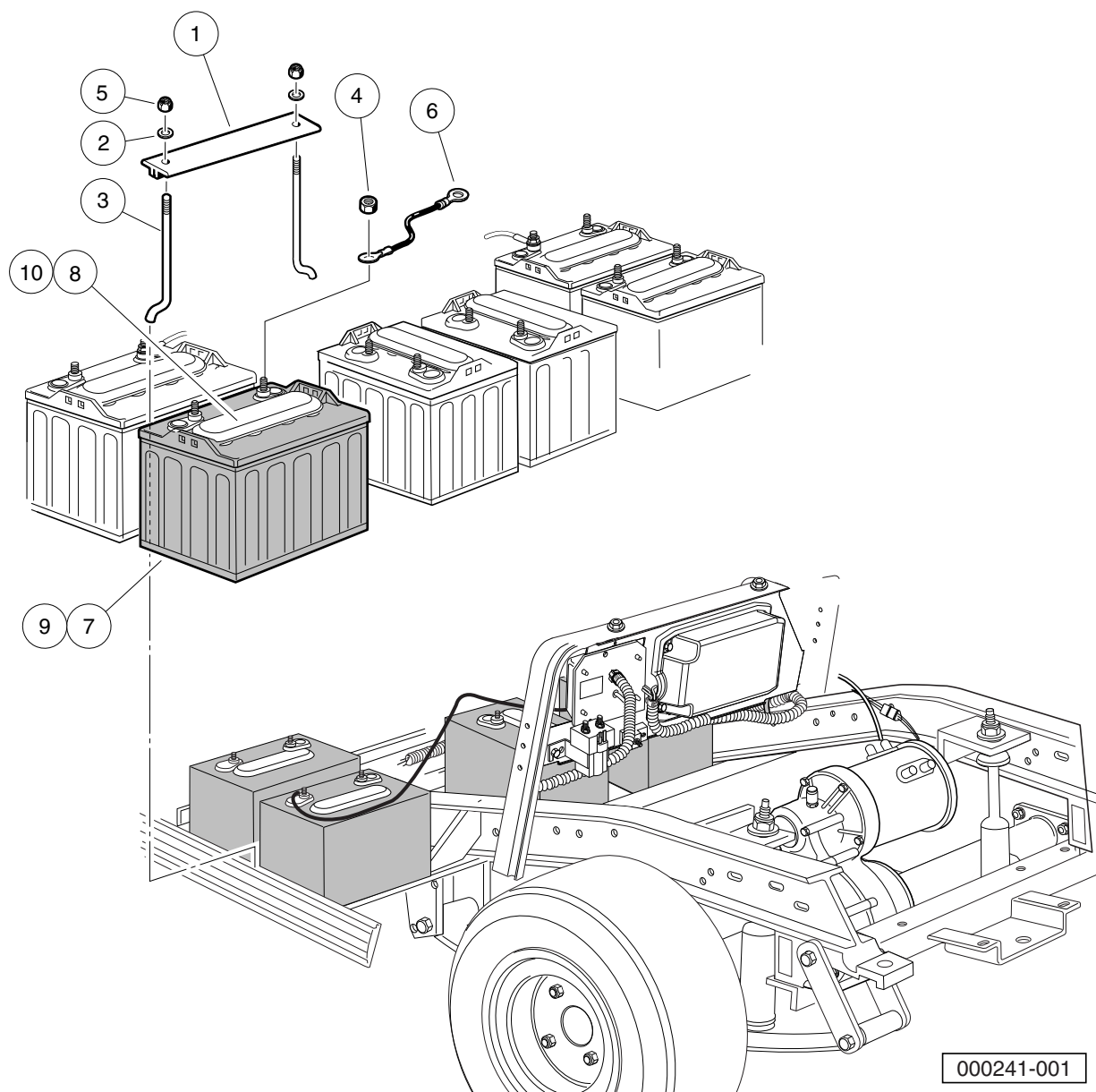
000369-001

BATTERY CHARGER RECEPTACLE

| ITEM | PART NO. | DESCRIPTION | QTY |
|------|-----------|--|-----|
| | | 1 2 3 4 | |
| 1 | 101801001 | Plate, Receptacle Backing | 1 |
| 2 | 101802101 | Fuse and Receptacle Assembly (includes items 3 through 10) | 1 |
| 3 | 1017705 | Screw, #8 X 5/8 Phillips Pan-Head Type AB | 3 |
| 4 | 101796501 | Receptacle | 1 |
| 5 | 101796801 | Fuse Assembly (includes item 6) | 1 |
| 6 | 1013061 | Locknut, #10-32 Nylon Insert | 2 |
| 7 | N/A | Fuse, 3/8-Amp | 1 |
| 8 | N/A | Wire Assembly, Sense Lead, Gray | 1 |
| 9 | N/A | Wire Assembly, #10 Red | 1 |
| 10 | N/A | Wire Assembly, #10 Black | 1 |
| 11 | 101832001 | Screw, #7-19 X 0.625 Phillips Pan-Head Tap | 4 |

13

E



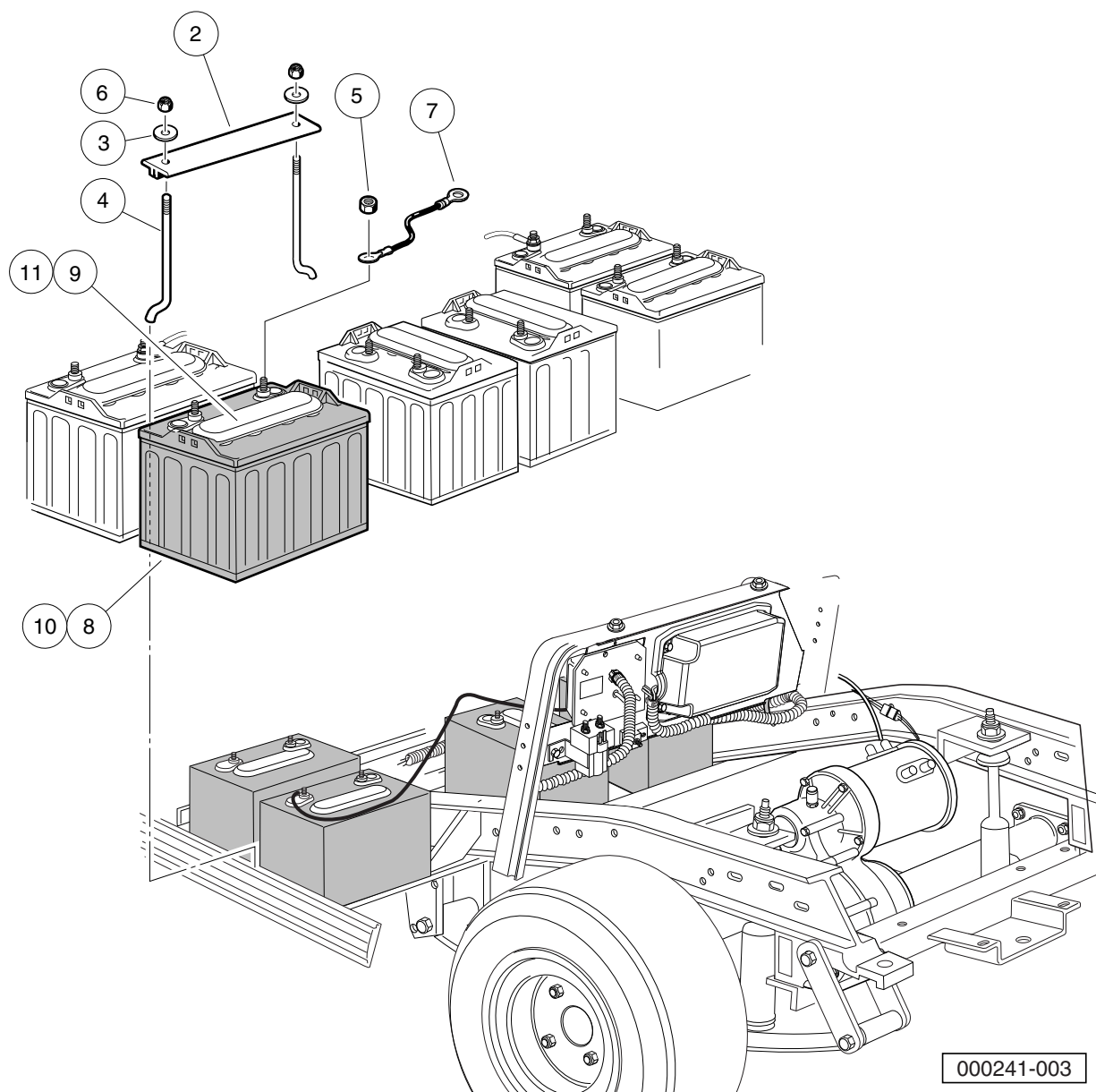
000241-001

BATTERIES (T875), ELECTRIC VEHICLE

| ITEM | PART NO. | DESCRIPTION | QTY |
|------|-----------|--|-----|
| | | 1 2 3 4 | |
| 1 | 101090801 | Hold-Down, Battery | 3 |
| 2 | 1011578 | Washer, 5/16 Type B Flat | 6 |
| 3 | 1013683 | J-Bolt | 6 |
| 4 | 1014304 | Nut, 5/16-18 Stainless-Steel Hex | 12 |
| 5 | 1015072 | Locknut, 5/16-18 Nylon Insert | 6 |
| 6 | 101795701 | Asm, Wire, #6blk 13in | 5 |
| 7 | 101797701 | Battery, 8-Volt, T875 (includes item 8) | 6 |
| 8 | 101797801 | Cap, 4-Gang Battery | 1 |
| 9 | 101797702 | Battery, 8-Volt, T875 Moist (also known as dry) (includes item 10) | 6 |
| 10 | 101797801 | Cap, 4-Gang Battery | 1 |

13

E



000241-003

BATTERIES (T890)

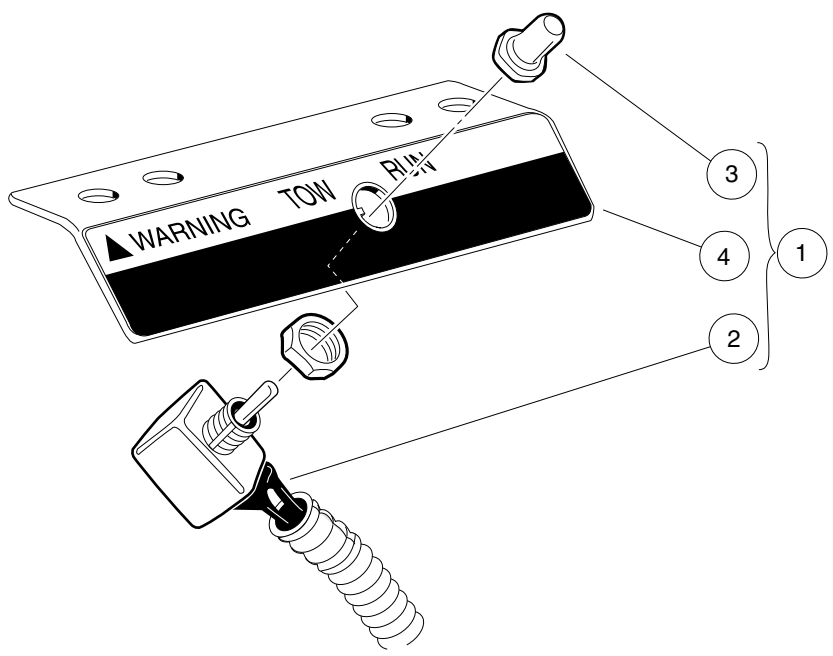
| ITEM | PART NO. | DESCRIPTION | QTY |
|------|-----------|---|-----|
| | | 1 2 3 4 | |
| 1 | N/A | Installation, Battery, T890 (includes items 2 through 10) | 1 |
| 2 | 101090801 | Hold-Down, Battery | 3 |
| 3 | 1012571 | Washer, 5/16 Extra Thick Flat | 6 |
| 4 | 1013683 | J-Bolt | 6 |
| 5 | 1014304 | Nut, 5/16-18 Stainless-Steel Hex | 12 |
| 6 | 1015072 | Locknut, 5/16-18 Nylon Insert | 6 |
| 7 | 101795701 | Asm, Wire, #6blk 13in | 5 |
| 8 | 101964201 | Battery, 8v Trojan T890 (Wet) (includes item 9) | 6 |
| 9 | 101797801 | Cap, 4-Gang Battery | 1 |
| 10 | 101964202 | Battery, 8v Trojan T890 (Dry, also known as moist) (includes item 11) | 6 |
| 11 | 101797801 | Cap, 4-Gang Battery | 1 |

13

E

13

E



000605-001

TOW/RUN SWITCH

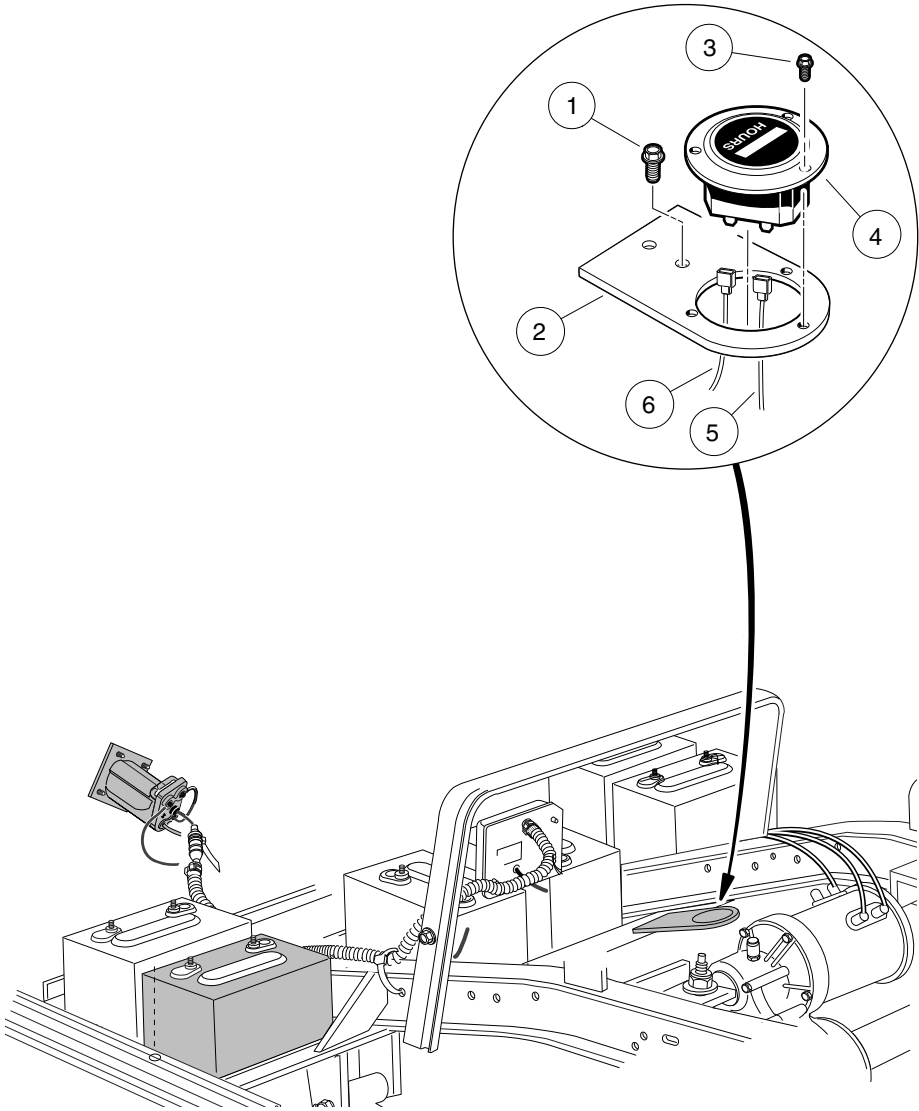
| ITEM | PART NO. | DESCRIPTION | QTY |
|------|-----------|--|-----|
| | | 1 2 3 4 | |
| 1 | N/A | Tow Switch Assembly (includes items 2 through 4) | 1 |
| 2 | 101908101 | Switch Assembly, Tow/Run | 1 |
| 3 | 101908401 | Boot, Switch | 1 |
| 4 | 101922501 | Bracket, Tow/Run Switch Mounting | 1 |

13

E

13

E



000341-001

HOUR METER – TURF 1 VEHICLES

| ITEM | PART NO. | DESCRIPTION | QTY |
|------|-----------|-----------------------------------|-----|
| | | 1 2 3 4 | |
| 1 | 1012285 | Screw, 1/4 X 0.625 Hex-Head | 1 |
| 2 | 1013547 | Hour Meter Bracket | 1 |
| 3 | 1014540 | Screw, #6-32 X 3/8 Taptite | 3 |
| 4 | N/A | Hour Meter | 1 |
| 5 | 101997802 | Wire Assembly #18 Yellow | 1 |
| 6 | N/A | Wire Assy, #18 Blue | 1 |

13

E

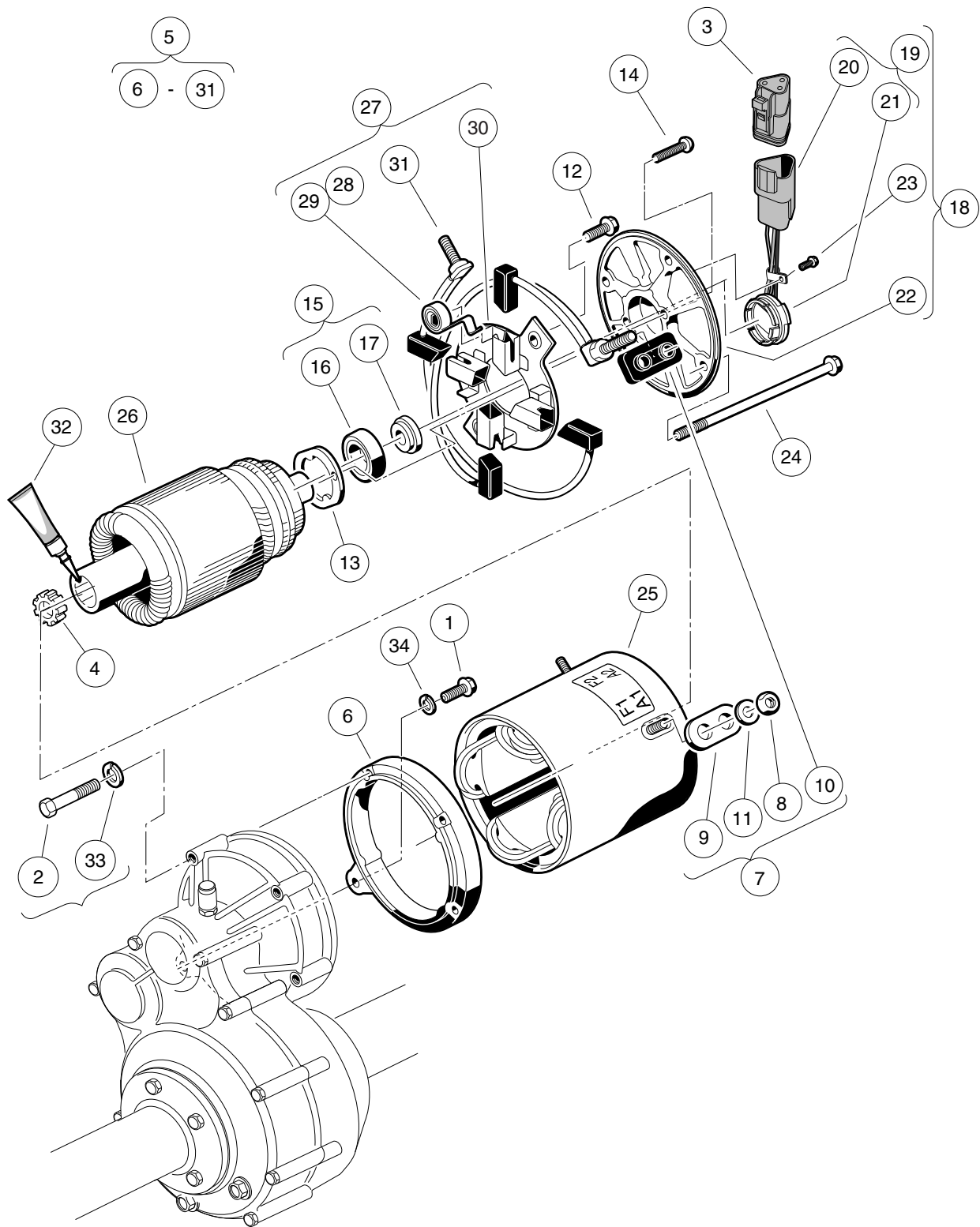
13

E

ELECTRIC MOTOR

14

E



000349-002

MOTOR (MODEL 5BC59JBS6365A)

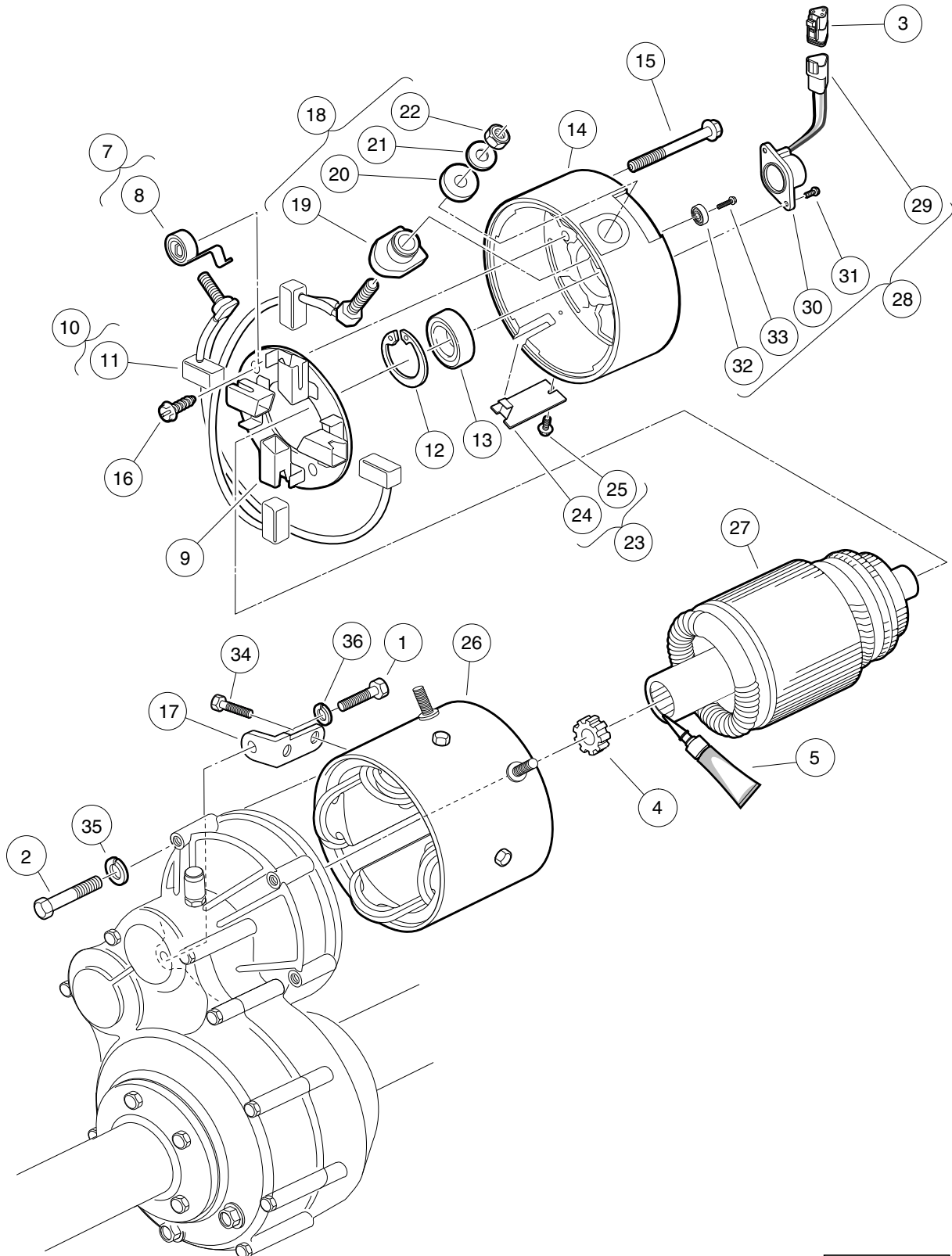
| ITEM | PART NO. | DESCRIPTION | QTY |
|--|-----------|---|-----|
| | | 1 2 3 4 | |
| 1 | 1010934 | Screw, 5/16-18 X 1.00 Hex Cap | 1 |
| 2 | 1014201 | Screw, 1/4-20 X 2.25 Hex Cap | 3 |
| 3 | 101920101 | Kit, 3-Pin Wedge Lock | 1 |
| 4 | 102235201 | Bumper, Drive Unit | 1 |
| 5 | 102240104 | Motor, 48-Volt Non-Skew IQ * (includes items 6 through 27) | 1 |
| 6 | 1017944 | End Shield | 1 |
| 7 | 1017947 | Hardware Package (includes items 8 through 11) | 1 |
| 8 | 1011280 | Locknut, 5/16-18 | 4 |
| 9 | N/A | Insulator Bushing | 2 |
| 10 | N/A | Insulated Bushing | 2 |
| 11 | 1241 | Washer, 5/16 Type A Flat | 4 |
| 12 | 1017949 | Screw, #6-32 X 0.480 Hex-Head | 2 |
| 13 | 1017950 | Bearing Retainer | 1 |
| 14 | 1017953 | Screw, Bearing Retainer | 2 |
| 15 | 102265701 | Kit, Bearing and Magnet (includes items 16 and 17) | 1 |
| 16 | 1011290 | Ball Bearing | 1 |
| 17 | 102265801 | Magnet | 1 |
| 18 | 102265901 | Motor End Shield Asm (includes items 19 through 23) | 1 |
| 19 | 102265601 | Speed Sensor Assembly (includes items 20 and 21) | 1 |
| 20 | 101942301 | Kit, 3-Pin Wedge Lock | 1 |
| 21 | N/A | Sensor, Speed, without Connector | 1 |
| 22 | 102266001 | End Shield, Motor | 1 |
| 23 | 102267001 | Screw, #8-32 X 0.375 Hex-Head | 1 |
| 24 | 102266101 | Screw, #10 - 32 X 8.250 | 4 |
| 25 | 103325701 | Stator Shell and Winding | 1 |
| 26 | 103325801 | Non Skew Armature | 1 |
| 27 | 103337601 | Brush Assembly, IQ Motor, Non-Skew (includes items 28 through 31) | 1 |
| 28 | 1011411 | Kit, Brush Spring (ge Motor) (includes item 29) | 1 |
| 29 | 1011285 | Brush Spring | 4 |
| 30 | 103325501 | Brush Rigging, Non-Skew Motor | 1 |
| 31 | 103325601 | Brush Set, Non-Skew | 1 |
| 32 | 102243403 | Lubricant, Moly-Teflon (Single-Use Tube) | 1 |
| 33 | 451 | Lockwasher, 1/4 Split | 3 |
| 34 | 7174 | Lockwasher, 5/16 Split | 1 |
| * Note: The model 5BC59JBS6390 motor has been discontinued. To replace the motor, use motor model EJ8-4001A. | | | |

14

E

14

E



000185-001

MOTOR (MODEL EJ4-4001) – ELECTRIC VEHICLE

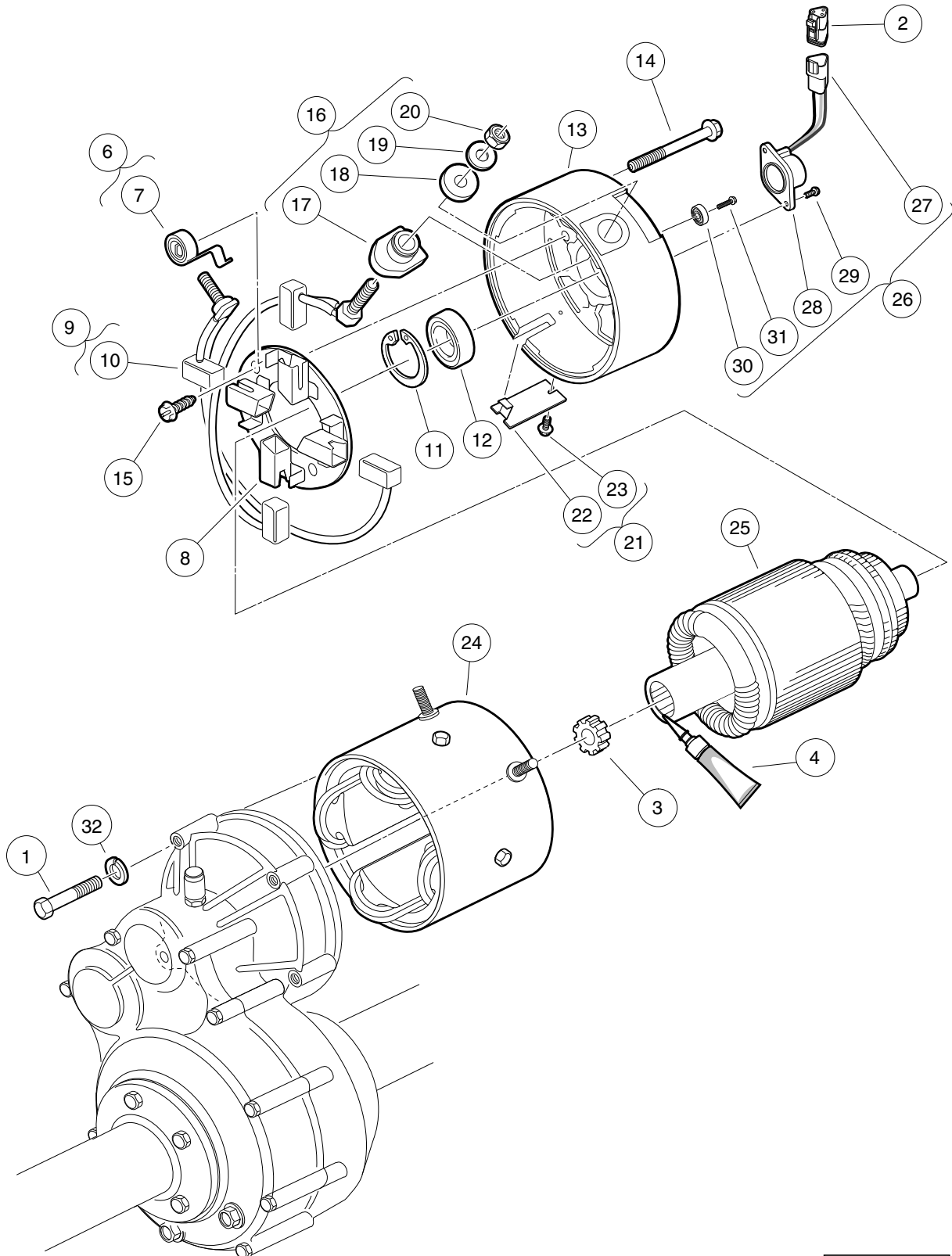
| ITEM | PART NO. | DESCRIPTION | QTY |
|--|-----------|--|-----|
| | | 1 2 3 4 | |
| 1 | 1010934 | Screw, 5/16-18 X 1.00 Hex Cap | 1 |
| 2 | 1014201 | Screw, 1/4-20 X 2.25 Hex Cap | 3 |
| 3 | 101920101 | Kit, 3-Pin Wedge Lock | 1 |
| 4 | 102235201 | Bumper, Drive Unit | 1 |
| 5 | 102243403 | Lubricant, Moly-Teflon (Single-Use Tube) | 1 |
| 6 | 102705001 | IQ Electric Motor, 48-VDC 3.3 hp * (includes items 7 through 34) | 1 |
| 7 | 102186001 | Spring Kit, Motor Brush (includes item 8) | 1 |
| 8 | N/A | Spring, Brush, S-g | 4 |
| 9 | 102186101 | Brush Box Assembly | 1 |
| 10 | 102186201 | Brush Kit, Motor (includes item 11) | 1 |
| 11 | N/A | Assembly, Brush and Terminal | 2 |
| 12 | 102186301 | Ring, 2.24" Internal Retaining | 1 |
| 13 | 102186401 | Bearing, Ball | 1 |
| 14 | 102186701 | End Cap, Motor | 1 |
| 15 | N/A | Screw, 1/4-20 X 2.25 Hex-Head Washer | 2 |
| 16 | 102186901 | Screw, #8-32 X .5 Hex-Head | 2 |
| 17 | 102187001 | L-Bracket, Motor | 1 |
| 18 | 102187101 | Hardware Kit, Motor Terminal (includes items 19 through 22) | 2 |
| 19 | N/A | Bushing, Nylon | 2 |
| 20 | N/A | Washer, Nylon Flat | 2 |
| 21 | N/A | Washer, Flat, 5/16 Steel | 2 |
| 22 | N/A | Nut, Brass Hex, 5/16 - 18 | 2 |
| 23 | 102187201 | Plate Kit, Motor Cover (includes items 24 and 25) | 1 |
| 24 | N/A | Assembly, Cover Plate | 1 |
| 25 | N/A | Screw, #8-32 x 0.375, Taptite Thread | 1 |
| 26 | 102704701 | Frame and Field Assembly | 1 |
| 27 | 102704801 | Armature Assembly | 1 |
| 28 | 102704901 | Kit, Speed Sensor (includes items 29 through 33) | 1 |
| 29 | 101942301 | Kit, 3-Pin Wedge Lock | 1 |
| 30 | N/A | Sensor, Motor Speed, ADC | 1 |
| 31 | N/A | Screw, #8-32, Taptite Thread | 2 |
| 32 | N/A | Magnet, ADC Motor | 1 |
| 33 | N/A | Screw, 1/4-20 x 0.5 | 1 |
| 34 | N/A | Bolt, 1/4 - 20 x 0.73 Thread-Forming | 2 |
| 35 | 451 | Lockwasher, 1/4 Split | 3 |
| 36 | 7174 | Lockwasher, 5/16 Split | 1 |
| * Note: The model EJ4-4001 motor has been discontinued. To replace the motor, use motor model EJ8-4001A. | | | |

14

E

14

E



000185-002

MOTOR (MODEL EJ8-4001A) – ELECTRIC VEHICLE

| ITEM | PART NO. | DESCRIPTION | QTY |
|------|-----------|--|-----|
| | | 1 2 3 4 | |
| 1 | 1014201 | Screw, 1/4-20 X 2.25 Hex Cap | 3 |
| 2 | 101920101 | Kit, 3-Pin Wedge Lock | 1 |
| 3 | 102235201 | Bumper, Drive Unit | 1 |
| 4 | 102243403 | Lubricant, Moly-Teflon (Single-Use Tube) | 1 |
| 5 | N/A | IQ Electric Motor, 48-VDC 3.3 hp (includes items 6 through 26) | 1 |
| 6 | 102186001 | Spring Kit, Motor Brush (includes item 7) | 1 |
| 7 | N/A | Spring, Brush, S-g | 4 |
| 8 | 102186101 | Brush Box Assembly | 1 |
| 9 | 102186201 | Brush Kit, Motor (includes item 10) | 1 |
| 10 | N/A | Assembly, Brush and Terminal | 2 |
| 11 | 102186301 | Ring, 2.24" Internal Retaining | 1 |
| 12 | 102186401 | Bearing, Ball | 1 |
| 13 | 102186701 | End Cap, Motor | 1 |
| 14 | N/A | Screw, 1/4-20 X 2.25 Hex-Head Washer | 2 |
| 15 | 102186901 | Screw, #8-32 X .5 Hex-Head | 2 |
| 16 | 102187101 | Hardware Kit, Motor Terminal (includes items 17 through 20) | 2 |
| 17 | N/A | Bushing, Nylon | 2 |
| 18 | N/A | Washer, Nylon Flat | 2 |
| 19 | N/A | Washer, Flat, 5/16 Steel | 2 |
| 20 | N/A | Nut, Brass Hex, 5/16 - 18 | 2 |
| 21 | 102187201 | Plate Kit, Motor Cover (includes items 22 and 23) | 1 |
| 22 | N/A | Assembly, Cover Plate | 1 |
| 23 | N/A | Screw, #8-32 x 0.375, Taptite Thread | 1 |
| 24 | 102704701 | Frame and Field Assembly | 1 |
| 25 | 102704801 | Armature Assembly | 1 |
| 26 | 102704901 | Kit, Speed Sensor (includes items 27 through 31) | 1 |
| 27 | 101942301 | Kit, 3-Pin Wedge Lock | 1 |
| 28 | N/A | Sensor, Motor Speed, ADC | 1 |
| 29 | N/A | Screw, #8-32, Taptite Thread | 2 |
| 30 | N/A | Magnet, ADC Motor | 1 |
| 31 | N/A | Screw, 1/4-20 x 0.5 | 1 |
| 32 | 451 | Lockwasher, 1/4 Split | 3 |

14

E

14

E

TRANSAXLE – ELECTRIC VEHICLES

15

E

TRANSAXLE – ELECTRIC VEHICLES

| ITEM | PART NO. | DESCRIPTION | QTY |
|------|-----------|---|-----|
| | | 1 2 3 4 | |
| 1 | 102771701 | Transaxle, Electric (includes items 2 through 32) | 1 |
| 2 | 1013794 | Axle Shaft Oil Seal | 2 |
| 3 | 101895401 | Gear Case, Left-Hand | 1 |
| 4 | 101895501 | Gear Case, Passenger-Side | 1 |
| 5 | 101897001 | Screw, M8-1.25 X 60mm Hex-Head | 11 |
| 6 | 101897201 | Breather | 1 |
| 7 | 101897401 | Screw, M10-1.25 X 25mm | 6 |
| 8 | 101897601 | Pin, 11mm OD X 8.5mm ID X 10mm | 2 |
| 9 | 101903601 | Washer, Thrust | 2 |
| 10 | 101903701 | Washer, Thrust | 2 |
| 11 | 101906901 | Intermediate Shaft Assembly | 1 |
| 12 | 101922101 | Pin, 15.99mm X 88.7mm Dowel | 1 |
| 13 | 101923001 | Gear, Differential Idler | 2 |
| 14 | 101923201 | Gasket | 2 |
| 15 | 101923501 | Seal, Lip | 1 |
| 16 | 101923701 | Shaft, Input | 1 |
| 17 | 101923901 | Gear, Differential | 2 |
| 18 | 101928701 | Liquid Gasket (Transaxle case) | 1 |
| 19 | 101972101 | Plug, M14-1.5 X 12mm Magnetic | 1 |
| 20 | 101972201 | Plug, M14-1.5 X 12mm Hex | 1 |
| 21 | 102356601 | Housing, Differential, 6 Bolt | 1 |
| 22 | 102356801 | Gear, Differential Output, 6-Bolt | 1 |
| 23 | 102357001 | Screw, Flg Hd M10 X 1.5 X 30 | 10 |
| 24 | 102886301 | Axle Assembly, Driver-Side (includes item 25) | 1 |
| 25 | 101922201 | Lug Stud | 4 |
| 26 | 102886401 | Tube, Axle, Driver-Side | 1 |
| 27 | 102886501 | Axle Assembly, Passenger-Side (includes item 28) | 1 |
| 28 | 101922201 | Lug Stud | 4 |
| 29 | 102886601 | Tube, Axle, Passenger-Side | 1 |
| 30 | 7330 | Inner Axle Tube Bearing | 2 |
| 31 | 7335 | Bearing | 3 |
| 32 | 7336 | Bearing | 1 |

15

E

15

E

BATTERY CHARGER

16

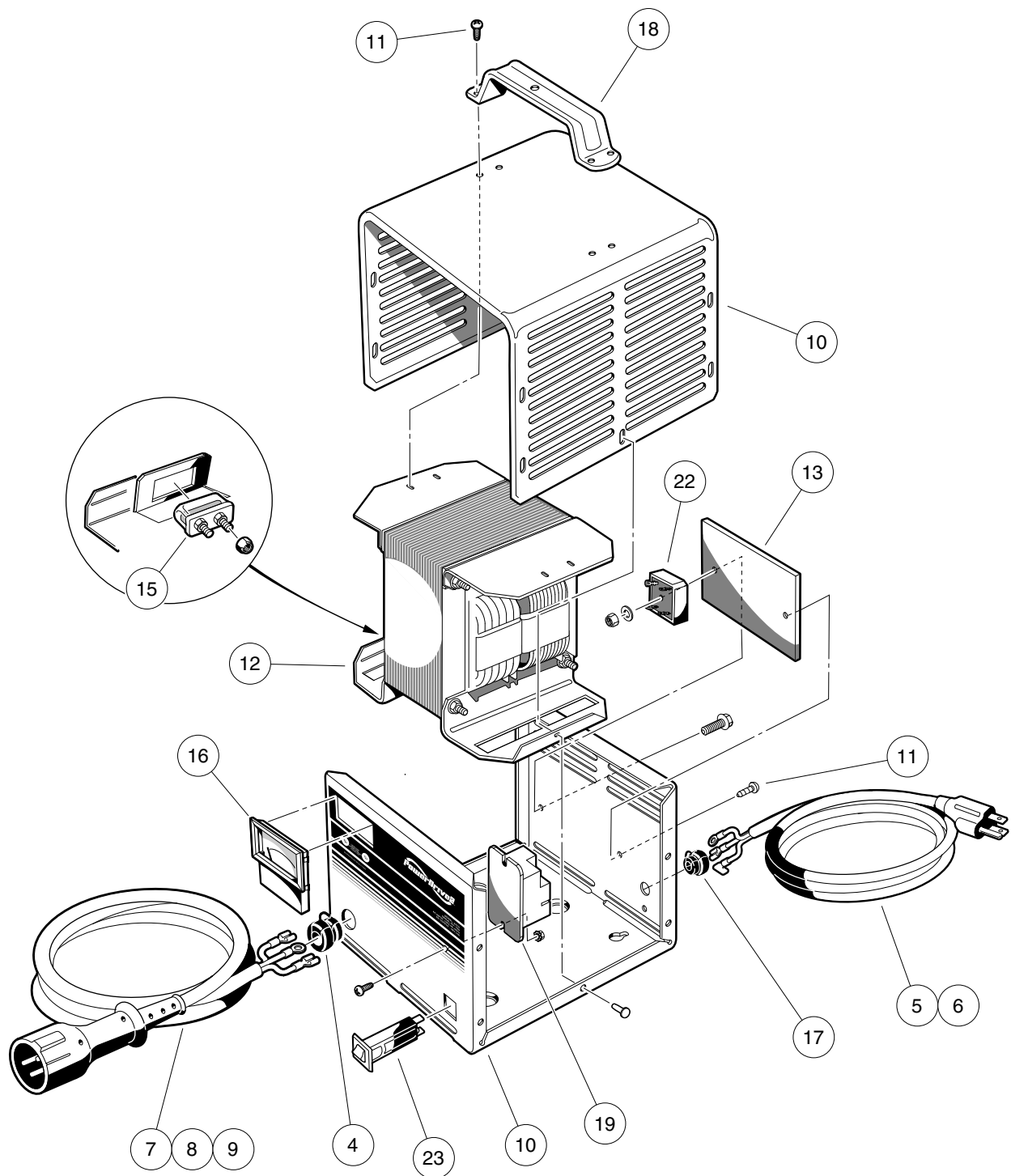
E

POWERDRIVE 3 BATTERY CHARGER, DOMESTIC

| ITEM | PART NO. | DESCRIPTION | QTY |
|------|-----------|---|-----|
| | | 1 2 3 4 | |
| 1 | 103717001 | Chgr, Pd3 Stnry, 9Dc6'Ac' | 1 |
| 2 | 103717002 | Chgr, Pd3 Stnry, 12Dc9'Ac' | 1 |
| 3 | 103717003 | Chgr, Pd3 Stnry, 20Dc9'Ac'(includes items 4 through 27) | 1 |
| 4 | 102273701 | PD2 Fuse Asm | 1 |
| 5 | 102273801 | PD2 Ammeter | 1 |
| 6 | 103428501 | Kit, PD3 Cordset - AC 80" (includes item 7) | 1 |
| 7 | 102273901 | PD2 AC Cord Bushing | 1 |
| 8 | 103428601 | Kit, PD3 Cordset, - AC 114" (includes item 9) | 1 |
| 9 | 102273901 | PD2 AC Cord Bushing | 1 |
| 10 | 103428701 | Asm, PD3 Board Relay (includes item 11) | 1 |
| 11 | 103429701 | PD3 Plastic Stand-Offs | 2 |
| 12 | 103429001 | PD3 Cordset - DC 113" (includes item 13) | 1 |
| 13 | 1012098 | Bushing, DC Cord | 1 |
| 14 | 103429101 | PD3 Cordset - DC 154" (includes item 15) | 1 |
| 15 | 1012098 | Bushing, DC Cord | 1 |
| 16 | 103429201 | PD3 Cordset - DC 205" (includes item 17) | 1 |
| 17 | 1012098 | Bushing, DC Cord | 1 |
| 18 | 103429301 | Asm, PD3 Case (includes items 19 and 20) | 1 |
| 19 | 103434001 | Asm, PD3 Legs | 1 |
| 20 | 103439901 | PD3Case Top (Includes Handle) | 1 |
| 21 | 103429501 | Kit, PD3 Hardware | 1 |
| 22 | 103513001 | Wire Asm Kit Blk Pd3 | 1 |
| 23 | 103517401 | Kit Pd3 Button Diode (includes items 24 and 25) | 1 |
| 24 | 103512801 | Asm Diode Top | 1 |
| 25 | 103512901 | Asm Diode Side | 1 |
| 26 | 103779601 | Transformer, Pd3, Al | 1 |
| 27 | CCX8506 | Circuit Breaker, 15-Amp/120-Volt | 1 |

16

E



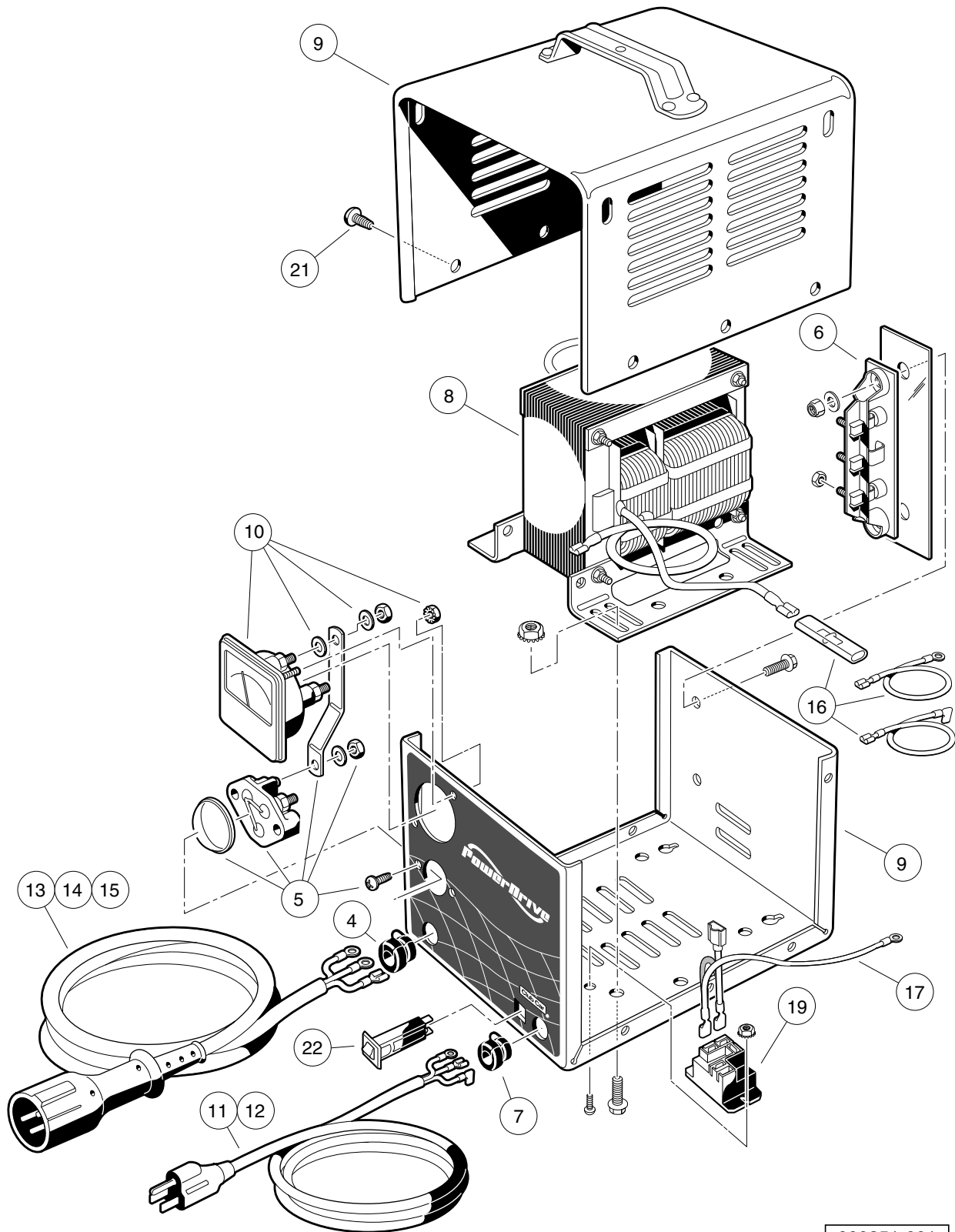
000291-001

POWERDRIVE 2 BATTERY CHARGER (MODEL 22110), DOMESTIC

| ITEM | PART NO. | DESCRIPTION | QTY |
|---|-----------|--|-----|
| | | 1 2 3 4 | |
| 1 | 101802204 | 48-V/13-A PowerDrive 2 (9-ft. DC, 6-ft. AC) | 1 |
| 2 | 101802205 | 48-V/13-A PowerDrive 2 (12-ft. DC, 9-ft. AC) | 1 |
| 3 | 101802206 | 48-V/13-A PowerDrive 2 (20-ft. DC, 9-ft. AC) (includes items 4 through 23) | 1 |
| 4 | 1012098 | Bushing, DC Cord | 1 |
| 5 | 101828801 | Cord, AC, 80-Inch (203 cm) | 1 |
| 6 | 101828802 | Cord, AC, 108-Inch (274 cm) | 1 |
| 7 | 101828904 | PD2 DC Cordset, 113-inch | 1 |
| 8 | 101828905 | PD2 DC Cordset, 154-inch | 1 |
| 9 | 101828906 | Pd2 Dc Cordset 250 Inch | 1 |
| 10 | 102273201 | PD2 Case (includes item 11) | 1 |
| 11 | 7577 | Screw, #10 X 0.50 Phillips Pan-Head | 12 |
| 12 | 102273301 | PD2 Transformer Asm | 1 |
| 13 | 102273401 | PD2 Heatsink | 1 |
| 14 | 102273601 | PD2 Wire Asm | 1 |
| 15 | 102273701 | PD2 Fuse Asm | 1 |
| 16 | 102273801 | PD2 Ammeter | 1 |
| 17 | 102273901 | PD2 AC Cord Bushing | 1 |
| 18 | 102274001 | PD2 Handle | 1 |
| 19 | 103414901 | Kit, Relay, 48v 30a W/instr (includes items 20 and 21) | 1 |
| 20 | 103397901 | Relay, Spst No, 48v 30a, Pmt | 1 |
| 21 | N/A | Kit, Relay, 48v 30a Instrns | 1 |
| 22 | 103517601 | Pd2 Rectifier Kit | 1 |
| 23 | CCX8506 | Circuit Breaker, 15-Amp/120-Volt | 1 |
| <p>Note: Item 16 not shown. Level 1 Battery Charger part numbers include one AC and one DC cord. They do not include all of the level 2 cords listed.</p> | | | |

16

E



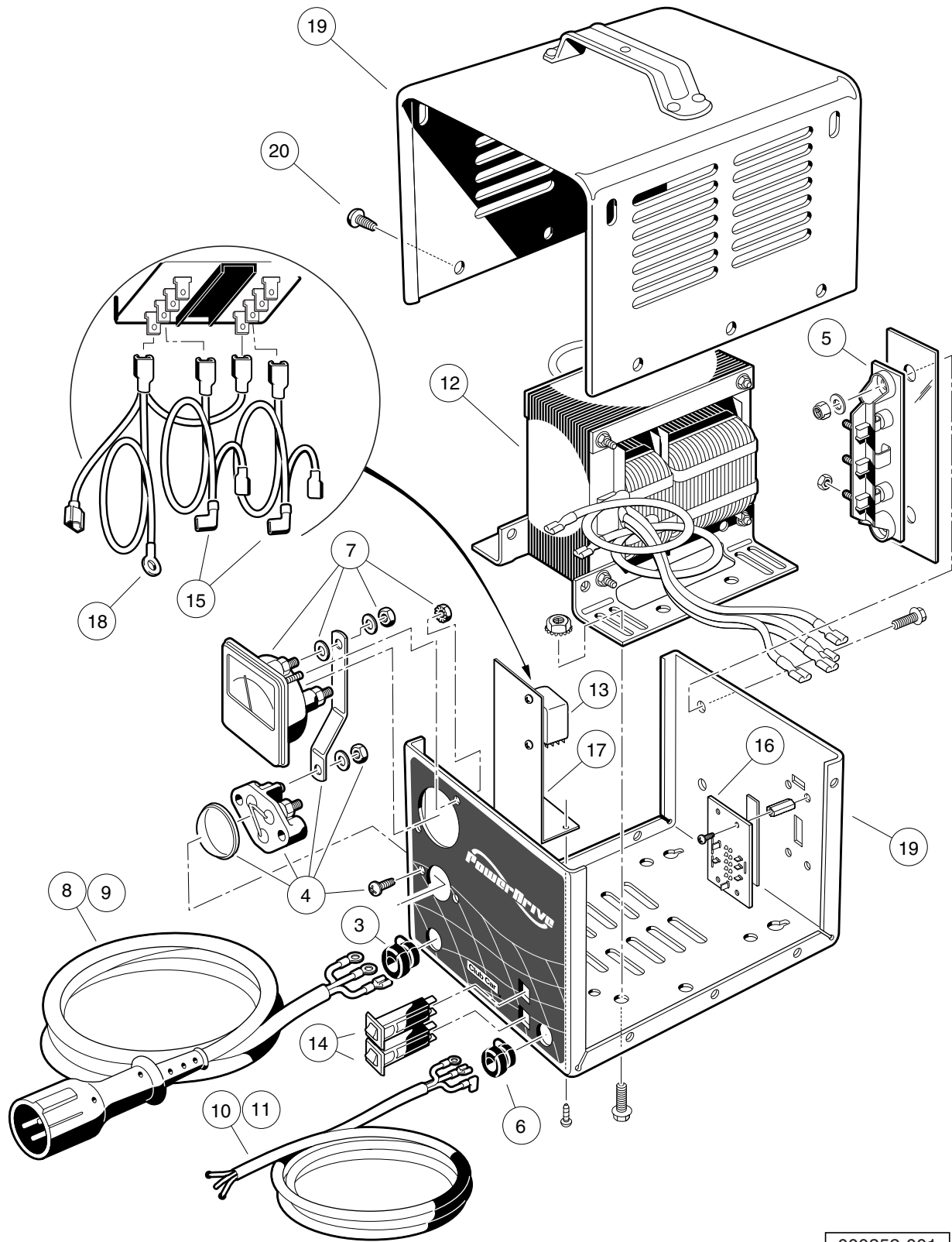
000351-001

POWERDRIVE BATTERY CHARGER (MODEL 17930), DOMESTIC

| ITEM | PART NO. | DESCRIPTION | QTY |
|------|-----------|--|-----|
| | | 1 2 3 4 | |
| 1 | 101802201 | 48V/17A PowerDrive (9-ft DC, 6-ft AC Cord) | 1 |
| 2 | 101802202 | 48V/17A PowerDrive (12-ft DC, 9-ft AC Cord) | 1 |
| 3 | 101802203 | 48V/17A PowerDrive (20-ft DC, 9-ft AC Cord) (includes items 4 through 22) | 1 |
| 4 | 1012098 | Bushing, DC Cord | 1 |
| 5 | 1012101 | Fuse Assembly | 1 |
| 6 | 1015914 | Rectifier with Heatsink Assembly | 1 |
| 7 | 1015917 | Bushing, AC Cord | 1 |
| 8 | **** | Transformer, Battery Charger | 1 |
| 9 | 101828301 | Case Assembly | 1 |
| 10 | 101828501 | Ammeter | 1 |
| 11 | 101828801 | Cord, AC, 80-Inch (203 cm) | 1 |
| 12 | 101828802 | Cord, AC, 108-Inch (274 cm) | 1 |
| 13 | 101828901 | Cord, DC, 113-Inch (287 cm) | 1 |
| 14 | 101828902 | Cord, DC, 154-Inch (391 cm) | 1 |
| 15 | 101828903 | Cord, DC, 250-Inch (635 cm) | 1 |
| 16 | 101831101 | Wire Assembly Kit | 1 |
| 17 | 101914401 | Assembly, Voltage Suppressor | 1 |
| 18 | 103414901 | Kit, Relay, 48v 30a W/instr (includes items 19 and 20) | 1 |
| 19 | 103397901 | Relay, Spst No, 48v 30a, Pmt | 1 |
| 20 | N/A | Kit, Relay, 48v 30a Instrns | 1 |
| 21 | 7577 | Screw, #10 X 0.50 Phillips Pan-Head | 10 |
| 22 | CCX8506 | Circuit Breaker, 15-Amp/120-Volt | 1 |
| | | **** Special order item available upon request. | |
| | | Note: Level 1 Battery Charger part numbers include one AC and one DC cord. They do not include all of the level 2 cords listed. | |

16

E



000352-001

POWERDRIVE BATTERY CHARGER (MODEL 18780), EXPORT

| ITEM | PART NO. | DESCRIPTION | QTY |
|---|-----------|---|-----|
| | | 1 2 3 4 | |
| 1 | 101831503 | Battery Charger, 48-Volt DC (8.5-ft DC, 6-ft AC) | 1 |
| 2 | 101831504 | Battery Charger, 48-Volt DC (12-ft DC, 9-ft AC) (includes items 3 through 20) | 1 |
| 3 | 1012098 | Bushing, DC Cord | 1 |
| 4 | 1012101 | Fuse Assembly | 1 |
| 5 | 1015914 | Rectifier with Heatsink Assembly | 1 |
| 6 | 1015917 | Bushing, AC Cord | 1 |
| 7 | 101828501 | Ammeter | 1 |
| 8 | 101828901 | Cord, DC, 113-Inch (287 cm) | 1 |
| 9 | 101828902 | Cord, DC, 154-Inch (391 cm) | 1 |
| 10 | 101831701 | Cord, AC, 80-Inch (203 cm), without Plug | 1 |
| 11 | 101831702 | Cord, AC, 118-Inch (203 cm), without Plug | 1 |
| 12 | 101838201 | Transformer, Export Battery Charger | 1 |
| 13 | 101838301 | Relay, Export Charger | 1 |
| 14 | 101838401 | Circuit Breaker | 2 |
| 15 | 101838501 | Kit, Wire Assembly | 1 |
| 16 | 101838601 | Four-Position Switch | 1 |
| 17 | **** | Mounting Bracket, Relay | 1 |
| 18 | 101914401 | Assembly, Voltage Suppressor | 1 |
| 19 | N/A | Case, Charger | 1 |
| 20 | 7577 | Screw, #10 X 0.50 Phillips Pan-Head | 10 |
| <p>**** Special order item available upon request.</p> <p>Note: Level 1 Battery Charger part numbers include one AC and one DC cord. They do not include all of the level 2 cords listed.</p> | | | |

16

E

POWERDRIVE BATTERY CHARGER (MODEL 20310), EUROPEAN

16

E

| ITEM | PART NO. | DESCRIPTION | QTY |
|------|-----------|--|-----|
| | | 1 2 3 4 | |
| 1 | 101956201 | Battery Charger, 48-Volt w/ 4-Position Switch (8.5-ft DC) | 1 |
| 2 | 101956202 | Battery Charger, 48-Volt w/ 4-Pos. Switch (12-ft DC) (includes items 3 through 19) | 1 |
| 3 | 1012098 | Bushing, DC Cord | 1 |
| 4 | 1012101 | Fuse Assembly | 1 |
| 5 | 1015914 | Rectifier with Heatsink Assembly | 1 |
| 6 | 101828501 | Ammeter | 1 |
| 7 | 101828901 | Cord, DC, 113-Inch (287 cm) | 1 |
| 8 | 101828902 | Cord, DC, 154-Inch (391 cm) | 1 |
| 9 | 101838401 | Circuit Breaker | 2 |
| 10 | 101838601 | Four-Position Switch | 1 |
| 11 | 101973501 | Receptacle, AC Cord | 1 |
| 12 | 101987501 | Relay | 1 |
| 13 | N/A | Wire, Jumper | 1 |
| 14 | N/A | Case, Charger | 1 |
| 15 | **** | Transformer, European Battery Charger | 1 |
| 16 | **** | Suppressor, AC Voltage | 1 |
| 17 | **** | Assembly, Wire | 1 |
| 18 | **** | Limiter, Current | 1 |
| 19 | 7577 | Screw, #10 X 0.50 Phillips Pan-Head | 10 |
| 20 | 101958201 | Cord, UK, AC, Battery Charger | 1 |
| 21 | 101958301 | Cord, European AC, Battery Charger | 1 |
| | | **** Special order item available upon request. | |
| | | Note: Level 1 Battery Charger part numbers include one AC and one DC cord. They do not include all of the level 2 cords listed. | |

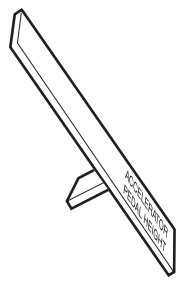
16

E

MAINTENANCE AND SERVICE TOOLS

17
G
E
D

17
G
E
D



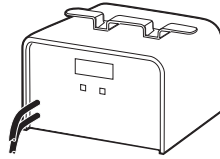
1



2



3



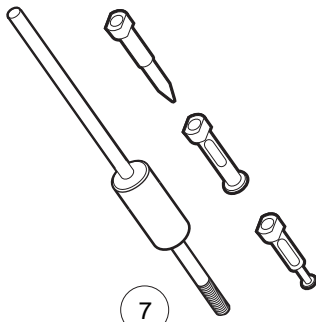
4



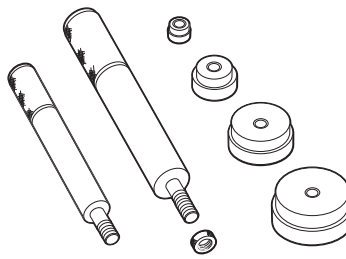
5



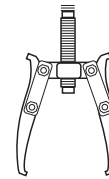
6



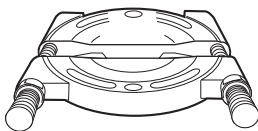
7



8



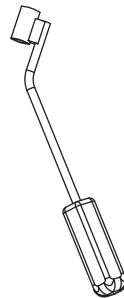
9



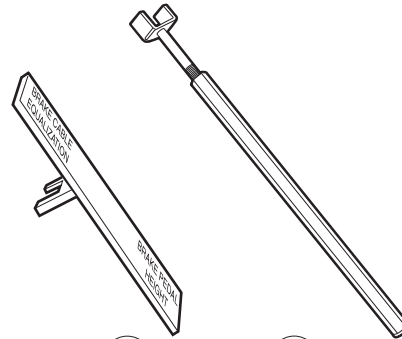
10



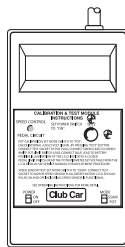
11



12



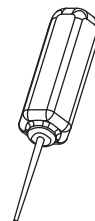
14 15
13



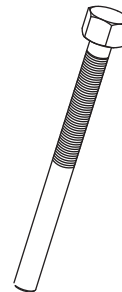
16



17



18



19

MAINTENANCE AND SERVICE TOOLS

| ITEM | PART NO. | DESCRIPTION | QTY DIESEL | QTY GAS | QTY ELEC |
|------|-----------|---|---------------|------------|-------------|
| | | <p style="text-align: center;">1 2 3 4</p> <p>The following tool list includes all tools available from Club Car for maintenance and service procedures for gasoline, electric, and/or diesel vehicles, both past and present models. Be sure to carefully examine the tool list for applicability to your vehicle before ordering.</p> | | | |
| 1 | 101871001 | Accelerator Pedal Adjustment Tool | | 1 | 1 |
| 2 | 101813202 | Adhesive, Guide Ring, 3-Gram Tube | | | 1 |
| 3 | 101641202 | Arbor | | 1 | |
| 4 | 101831901 | Battery Discharge Machine, 36/48 Volt | | | 1 |
| 5 | 1014305 | Battery Terminal Protector Spray | 1 | 1 | 1 |
| 6 | 1011767 | Battery Thermometer | 1 | 1 | 1 |
| 7 | 1016417 | Bearing and Oil Seal Remover Assembly | 1 | 1 | 1 |
| 8 | 1016416 | Bearing Driver Set | 1 | 1 | 1 |
| 9 | 1012811 | Bearing Puller | 1 | 1 | 1 |
| 10 | 1012812 | Bearing Puller Wedge Attachment | 1 | 1 | 1 |
| 11 | 1013582 | Brake Adjustment Tool (used only on vehicles with manually adjusted mechanical brakes) | | 1 | 1 |
| 12 | 102555501 | Brake Cable Release Tool | 1 | 1 | 1 |
| 13 | 102249901 | Brake Pedal Adjustment Tool Kit (used for the Carryall Electric Industrial Truck only) (includes items 14 and 15)..... | | | 1 |
| 14 | **** | Brake Pedal Adjustment Tool | | | 1 |
| 15 | **** | Brake Pedal Tension Tool | | | 1 |
| 16 | 101887101 | Calibration Test Module | | | 1 |
| 17 | 101808401 | Cam Installation Tool | | 1 | |
| 18 | 102562401 | Charger Bezel Tool | | | 1 |
| 19 | 102686101 | Clutch Removal Tool (for 4x4 vehicles) | 1 | 1 | |
| | | <p>Please refer to the maintenance and service manual for proper tool application.</p> <p>**** Special order item available upon request</p> | | | |

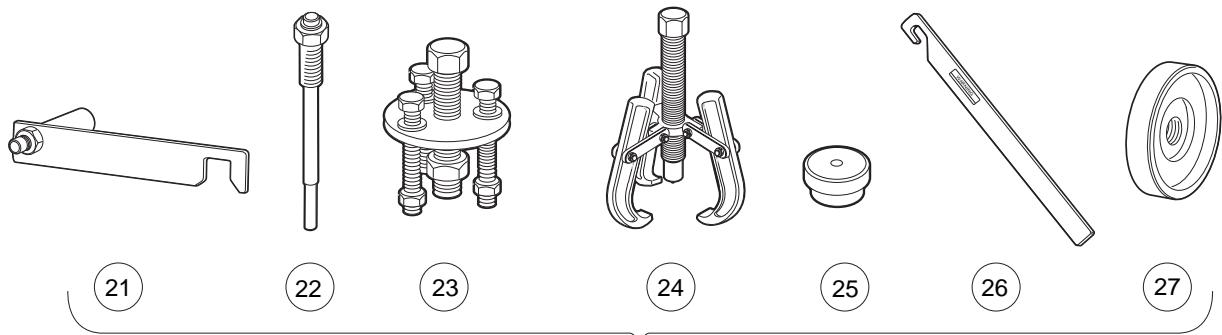
17

G

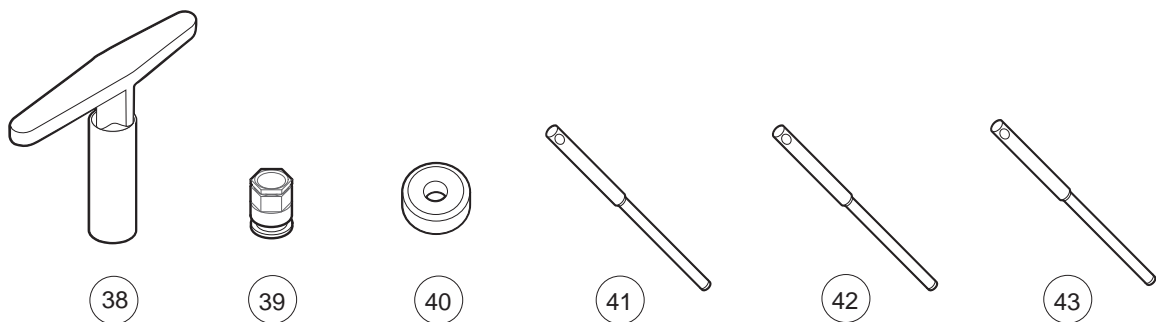
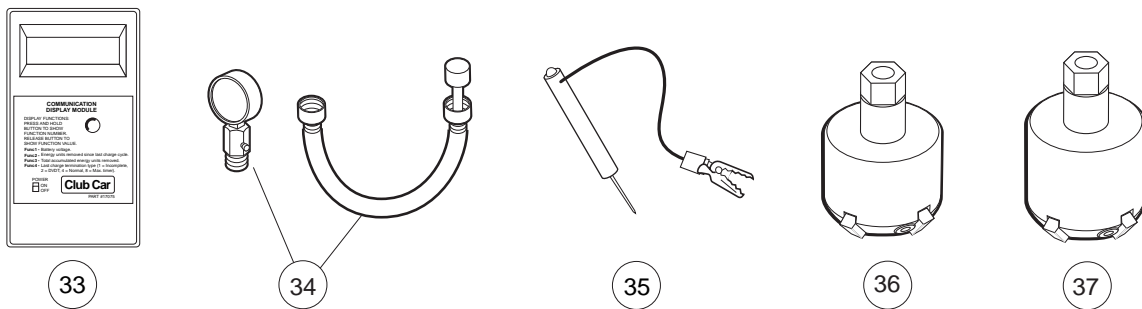
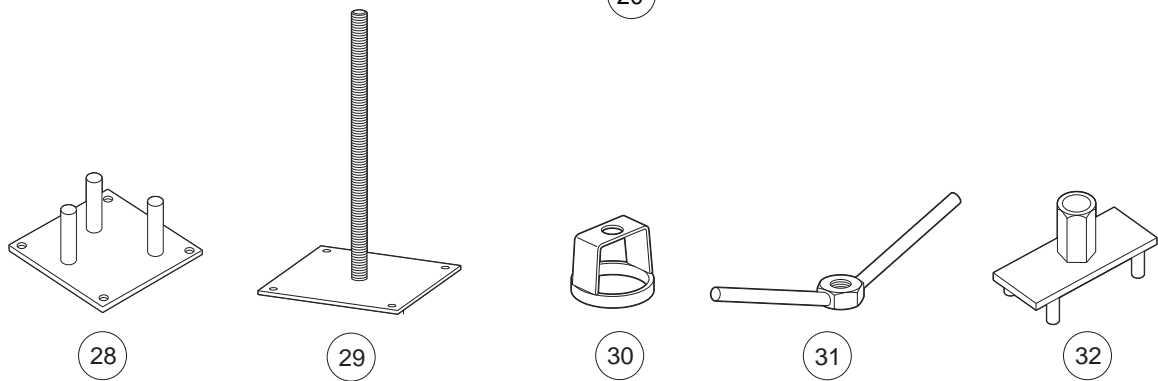
E

D

17
G
E
D



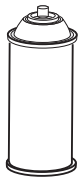
20



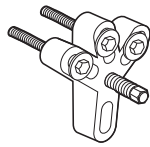
MAINTENANCE AND SERVICE TOOLS, CONTINUED

| ITEM | PART NO. | DESCRIPTION | QTY | QTY | QTY | 17 |
|------|-----------|--|--------|-----|------|----|
| | | | DIESEL | GAS | ELEC | |
| | | 1 2 3 4 | | | | G |
| 20 | 1014510 | Clutch Tool Kit (includes items 21 - 27) | | 1 | | E |
| 21 | 1014498 | Clutch Alignment Tool (for pre-unitized transaxle vehicles built prior to 1997 model year) | | 1 | | D |
| 22 | 1014496 | Drive Clutch Puller (for Kawasaki engines only) | | 1 | | |
| 23 | 1014497 | Drive Clutch Hub Puller (for Kawasaki engines only) | | 1 | | |
| 24 | 1014508 | Driven Clutch Cam Puller (for Kawasaki engines only) | | 1 | | |
| 25 | 1014507 | Driven Clutch Puller Plug (for Kawasaki engines only) | | 1 | | |
| 26 | 1015524 | Drive Clutch Holder Tool Assembly (for Kawasaki engines only) | | 1 | | |
| 27 | 101809101 | Press Weldment (for Kawasaki engines only) | | 1 | | |
| 28 | 102601501 | Drive ClutchFixed Sheave Tool (for 4x4 vehicles) | 1 | 1 | | |
| 29 | 102603501 | Driven Clutch Spring Compression Base (for use with items 30 and 31) (for 4x4 vehicles) | 1 | 1 | | |
| 30 | 102605201 | Driven Clutch Spring Compression Collar (for use with items 29 and 31) (for 4x4 vehicles) | 1 | 1 | | |
| 31 | 102606101 | Driven Clutch Spring Compression Nut (for use with items 29 and 30) (for 4x4 vehicles) | 1 | 1 | | |
| 32 | 102607501 | Drive Clutch Spider Removal Tool (for 4x4 vehicles) | 1 | 1 | | |
| 33 | 101831801 | Communication Display Module | | | 1 | |
| 34 | 101641002 | Compression Gauge and Adapter | | 1 | | |
| 35 | 1011273 | Continuity Tester | | 1 | 1 | |
| 36 | 102773801 | Cutter, Valve Seat, #122 | | 1 | | |
| 37 | 102773901 | Cutter, Valve Seat #115 | | 1 | | |
| 38 | 102774101 | Wrench, T, #505..... | | 1 | | |
| 39 | 102774101 | Adapter, T-Wrench | | 1 | | |
| 40 | 102675401 | Cutter, Valve Seat, 60 Degree (requires item 51) (for Honda GX620 Gasoline Engines) | | 1 | | |
| 41 | 102774201 | Pilot, 6.6 MM | | 1 | | |
| 42 | 102774301 | Pilot, 6.62 MM..... | | 1 | | |
| 43 | 102774401 | Pilot, 6.65 MM..... | | 1 | | |
| | | Please refer to the maintenance and service manual for proper tool application. | | | | |

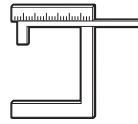
17
G
E
D



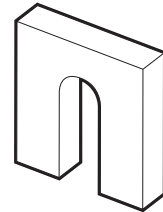
44



45



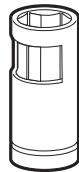
46



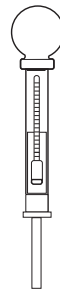
47



48



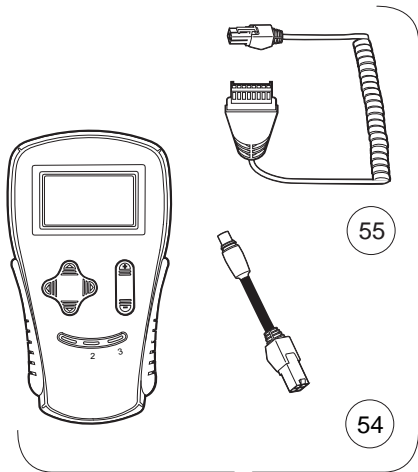
49



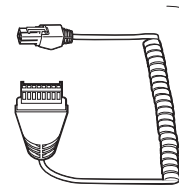
50



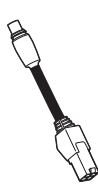
51



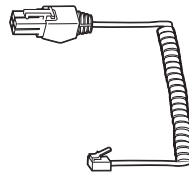
52 53



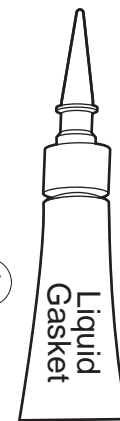
55



54



56



57



58



59 60



61

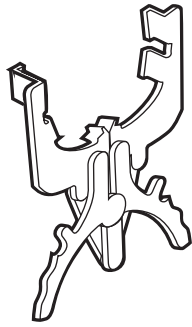
MAINTENANCE AND SERVICE TOOLS, CONTINUED

| ITEM | PART NO. | DESCRIPTION | QTY DIESEL | QTY GAS | QTY ELEC | 17 |
|------|-----------|--|---------------|------------|-------------|-----------|
| | | 1 2 3 4 | | | | |
| 44 | 1012151 | Dry Moly Lubricant | 1 | 1 | 1 | G |
| 45 | 1016627 | Flywheel Puller Kit (for Kawasaki Engines) | | 1 | | E |
| 46 | 102669901 | Gauge, Carburetor Float Level (for Honda GX620 Gasoline Engines) | | 1 | | D |
| 47 | 1016418 | Gear Yoke | 1 | 1 | 1 | |
| 48 | 101933101 | Governor Shaft Installation Tool (for Kawasaki Engine Vehicles) | | 1 | | |
| 49 | 102169401 | Hydraulic Brake Adjuster (for Turf/CA 272/472, Pioneer/XRT 1200, Bobcat 2100, HUV 4213) | | | 1 | |
| 50 | 1011478 | Hydrometer | 1 | 1 | 1 | |
| 51 | 1013593 | Internal Retaining Ring Pliers | 1 | 1 | 1 | |
| 52 | 102248803 | IQ Display Module (IQDM) Kit (IQ System and IQ Plus vehicles) | | | 1 | |
| | | (includes items 54 and 55) | | | | |
| 53 | 102248804 | IQ Display Module (IQDM-P) Kit (IQ System and IQ Plus vehicles) | | | 1 | |
| | | (includes items 54 and 55) | | | | |
| 54 | 102251501 | Adaptor, Cable | | | 1 | |
| 55 | 102241502 | IQDM Series 2 Cable | | | 1 | |
| 56 | 102241501 | IQDM Series 1 Cable (replacement) | | | 1 | |
| 57 | 101928701 | Liquid Gasket (transaxle case) | 1 | 1 | 1 | |
| 58 | 102243402 | Moly-Teflon Lubricant (4-oz. (113-gram) tube) | | | 1 | |
| 59 | 101997201 | Paint, Touch-Up – Beige* | | 1 | 1 | |
| 59 | 101997207 | Paint, Touch-Up – Black* | | 1 | 1 | |
| 59 | 101997212 | Paint, Touch-Up – Burgundy* | | 1 | 1 | |
| 59 | 101997211 | Paint, Touch-Up – Classic Blue (Navy)* | | 1 | 1 | |
| 59 | 101997205 | Paint, Touch-Up – Dark Gray* | 1 | 1 | 1 | |
| 59 | 101997209 | Paint, Touch-Up – Dark Green* | 1 | 1 | 1 | |
| 59 | 101997204 | Paint, Touch-Up – Gray* | 1 | 1 | 1 | |
| 59 | 101997203 | Paint, Touch-Up – Red* | 1 | 1 | 1 | |
| 59 | 101997206 | Paint, Touch-Up – Royal Blue (Pacific Blue)* | | 1 | 1 | |
| 59 | 101997202 | Paint, Touch-Up – White* | 1 | 1 | 1 | |
| 60 | 102562301 | Paint, Precedent Underbody – Gray | | 1 | 1 | |
| 61 | 102587201 | Paint Pen, Touch-Up, Precedent Underbody – Black | | 1 | 1 | |
| | | Please refer to the maintenance and service manual for proper tool application. | | | | |
| | | * Item 59 is not for use on Surlyn [®] body material, which is used on Precedent vehicles. | | | | |

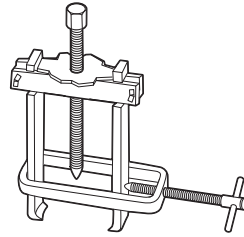
17
G
E
D



62



63



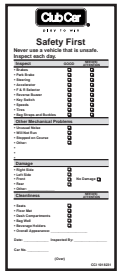
64



65



66



67



68



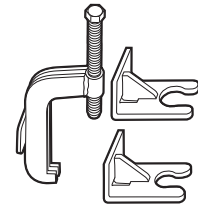
69



70



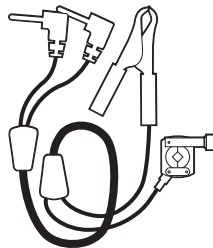
71



72



73



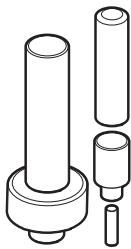
74



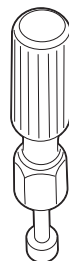
75



76



77



83



84



85



86

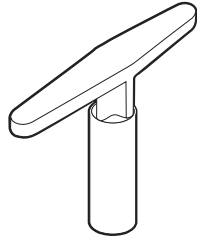
MAINTENANCE AND SERVICE TOOLS, CONTINUED

| ITEM | PART NO. | DESCRIPTION | QTY | QTY | QTY | 17 |
|------|-----------|---|--------|-----|------|-----------|
| | | | DIESEL | GAS | ELEC | |
| | | 1 2 3 4 | | | | G |
| 62 | 1016414 | Piston Ring Compressor Kit (FE290, FE350 and FE400 engines) | | 1 | | E |
| 63 | 1016415 | Piston Ring Pliers (for Kawasaki Engines) | | 1 | | D |
| 64 | 102668801 | Puller, Special Use (for Kubota D722 Diesel Engines) | 1 | | | |
| 65 | 1012549 | Retaining Ring Pliers, 45° External | 1 | 1 | 1 | |
| 66 | 1012560 | Retaining Ring Pliers, 90° Internal | 1 | 1 | 1 | |
| 67 | 101823101 | Safety First Card (50 per pack) | 1 | 1 | 1 | |
| 68 | 1012809 | Seal Puller | 1 | 1 | 1 | |
| 69 | 102330901 | Spanner Wrench (for coil over shock front suspension vehicles only) | 1 | 1 | | |
| 70 | 1014264 | Steering Column Bearing Press Tool | | 1 | 1 | |
| 71 | 1014259 | Steering Column Retaining Ring Tool | | 1 | 1 | |
| 72 | 102061201 | Steering Wheel Puller Tool | 1 | 1 | 1 | |
| 73 | AM10753 | Tachometer (includes gasoline engine pick up lead only) | 1 | 1 | | |
| 74 | AM10771 | Tachometer Diesel Probe (for use with item 73) | 1 | | | |
| 75 | 1014162 | Transaxle Axle Seal Tool | | 1 | | |
| 76 | 1014161 | Transaxle Pinion Seal Tool | | 1 | | |
| 77 | 1014115 | Transmission Tool Kit | | 1 | | |
| 78 | 101611003 | Tune-Up Kit, All OHV (for FE290, FE350, FE400 only) (includes air filter, spark plug, oil filter, fuel filters) (not shown) | | 1 | | |
| 79 | AM11804 | Tune-Up Kit, Gx620 (for Honda Engines) (includes air filter, spark plug, oil filter, fuel filters) (not shown) | | 1 | | |
| 80 | AM11805 | Tune-Up Kit, D722 (for Kubota Engines) (includes air filter, oil filter, fuel filters, water separator filter) (not shown) | 1 | | | |
| 81 | AM1220301 | Tune-Up Kit, Precedent (for FE290/350 Engines) (includes air filter, spark plug, oil filter, fuel filters) (not shown) | | 1 | | |
| 82 | AM1232401 | Tune-Up Kit, FH680D (for Kawasaki V-Twin Engines) (includes oil filter, fuel filter, air filter, and spark plugs) (not shown) | | 1 | | |
| 83 | 1016413 | Valve Clearance Adjuster Screw Holder (for FE290 engines only) | | 1 | | |
| 84 | 102674601 | Valve Guide Driver (for Honda GX620 Gasoline Engines) | | 1 | | |
| 85 | 101641201 | Valve Guide Reamer (FE290, FE350, and FE400 only) | | 1 | | |
| 86 | 102674401 | Valve Guide Reamer, 6.6 mm (for Honda GX620 Gasoline Engines) | | 1 | | |

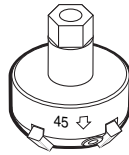
17
G
E
D



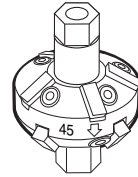
87



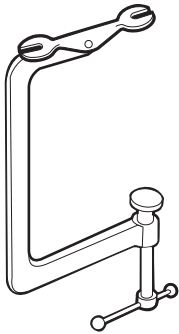
88



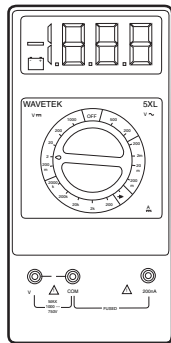
89



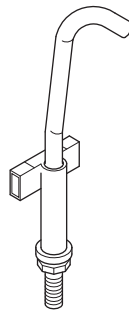
90



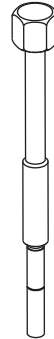
91



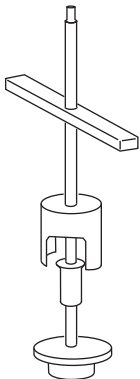
92



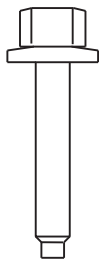
93



94



95



96

MAINTENANCE AND SERVICE TOOLS, CONTINUED

| ITEM | PART NO. | DESCRIPTION | QTY DIESEL | QTY GAS | QTY ELEC |
|--|-----------|--|---------------|------------|-------------|
| | | 1 2 3 4 | | | |
| 87 | 1016552 | Valve Seat Cutter Guide | | 1 | |
| 88 | 1016551 | Valve Seat Cutter T-Wrench | | 1 | |
| 89 | 1016553 | Valve Seat Cutter, 45° (32 mm diameter) (for FE290 engines only) | | 1 | |
| 90 | 1016554 | Valve Seat Cutter, 45°/30° (35 mm diameter) | | 1 | |
| 91 | 101641101 | Valve Spring Compressor | | 1 | |
| 92 | 1011480 | Volt Ohm Meter | 1 | 1 | 1 |
| 93 | 102570401 | Tool, Tensioning, Starter Generator (For Precedent vehicles) | | 1 | |
| 94 | 103601401 | Puller, Drive Clutch, XRT 950* | | 1 | |
| 95 | 103601701 | Tool, Disassembly, Driven Clutch, XRT 950 | | 1 | |
| 96 | 103600501 | Screw, Driven Clutch Disassembly, M6, XRT 950 | | 1 | |
| <p>*Note: The XRT 950 Drive Clutch Puller requires the use of Screw, Driven Clutch Disassembly, CCI Part Number 103600501.</p> | | | | | |

17

G

E

D

INDEX

Part Number and Page

| | | | | | |
|-----------|--|-----------|---|-----------|---------------------------------------|
| AM10753 | 17-9 | 7973 | 1-7, 10-17 | 1011291 | 12-7 |
| AM10771 | 17-9 | 8057 | 6-9, 12-9 | 1011382 | 6-7, 13-13 |
| AM10080 | 12-5 | 8058 | 6-9, 12-9 | 1011393 | 5-15 |
| AM10081 | 12-5 | 8067 | 5-15 | 1011394 | 1-3, 1-5 |
| AM10419 | 11-7 | 8104 | 12-9 | 1011402 | 4-5 |
| AM10682 | 2-3 | 8233 | 1-19, 1-23, 1-27, 4-9, 4-11, 6-17, 12-3, 12-11 | 1011411 | 14-3 |
| AM10724 | 8-5 | 8248 | 6-17 | 1011415 | 5-17, 5-21 |
| AM1232301 | 7-7 | 8251 | 1-15 | 1011418 | 4-5 |
| CCX8506 | 16-3, 16-5, 16-7 | 8450 | 11-3 | 1011478 | 17-7 |
| 183 | 10-5, 10-17, 10-21, 11-3, 12-3 | 8639 | 10-19, 13-9 | 1011480 | 17-11 |
| 304 | 12-11 | 8717 | 4-9, 4-11, 6-9, 12-3, 12-9 | 1011553 | 1-25, 3-3 |
| 332 | 1-11, 1-19, 1-21, 1-23, 1-27, 6-17, 9-3, 10-15, 13-9 | 8754 | 1-17, 4-9, 4-11, 5-3, 5-9, 5-11, 5-13, 5-17, 5-19, 5-21, 6-13 | 1011578 | 5-3, 13-17 |
| 334 | 4-9, 4-11, 5-3, 5-9, 5-19, 7-15, 8-15 | 8755 | 1-17, 5-13, 5-17, 5-21 | 1011694 | 4-9, 4-11 |
| 357 | 1-25, 5-13 | 8797 | 10-5, 10-21 | 1011697 | 5-3, 7-15, 8-15, 10-13 |
| 403 | 1-17 | 8861 | 5-11 | 1011700 | 4-9, 4-11 |
| 451 | 1-21, 9-3, 14-3, 14-5, 14-7 | 8990 | 5-9, 5-19, 6-9, 13-9 | 1011734 | 4-13 |
| 705 | 1-25, 6-13, 7-15, 8-15 | 1010005 | 5-15 | 1011767 | 17-3 |
| 706 | 1-25, 5-13 | 1010028 | 12-9 | 1011779 | 4-7 |
| 808 | 11-3 | 1010124 | 5-13 | 101187702 | 4-5 |
| 1016 | 10-5, 10-21 | 1010138 | 5-11 | 1011887 | 5-15 |
| 1028 | 1-21, 4-5 | 1010142 | 5-17, 5-21 | 1011889 | 5-15 |
| 1032 | 1-21, 4-5 | 1010144 | 5-17, 5-21 | 1011892 | 5-15 |
| 1035 | 4-7, 5-9 | 1010145 | 5-17, 5-21 | 1011895 | 5-9 |
| 1231 | 1-21 | 1010145 | 5-17, 5-21 | 1011930 | 5-9 |
| 1241 | 1-3, 1-5, 1-25, 4-5, 4-7, 4-9, 4-11, 6-9, 6-13, 6-15, 9-3, 12-11, 14-3 | 1010150 | 5-13 | 1011931 | 4-9, 4-11 |
| 1242 | 1-25, 4-7, 6-9, 6-13 | 1010177 | 5-13 | 1011990 | 1-21, 1-25 |
| 1606 | 10-17 | 1010342 | 5-15 | 1012098 | 16-3, 16-5, 16-7, 16-9, 16-11 |
| 1624 | 4-9, 4-11, 5-9, 5-19 | 1010347 | 5-15 | 1012101 | 16-7, 16-9, 16-11 |
| 2402 | 5-11 | 1010348 | 5-15 | 1012151 | 17-7 |
| 7048 | 5-15 | 1010434 | 1-21, 10-3 | 1012181 | 5-17, 5-21 |
| 7049 | 1-23 | 1010435 | 1-3, 1-5, 1-17 | 1012182 | 5-17, 5-21 |
| 7173 | 6-15, 12-11 | 1010543 | 1-11 | 1012285 | 1-27, 10-7, 10-13, 10-19, 13-9, 13-23 |
| 7174 | 1-25, 5-3, 6-13, 9-3, 10-13, 14-3, 14-5 | 1010546 | 1-3 | 1012295 | 6-9 |
| 7251 | 1-3, 1-5 | 1010577 | 7-15, 8-15 | 1012303 | 1-17, 5-13, 5-17, 5-21 |
| 7274 | 5-15 | 1010805 | 4-5 | 1012304 | 5-17, 5-21 |
| 7308 | 5-15 | 1010829 | 4-7 | 1012333 | 12-11 |
| 7310 | 2-3 | 1010877 | 4-5 | 1012396 | 6-7 |
| 7330 | 12-7, 15-3 | 1010878 | 1-19, 4-5 | 1012431 | 6-9 |
| 7335 | 12-5, 15-3 | 101090801 | 13-17, 13-19 | 1012467 | 5-9 |
| 7336 | 15-3 | 1010921 | 4-5 | 1012505 | 6-7, 13-13 |
| 7473 | 1-3, 1-5, 1-17, 1-23, 4-5, 4-7, 4-9, 4-11, 6-9, 6-15 | 1010927 | 4-5 | 1012528 | 9-3, 13-9 |
| 7532 | 1-17 | 1010932 | 4-5 | 1012549 | 17-9 |
| 7540 | 5-9 | 1010933 | 4-5 | 1012560 | 17-9 |
| 7555 | 5-9, 5-19 | 1010934 | 1-23, 1-25, 6-15, 14-3, 14-5 | 1012565 | 5-5 |
| 7577 | 16-5, 16-7, 16-9, 16-11 | 1010953 | 4-3 | 1012566 | 5-5 |
| 7602 | 5-9 | 1010954 | 6-9, 12-3 | 1012571 | 7-15, 8-15, 13-19 |
| 7716 | 4-5, 4-9, 4-11 | 1010984 | 2-3 | 1012604 | 5-3 |
| 7818 | 6-9 | 1011014 | 1-3, 1-5 | 1012605 | 5-3 |
| 7840 | 5-15 | 1011017 | 1-3, 1-5 | 1012649 | 10-7, 10-19 |
| 7847 | 1-9, 1-27, 9-3 | 1011084 | 4-13 | 1012711 | 12-3 |
| 7893 | 6-9, 12-11 | 1011153 | 5-15 | 1012714 | 12-5 |
| 7910 | 5-15 | 1011273 | 17-5 | 1012740 | 12-5 |
| | | 1011280 | 14-3 | 1012741 | 12-5 |
| | | 1011285 | 14-3 | 1012747 | 12-5 |
| | | 1011290 | 14-3 | 1012748 | 12-5 |
| | | | | 1012752 | 12-3 |

INDEX

| | | | | | |
|-----------|---------------------------|---------|------------------|-----------|------------------------|
| 1012809 | 17-9 | 1013869 | 4-5 | 1014498 | 17-5 |
| 1012811 | 17-3 | 1013870 | 4-5 | 1014507 | 17-5 |
| 1012812 | 17-3 | 1013871 | 4-9, 4-11 | 1014508 | 17-5 |
| 1012830 | 6-13, 9-3, 10-13 | 1013876 | 4-5 | 1014510 | 17-5 |
| 1012836 | 11-7 | 1013924 | 4-3, 7-15, 8-15 | 1014537 | 1-23 |
| 1012896 | 12-3 | 1014007 | 4-9, 4-11, 12-3 | 1014540 | 13-23 |
| 1012991 | 6-11 | 1014049 | 11-3 | 101454602 | 5-21 |
| 1013001 | 6-11 | 1014050 | 11-3 | 101454902 | 5-17 |
| 1013003 | 6-11 | 1014051 | 11-3 | 1014555 | 5-17, 5-21 |
| 1013005 | 6-11 | 1014052 | 11-3 | 1014573 | 5-17, 5-21 |
| 101301102 | 6-11 | 1014055 | 11-3 | 1014675 | 5-17, 5-21 |
| 1013035 | 5-9, 5-19 | 1014056 | 11-3 | 1014771 | 2-3 |
| 1013042 | 5-9, 5-11, 5-19 | 1014057 | 11-3 | 1014807 | 6-9, 12-9 |
| 1013044 | 5-9, 5-19 | 1014058 | 11-3 | 1014808 | 6-9, 12-9 |
| 1013051 | 5-9, 5-19 | 1014059 | 11-3 | 1014901 | 5-17, 5-21 |
| 1013052 | 5-9, 5-19 | 1014062 | 11-3 | 1014902 | 5-17, 5-21 |
| 1013061 | 12-3, 12-9, 13-15 | 1014063 | 11-3, 13-9 | 1014947 | 13-9 |
| 101313402 | 10-19 | 1014065 | 6-9, 11-3 | 1014948 | 6-9 |
| 1013135 | 5-15 | 1014070 | 11-7 | 101503202 | 1-7 |
| 1013164 | 5-17, 5-21 | 1014072 | 11-7 | 1015072 | 13-17, 13-19 |
| 1013207 | 5-17 | 1014076 | 11-7 | 1015075 | 1-3, 1-5 |
| 1013309 | 1-11 | 1014078 | 11-7 | 1015137 | 10-7, 10-11, 10-25 |
| 1013311 | 1-11 | 1014080 | 11-7 | 1015139 | 10-5 |
| 1013312 | 1-11 | 1014115 | 17-9 | 1015143 | 10-5 |
| 1013317 | 1-21, 3-9 | 1014116 | 10-7, 10-19 | 101524002 | 6-13 |
| 1013343 | 1-7 | 1014119 | 6-9 | 1015245 | 1-21 |
| 1013344 | 1-7 | 1014125 | 5-3 | 1015252 | 1-17 |
| 1013420 | 1-9 | 1014126 | 5-3 | 1015277 | 1-19 |
| 1013422 | 1-9 | 1014145 | 6-9 | 1015313 | 1-21 |
| 1013461 | 10-5, 10-21 | 1014153 | 4-3 | 1015332 | 7-5, 8-3 |
| 1013462 | 10-5, 10-21 | 1014161 | 17-9 | 1015345 | 6-9 |
| 1013483 | 1-25 | 1014162 | 17-9 | 1015363 | 1-21 |
| 1013494 | 6-7, 13-13 | 1014193 | 12-7 | 1015365 | 1-21 |
| 1013531 | 4-7 | 1014201 | 14-3, 14-5, 14-7 | 1015367 | 1-21 |
| 1013547 | 13-23 | 1014207 | 12-7 | 1015371 | 6-9 |
| 1013582 | 17-3 | 1014213 | 5-3 | 1015372 | 6-9 |
| 1013589 | 6-9 | 1014214 | 5-3 | 1015373 | 6-9 |
| 1013593 | 17-7 | 1014217 | 5-3 | 1015390 | 1-21 |
| 1013609 | 6-9 | 1014259 | 17-9 | 1015399 | 1-17, 1-23 |
| 1013677 | 3-5 | 1014264 | 17-9 | 1015400 | 1-17, 1-21 |
| 1013683 | 13-17, 13-19 | 1014276 | 5-13 | 1015405 | 1-3, 6-9 |
| 1013687 | 10-7, 10-19 | 1014287 | 11-3 | 1015413 | 1-21 |
| 1013700 | 10-13 | 1014288 | 5-3, 6-15, 11-3 | 1015414 | 1-21 |
| 1013734 | 9-3, 13-9 | 1014289 | 6-11 | 1015426 | 10-15 |
| 1013746 | 10-7, 10-11, 10-19, 10-25 | 1014304 | 13-17, 13-19 | 1015427 | 1-17 |
| 1013760 | 12-3 | 1014305 | 17-3 | 1015445 | 1-25 |
| 1013768 | 12-7 | 1014306 | 1-27 | 101547601 | 3-7 |
| 1013769 | 12-7 | 1014321 | 1-15, 1-23 | 1015507 | 1-17 |
| 1013770 | 12-7 | 1014375 | 6-15 | 1015524 | 17-5 |
| 1013771 | 12-7 | 1014387 | 1-15, 1-23 | 1015528 | 6-7, 13-13 |
| 1013772 | 12-7 | 1014415 | 1-23 | 1015530 | 1-27 |
| 1013773 | 12-7 | 1014453 | 11-3 | 101553901 | 1-21, 3-3 |
| 1013774 | 12-7 | 1014454 | 11-7 | 1015583 | 1-17, 5-13, 5-17, 5-21 |
| 1013787 | 12-7 | 1014471 | 1-17 | 1015597 | 5-9, 5-15 |
| 1013792 | 12-7 | 1014496 | 17-5 | 1015606 | 1-21 |
| 1013794 | 12-7, 15-3 | 1014497 | 17-5 | 101562711 | 1-11 |

INDEX

| | | | | | |
|-----------|-------------------|-----------|------------------------|-----------|--------------------------------|
| 101562712 | 1-11 | 1016418 | 17-7 | 1016518 | 8-9 |
| 101562714 | 1-11 | 1016423 | 6-9 | 1016519 | 8-9 |
| 101562715 | 1-11 | 101642575 | 10-9, 10-23 | 1016521 | 7-11, 8-11 |
| 101564501 | 1-11 | 101642578 | 10-9, 10-23 | 1016531 | 7-5, 8-3 |
| 101564502 | 1-11 | 101642580 | 10-9, 10-23 | 1016535 | 7-11, 8-11 |
| 101564503 | 1-11 | 101642582 | 10-9, 10-23 | 1016537 | 7-3, 8-7 |
| 101564505 | 1-11 | 101642585 | 10-9 | 1016538 | 7-11, 8-11 |
| 1015649 | 7-5, 8-3 | 1016429 | 7-3, 8-7 | 1016539 | 7-5, 8-3 |
| 101567202 | 2-3 | 1016432 | 7-3, 8-7, 12-3 | 1016541 | 7-13, 8-13 |
| 1015737 | 6-9 | 1016436 | 7-9, 8-9 | 1016542 | 7-9 |
| 1015741 | 6-9 | 1016437 | 10-9 | 1016544 | 7-7, 7-9, 7-11, 8-5, 8-9, 8-11 |
| 1015752 | 6-9, 10-15, 13-11 | 1016438 | 10-11, 10-25 | 1016545 | 7-9 |
| 1015814 | 9-3 | 1016440 | 7-9, 8-9, 10-11, 10-25 | 1016546 | 10-13 |
| 101584502 | 10-13 | 1016441 | 10-11, 10-25 | 1016547 | 7-5, 8-3, 8-13, 10-11, 10-25 |
| 101587702 | 10-19 | 1016444 | 10-11, 10-25 | 1016549 | 7-9, 8-9 |
| 1015878 | 6-9, 12-9 | 1016445 | 8-5 | 1016551 | 17-11 |
| 1015914 | 16-7, 16-9, 16-11 | 1016449 | 7-9, 8-9 | 1016552 | 17-11 |
| 1015917 | 16-7, 16-9 | 1016450 | 7-9, 8-9 | 1016553 | 17-11 |
| 1015921 | 10-5, 10-21 | 1016451 | 7-9 | 1016554 | 17-11 |
| 1015932 | 6-13 | 1016452 | 7-9, 8-9 | 1016560 | 8-9 |
| 1015969 | 7-5, 8-3 | 1016453 | 7-11 | 1016561 | 7-7, 8-5 |
| 1016060 | 1-19 | 1016454 | 7-11, 8-11 | 1016562 | 7-7, 7-13, 8-5, 8-13 |
| 1016074 | 6-13 | 1016455 | 7-7, 8-5 | 1016563 | 7-9, 8-9 |
| 1016078 | 1-19 | 1016456 | 7-5, 8-3, 8-5 | 1016564 | 7-11, 8-11 |
| 101609401 | 3-3 | 1016457 | 7-3, 8-7 | 1016566 | 7-9, 8-9 |
| 101611003 | 17-9 | 1016458 | 7-9, 8-9 | 1016569 | 7-9, 8-9 |
| 1016154 | 5-5 | 1016467 | 7-3, 8-7 | 1016570 | 7-3, 8-7 |
| 101615504 | 5-7 | 1016470 | 7-13, 8-13 | 1016571 | 7-13, 8-13 |
| 1016156 | 5-5, 5-7 | 1016472 | 7-11, 8-11 | 1016572 | 10-11, 10-25 |
| 1016183 | 5-3 | 1016473 | 7-3, 8-7 | 1016576 | 7-3, 8-7 |
| 1016201 | 11-3 | 1016474 | 7-9, 8-9 | 1016578 | 8-5 |
| 1016219 | 5-5 | 1016479 | 7-9, 8-9 | 1016579 | 8-5 |
| 1016269 | 5-3 | 1016480 | 10-11 | 1016581 | 7-3, 8-7 |
| 1016289 | 11-3 | 101648102 | 10-11, 10-25 | 1016582 | 10-11, 10-25 |
| 1016337 | 12-5 | 101648203 | 7-3, 8-7 | 1016583 | 7-9, 8-9 |
| 1016338 | 12-5 | 1016483 | 7-9, 8-9 | 1016584 | 7-11, 8-11 |
| 1016346 | 5-11 | 1016486 | 10-9 | 1016585 | 10-9 |
| 1016349 | 5-11 | 1016489 | 7-9, 8-9 | 1016586 | 8-5 |
| 1016350 | 5-11 | 101649002 | 10-11, 10-25 | 1016587 | 7-7, 8-5 |
| 1016351 | 5-11 | 1016494 | 7-11, 8-11 | 1016588 | 7-7, 8-5 |
| 1016353 | 5-11 | 1016496 | 7-11, 8-11 | 1016627 | 17-7 |
| 1016384 | 5-13 | 1016497 | 8-5 | 1016630 | 6-7 |
| 1016385 | 5-11 | 1016499 | 10-9 | 1016663 | 5-5, 5-7 |
| 1016386 | 5-13 | 1016501 | 10-9 | 1016672 | 12-7 |
| 1016387 | 5-11, 5-13 | 1016502 | 7-3, 8-7 | 1016679 | 1-27 |
| 1016389 | 5-13 | 1016506 | 7-11, 8-11 | 101670201 | 3-9 |
| 1016401 | 6-9 | 1016507 | 7-5, 8-3 | 1016751 | 1-13 |
| 101641002 | 17-5 | 1016510 | 7-11, 8-11 | 101675511 | 1-13 |
| 101641101 | 17-11 | 1016513 | 12-3 | 101675512 | 1-13 |
| 101641201 | 17-9 | 101651402 | 2-3 | 101675514 | 1-13 |
| 101641202 | 17-3 | 101651406 | 2-3 | 101675515 | 1-13 |
| 1016413 | 17-9 | 101651407 | 2-3 | 101677701 | 1-13 |
| 1016414 | 17-9 | 101651409 | 2-3 | 101677702 | 1-13 |
| 1016415 | 17-9 | 101651412 | 2-3 | 101677703 | 1-13 |
| 1016416 | 17-3 | 101651413 | 2-3 | 101677705 | 1-13 |
| 1016417 | 17-3 | 1016517 | 7-9, 8-9 | 1016801 | 11-3 |

INDEX

| | | | | | |
|-----------|----------------|-----------|--------------|-----------|--------------------|
| 1016849 | 6-7, 13-13 | 101744901 | 7-13, 8-13 | 101791101 | 4-3 |
| 1016851 | 6-7, 13-13 | 101744902 | 7-13, 8-13 | 1017944 | 14-3 |
| 1016868 | 1-3, 1-5 | 1017450 | 7-13, 8-13 | 1017947 | 14-3 |
| 1016883 | 6-13 | 101745101 | 7-13, 8-13 | 1017949 | 14-3 |
| 1016904 | 7-9, 8-9, 9-3 | 101745102 | 7-13, 8-13 | 1017950 | 14-3 |
| 101692501 | 1-3, 1-5 | 1017453 | 7-13, 8-13 | 1017953 | 14-3 |
| 101692502 | 1-3, 1-5 | 1017454 | 7-9, 8-9 | 101795701 | 13-5, 13-17, 13-19 |
| 101692504 | 1-5 | 1017455 | 7-7, 8-5 | 101796201 | 4-9, 4-11 |
| 101692506 | 1-3, 1-5 | 1017456 | 7-3, 8-7 | 101796501 | 13-15 |
| 101692509 | 1-3, 1-5 | 101745701 | 7-13, 8-13 | 101796801 | 13-15 |
| 101692510 | 1-3, 1-5 | 101745702 | 7-13, 8-13 | 101797701 | 13-17 |
| 101692511 | 1-3, 1-5 | 1017458 | 7-3, 8-7 | 101797702 | 13-17 |
| 101692512 | 1-3, 1-5 | 1017460 | 7-3, 8-7 | 101797801 | 13-17, 13-19 |
| 101692513 | 1-3, 1-5 | 1017461 | 10-9 | 101801001 | 13-15 |
| 101692514 | 1-3, 1-5 | 1017463 | 7-7, 8-5 | 101802101 | 13-15 |
| 101692515 | 1-3, 1-5 | 1017466 | 10-11, 10-25 | 101802201 | 16-7 |
| 101693901 | 1-3, 1-5 | 1017468 | 8-5 | 101802202 | 16-7 |
| 101693902 | 1-3, 1-5 | 1017471 | 7-13, 8-13 | 101802203 | 16-7 |
| 101693904 | 1-5 | 1017472 | 7-11, 8-11 | 101802204 | 16-5 |
| 101693906 | 1-3, 1-5 | 1017473 | 7-9, 8-9 | 101802205 | 16-5 |
| 101693908 | 1-5 | 1017474 | 7-5, 8-3 | 101802206 | 16-5 |
| 101693909 | 1-3, 1-5 | 1017475 | 7-5, 8-3 | 101804301 | 6-7, 10-15 |
| 101693910 | 1-3, 1-5 | 1017476 | 7-5, 8-3 | 101805701 | 10-17 |
| 101693911 | 1-3, 1-5 | 1017486 | 7-5, 8-3 | 101808401 | 17-3 |
| 101693912 | 1-3, 1-5 | 1017487 | 7-11, 8-11 | 101809101 | 17-5 |
| 101693913 | 1-3, 1-5 | 1017490 | 7-7, 8-5 | 101811401 | 10-17 |
| 101693914 | 1-3, 1-5 | 1017500 | 8-3 | 101811501 | 10-17 |
| 1016952 | 1-9 | 1017501 | 7-13, 8-13 | 101811801 | 10-15 |
| 1016967 | 1-3, 1-5 | 1017502 | 7-13, 8-13 | 101811901 | 10-15 |
| 1017029 | 4-5 | 1017503 | 7-13, 8-13 | 101812301 | 10-15 |
| 1017080 | 1-3, 1-5 | 1017504 | 7-11, 8-11 | 101813001 | 10-15 |
| 1017082 | 12-3 | 1017507 | 7-3, 8-7 | 101813202 | 17-3 |
| 1017188 | 11-5 | 1017508 | 7-11, 8-11 | 101815501 | 4-3 |
| 1017226 | 5-3 | 1017510 | 7-13, 8-13 | 101815502 | 4-3 |
| 1017231 | 12-3 | 1017512 | 7-13, 8-13 | 101816401 | 4-3 |
| 1017235 | 5-17, 5-21 | 1017513 | 7-11, 8-11 | 101816501 | 4-3 |
| 1017266 | 5-11 | 1017514 | 7-11, 8-11 | 101816502 | 4-3 |
| 1017273 | 5-5, 5-7 | 101751801 | 7-11, 8-11 | 101817401 | 4-9, 4-11 |
| 1017313 | 5-3 | 101751802 | 7-11, 8-11 | 101818801 | 4-9 |
| 1017314 | 5-3 | 101751803 | 7-11, 8-11 | 101821501 | 10-15 |
| 1017315 | 5-3 | 1017653 | 6-11 | 101823101 | 17-9 |
| 1017317 | 5-3 | 1017686 | 11-7 | 101823201 | 4-3 |
| 101734802 | 1-3 | 1017689 | 9-3 | 101823801 | 4-3 |
| 101737002 | 2-3 | 1017696 | 4-9, 4-11 | 101824401 | 10-7 |
| 1017378 | 4-9, 4-11 | 1017705 | 13-15 | 101825101 | 3-3, 6-7, 13-13 |
| 1017380 | 4-9, 4-11 | 101773301 | 7-13, 8-13 | 101826201 | 13-13 |
| 1017424 | 4-9, 4-11 | 101773302 | 7-13, 8-13 | 101826301 | 6-7 |
| 1017434 | 7-9, 8-9 | 101773303 | 7-13, 8-13 | 101827101 | 7-15, 8-15 |
| 1017435 | 8-9 | 101773304 | 7-13, 8-13 | 101828301 | 16-7 |
| 1017442 | 7-3, 8-7 | 101773305 | 7-13, 8-13 | 101828501 | 16-7, 16-9, 16-11 |
| 1017443 | 7-9, 8-9, 8-11 | 101773306 | 7-13, 8-13 | 101828801 | 16-5, 16-7 |
| 1017444 | 8-9 | 101773307 | 7-13, 8-13 | 101828802 | 16-5, 16-7 |
| 1017445 | 7-9, 8-9 | 101773308 | 7-13, 8-13 | 101828901 | 16-7, 16-9, 16-11 |
| 1017446 | 8-9 | 101773309 | 7-13, 8-13 | 101828902 | 16-7, 16-9, 16-11 |
| 1017447 | 8-11 | 101773310 | 7-13, 8-13 | 101828903 | 16-7 |
| 1017448 | 7-7, 8-5 | 101773311 | 7-13, 8-13 | 101828904 | 16-5 |

INDEX

| | | | | | |
|-----------|-------------|-----------|------------|-----------|-------------------------|
| 101828905 | 16-5 | 101876001 | 6-11 | 101897001 | 15-3 |
| 101828906 | 16-5 | 101876202 | 6-11 | 101897201 | 15-3 |
| 101830601 | 6-7, 13-13 | 101876301 | 6-11 | 101897401 | 15-3 |
| 101830701 | 6-7, 13-13 | 101876402 | 6-11 | 101897601 | 15-3 |
| 101831101 | 16-7 | 101876501 | 6-11 | 101898001 | 6-15 |
| 101831503 | 16-9 | 101877601 | 6-11 | 101900801 | 4-7, 5-21 |
| 101831504 | 16-9 | 101877701 | 6-11 | 101903001 | 13-5, 13-9 |
| 101831701 | 16-9 | 101878101 | 6-11 | 101903601 | 15-3 |
| 101831702 | 16-9 | 101878201 | 4-5 | 101903701 | 15-3 |
| 101831801 | 17-5 | 101878302 | 5-9 | 101905901 | 10-9 |
| 101831901 | 17-3 | 101879001 | 6-11 | 101906901 | 15-3 |
| 101832001 | 13-15 | 101879401 | 5-9, 5-19 | 101908101 | 13-21 |
| 101832202 | 10-13 | 101879501 | 5-9, 5-19 | 101908401 | 6-17, 13-21 |
| 101832302 | 10-13 | 101879601 | 5-9, 5-19 | 101908601 | 3-5 |
| 101832601 | 7-15, 8-15 | 101879701 | 5-9, 5-19 | 101908703 | 13-9 |
| 101832701 | 7-15, 8-15 | 101879801 | 5-9, 5-19 | 101909201 | 8-5 |
| 101833101 | 7-15, 8-15 | 101879901 | 5-9, 5-19 | 101909301 | 8-5 |
| 101833401 | 11-7 | 101880001 | 5-9, 5-19 | 101909401 | 8-5 |
| 101833601 | 12-3 | 101880101 | 5-9, 5-19 | 101909501 | 8-5 |
| 101833701 | 6-11 | 101880201 | 5-9, 5-19 | 101910501 | 12-7 |
| 101833902 | 11-3 | 101880301 | 5-9, 5-19 | 101912401 | 4-13 |
| 101834001 | 11-7 | 101881101 | 8-5 | 101914401 | 16-7, 16-9 |
| 101834502 | 6-7, 13-13 | 101881701 | 10-15 | 101915201 | 3-7 |
| 101834601 | 7-15, 8-15 | 101884801 | 7-15, 8-15 | 101916001 | 8-13 |
| 101834801 | 12-3 | 101884901 | 2-3 | 101916101 | 7-5, 8-3 |
| 101835601 | 1-17, 1-19 | 101886101 | 12-3 | 101916201 | 8-5 |
| 101836201 | 11-7 | 101887101 | 17-3 | 101916301 | 7-7, 8-5 |
| 101837101 | 10-15 | 101887601 | 7-5, 8-3 | 101916701 | 6-13, 11-3 |
| 101837301 | 6-13 | 101889401 | 12-5 | 101917601 | 10-15 |
| 101838201 | 16-9 | 101890001 | 12-5 | 101917701 | 10-17 |
| 101838301 | 16-9 | 101890101 | 12-3 | 101918401 | 2-3 |
| 101838401 | 16-9, 16-11 | 101890201 | 12-3 | 101918501 | 4-5 |
| 101838501 | 16-9 | 101890501 | 12-3 | 101919801 | 4-9, 4-11 |
| 101838601 | 16-9, 16-11 | 101890601 | 12-3 | 101920101 | 13-11, 14-3, 14-5, 14-7 |
| 101850301 | 10-17 | 101890901 | 12-7 | 101921501 | 10-15 |
| 101851101 | 6-7, 13-13 | 101891001 | 12-7 | 101922101 | 15-3 |
| 101856002 | 13-13 | 101891301 | 12-3 | 101922201 | 15-3 |
| 101856102 | 6-9 | 101891401 | 12-7 | 101922501 | 6-17, 13-21 |
| 101856201 | 10-17 | 101891501 | 12-7 | 101923001 | 15-3 |
| 101859401 | 9-3 | 101891601 | 12-5 | 101923201 | 15-3 |
| 101861901 | 4-9, 4-11 | 101891901 | 12-5 | 101923501 | 15-3 |
| 101862001 | 4-11 | 101892001 | 12-5 | 101923701 | 15-3 |
| 101869302 | 6-11 | 101892201 | 12-5 | 101923901 | 15-3 |
| 101870501 | 5-13 | 101892301 | 12-5 | 101925601 | 11-3 |
| 101871001 | 17-3 | 101892401 | 12-5 | 101925701 | 10-15 |
| 101874901 | 6-11 | 101892501 | 12-5 | 101926901 | 12-3 |
| 101875001 | 6-11 | 101892601 | 12-5 | 101927101 | 12-3 |
| 101875101 | 6-11 | 101892701 | 12-7 | 101927201 | 12-3 |
| 101875102 | 6-11 | 101892901 | 12-3 | 101927301 | 12-3 |
| 101875201 | 6-11 | 101893201 | 12-5 | 101927501 | 12-5 |
| 101875301 | 6-11 | 101893801 | 12-3 | 101927601 | 12-5 |
| 101875401 | 6-11 | 101893901 | 12-5 | 101927701 | 12-5 |
| 101875501 | 6-11 | 101894303 | 1-11 | 101927901 | 12-5 |
| 101875601 | 6-11 | 101895401 | 15-3 | 101928001 | 12-5 |
| 101875701 | 6-11 | 101895501 | 15-3 | 101928101 | 12-5 |
| 101875802 | 6-11 | 101896501 | 6-11 | 101928301 | 12-7 |

INDEX

| | | | | | |
|-----------|-------------------------------|-----------|------------------|-----------|-------------|
| 101928601 | 12-3 | 101990801 | 4-7 | 102289201 | 5-11, 5-19 |
| 101928701 | 12-3, 15-3, 17-7 | 101997802 | 13-23 | 102304801 | 7-9, 8-9 |
| 101929501 | 10-7 | 102003201 | 10-7, 10-19 | 102323101 | 4-5 |
| 101929801 | 11-3 | 102022101 | 4-7 | 102323201 | 4-5 |
| 101929802 | 11-3 | 102022601 | 5-11 | 102330901 | 17-9 |
| 101931501 | 3-5, 13-9 | 102022602 | 5-11, 5-19 | 102336001 | 10-13 |
| 101933101 | 17-7 | 102026001 | 4-9, 4-11 | 102336101 | 10-13 |
| 101936801 | 13-11 | 102031901 | 12-7 | 102355301 | 6-15 |
| 101939901 | 6-11 | 102061201 | 17-9 | 102356601 | 15-3 |
| 101942301 | 14-3, 14-5, 14-7 | 102065901 | 1-17, 7-15, 8-15 | 102356801 | 15-3 |
| 101946201 | 1-15 | 102101001 | 13-11 | 102357001 | 15-3 |
| 101953101 | 4-7 | 102101101 | 13-11 | 102376001 | 12-9, 12-11 |
| 101953802 | 8-3 | 102155801 | 11-7 | 102406701 | 10-21 |
| 101954301 | 1-11 | 102169401 | 17-7 | 102430901 | 8-13 |
| 101956201 | 16-11 | 102185401 | 10-17 | 102431001 | 8-11 |
| 101956202 | 16-11 | 102186001 | 14-5, 14-7 | 102453001 | 12-5 |
| 101958201 | 16-11 | 102186101 | 14-5, 14-7 | 102453101 | 12-5 |
| 101958301 | 16-11 | 102186201 | 14-5, 14-7 | 102458901 | 3-7 |
| 101958601 | 1-19 | 102186301 | 14-5, 14-7 | 102459301 | 3-3 |
| 101959902 | 3-5 | 102186401 | 14-5, 14-7 | 102508701 | 13-13 |
| 101960101 | 3-3 | 102186701 | 14-5, 14-7 | 102513701 | 10-5 |
| 101960501 | 3-7 | 102186901 | 14-5, 14-7 | 102515401 | 12-3 |
| 101963301 | 1-15 | 102187001 | 14-5 | 102518001 | 3-5, 13-13 |
| 101963401 | 1-15, 1-23, 7-15, 8-15, 12-11 | 102187101 | 14-5, 14-7 | 102519201 | 3-7 |
| 101964001 | 1-15 | 102187201 | 14-5, 14-7 | 102522001 | 10-5, 10-21 |
| 101964201 | 13-19 | 102190702 | 10-17 | 102526201 | 12-9 |
| 101964202 | 13-19 | 102196901 | 13-13 | 102540301 | 7-15, 8-15 |
| 101965202 | 13-9 | 102199601 | 13-5, 13-9 | 102555501 | 17-3 |
| 101968701 | 13-5, 13-9 | 102235201 | 14-3, 14-5, 14-7 | 102562401 | 17-3 |
| 101971301 | 10-15 | 102240104 | 14-3 | 102564002 | 5-13 |
| 101972001 | 17-7 | 102240501 | 13-9 | 102569304 | 2-3 |
| 101972002 | 17-7 | 102241501 | 17-7 | 102570401 | 17-11 |
| 101972003 | 17-7 | 102241502 | 17-7 | 102572401 | 13-13 |
| 101972004 | 17-7 | 102242101 | 11-7 | 102588501 | 5-17, 5-21 |
| 101972005 | 17-7 | 102243402 | 17-7 | 102601501 | 17-5 |
| 101972006 | 17-7 | 102243403 | 14-3, 14-5, 14-7 | 102603501 | 17-5 |
| 101972007 | 17-7 | 102248803 | 17-7 | 102605201 | 17-5 |
| 101972009 | 17-7 | 102249901 | 17-3 | 102606101 | 17-5 |
| 101972011 | 17-7 | 102251501 | 17-7 | 102607501 | 17-5 |
| 101972012 | 17-7 | 102263601 | 13-9 | 102616701 | 12-9 |
| 101972101 | 15-3 | 102265601 | 14-3 | 102668801 | 17-9 |
| 101972201 | 15-3 | 102265701 | 14-3 | 102669901 | 17-7 |
| 101972801 | 10-15 | 102265801 | 14-3 | 102674001 | 17-5 |
| 101973101 | 10-9 | 102265901 | 14-3 | 102674101 | 17-5 |
| 101973301 | 10-9 | 102266001 | 14-3 | 102674201 | 17-5 |
| 101973401 | 10-11, 10-25 | 102266101 | 14-3 | 102674401 | 17-9 |
| 101973501 | 16-11 | 102267001 | 14-3 | 102674601 | 17-9 |
| 101978001 | 13-5, 13-9 | 102273201 | 16-5 | 102675001 | 17-5 |
| 101978101 | 13-9 | 102273301 | 16-5 | 102675101 | 17-5 |
| 101978201 | 13-9 | 102273401 | 16-5 | 102675201 | 17-5 |
| 101980801 | 12-5 | 102273601 | 16-5 | 102675301 | 17-5 |
| 101980901 | 12-5 | 102273701 | 16-3, 16-5 | 102675401 | 17-5 |
| 101981001 | 12-5 | 102273801 | 16-3, 16-5 | 102684501 | 5-13 |
| 101984801 | 5-3 | 102273901 | 16-3, 16-5 | 102684602 | 12-9 |
| 101987501 | 16-11 | 102274001 | 16-5 | 102686101 | 17-3 |
| 101987701 | 10-19 | 102278001 | 5-3 | 102704701 | 14-5, 14-7 |

INDEX

| | | | | | |
|-----------|-------------|-----------|------------|--|-------------------------|
| 102704801 | 14-5, 14-7 | 103316901 | 13-9 | 103507101 | 10-25 |
| 102704901 | 14-5, 14-7 | 103325501 | 14-3 | 103507201 | 10-25 |
| 102705001 | 14-5 | 103325601 | 14-3 | 103507301 | 10-25 |
| 102711201 | 6-9 | 103325701 | 14-3 | 103512801 | 16-3 |
| 102751601 | 10-5 | 103325801 | 14-3 | 103512901 | 16-3 |
| 102753401 | 8-9 | 103337601 | 14-3 | 103513001 | 16-3 |
| 102766301 | 5-13 | 103345701 | 11-3 | 103517401 | 16-3 |
| 102771701 | 15-3 | 103348201 | 6-7 | 103517601 | 16-5 |
| 102865101 | 10-7, 10-19 | 103348501 | 6-7 | 103520301 | 10-17 |
| 102886301 | 15-3 | 103348601 | 6-7 | 103538701 | 1-17 |
| 102886401 | 15-3 | 103351001 | 5-11 | 103538901 | 1-17 |
| 102886501 | 15-3 | 103354701 | 5-11 | 103601501 | 5-19 |
| 102886601 | 15-3 | 103369101 | 10-21 | 103601601 | 5-3 |
| 102966401 | 1-15 | 103369501 | 12-9 | 103615601 | 7-9 |
| 102966501 | 1-15 | 103372101 | 10-21 | 103615701 | 7-9 |
| 102966502 | 1-15 | 103372201 | 10-21 | 103615801 | 7-13 |
| 102969401 | 12-9 | 103372301 | 10-21 | 103615901 | 7-11 |
| 102969801 | 12-9 | 103372401 | 10-19 | 103616201 | 7-13 |
| 102969901 | 12-9 | 103372601 | 10-19 | 103616301 | 7-9 |
| 102974201 | 10-5 | 103374701 | 10-21 | 103616401 | 7-11 |
| 102977001 | 6-7 | 103380201 | 4-3 | 103616501 | 7-7 |
| 102977002 | 13-13 | 103380202 | 4-3 | 103616601 | 7-7 |
| 102977901 | 10-7, 10-19 | 103386202 | 7-5 | 103616701 | 7-7 |
| 102978001 | 10-7, 10-19 | 103390201 | 13-9 | 103616801 | 7-7 |
| 102989501 | 1-15, 1-17 | 103390801 | 6-7 | 103616901 | 10-23 |
| 103010101 | 10-7 | 103397901 | 16-5, 16-7 | 103653401 | 5-19 |
| 103173301 | 12-9 | 103403101 | 13-9 | 103653501 | 5-11 |
| 103174401 | 10-3 | 103406501 | 1-21 | 103717001 | 16-3 |
| 103177401 | 12-9 | 103406502 | 1-21 | 103717002 | 16-3 |
| 103180101 | 6-7, 13-13 | 103406601 | 1-21 | 103717003 | 16-3 |
| 103187601 | 10-5 | 103414901 | 16-5, 16-7 | 103721101 | 10-19 |
| 103192701 | 12-9 | 103428101 | 10-19 | 103756401 | 10-19 |
| 103197001 | 6-5, 6-9 | 103428501 | 16-3 | 103779601 | 16-3 |
| 103198301 | 13-13 | 103428601 | 16-3 | 103781101 | 10-7 |
| 103198401 | 6-17 | 103428701 | 16-3 | 103781201 | 10-7 |
| 103199001 | 6-7 | 103429001 | 16-3 | 96704416 | 7-15, 8-15 |
| 103199101 | 6-7 | 103429101 | 16-3 | | |
| 103205401 | 3-3, 6-7 | 103429201 | 16-3 | | |
| 103205501 | 3-7, 6-17 | 103429301 | 16-3 | A | |
| 103210201 | 3-7, 6-7 | 103429501 | 16-3 | absorber, rear shock | 5-17, 5-21 |
| 103210301 | 3-5, 13-13 | 103429701 | 16-3 | AC cord | 16-5, 16-7, 16-9, 16-11 |
| 103218601 | 13-13 | 103434001 | 16-3 | AC cord bushing | 16-3, 16-5 |
| 103221801 | 13-5, 13-9 | 103439701 | 10-19 | AC cord receptacle | 16-11 |
| 103234301 | 3-9 | 103439901 | 16-3 | AC cordset | 16-3 |
| 103245201 | 1-15 | 103452002 | 10-19 | accelerator bracket and bearing assembly | 4-9, 4-11 |
| 103245301 | 1-15 | 103452101 | 10-19 | accelerator cable | 10-13 |
| 103260001 | 3-9 | 103477901 | 5-15 | accelerator pedal | 4-9, 4-11 |
| 103260701 | 3-9 | 103483101 | 4-3 | accelerator pedal adjustment tool | 17-3 |
| 103282601 | 13-9 | 103483102 | 4-3 | accelerator pivot rod | 4-9, 4-11 |
| 103282701 | 13-9 | 103483201 | 4-3 | accelerator return spring | 4-9, 4-11 |
| 103284001 | 3-9 | 103483301 | 4-3 | accelerator rod | 4-13 |
| 103295101 | 12-11 | 103483401 | 4-3 | adapter | |
| 103295201 | 12-11 | 103483501 | 4-3 | cable (IQDM) | 17-7 |
| 103306301 | 10-7, 10-19 | 103483601 | 4-3 | adhesive, guide ring | 17-3 |
| 103316701 | 13-9 | 103483701 | 4-3 | adjuster | |
| 103316801 | 13-9 | 103507001 | 5-13 | hydraulic brake | 17-7 |

INDEX

- adjuster, lash 8-11
 - air box 10-15
 - air box top 10-15
 - air duct shield 10-17
 - air filter 10-15
 - air intake hose 10-15
 - ammeter 16-3, 16-5, 16-7, 16-9, 16-11
 - angled bumper mount 5-17
 - A-plate strap 5-11
 - A-plate, delta 5-11
 - arbor 17-3
 - arm
 - governor 12-3
 - pivot 12-3
 - rocker 7-9, 8-9
 - armature 6-11, 14-3, 14-5, 14-7
 - armature conversion kit 6-11
 - assembly
 - accelerator bracket and bearing 4-9, 4-11
 - accelerator pivot rod 4-9, 4-11
 - air box 10-15
 - air box top 10-15
 - armature 6-11
 - axle 12-7
 - bearing, steering shaft 5-3
 - bell crank and shaft 6-9
 - brake lever 4-3
 - brush connector 6-11
 - brush holder 6-11
 - carburetor 10-9
 - connecting rod 7-13, 8-13
 - cylinder head 8-9
 - delta A-plate 5-11
 - delta shock and gear support 5-11
 - drive hub 11-3
 - driven clutch 11-7
 - driven clutch fixed-face 11-7
 - field coil 6-11
 - float 10-9
 - frame and field (motor) 14-5, 14-7
 - front panel 1-21
 - fuel tank vent 10-5
 - governor 12-5
 - idle screw 10-9
 - inner ball joint 5-9, 5-19
 - kingpin 5-13
 - latch weld 1-17
 - moveable-face 11-3, 11-7
 - pilot air screw 10-9
 - plug cap 7-7, 8-5
 - ratchet 4-5
 - score card plate 5-5
 - secondary clutch weight 11-3
 - side panel 1-21
 - steering shaft 5-3
 - steering wheel 5-5, 5-7
 - tailgate 1-21
 - axle 12-7, 15-3
 - axle shaft oil seal 12-7, 15-3
 - axle tube 15-3
 - B**
 - bag, desiccant 11-3
 - ball bearing 7-11, 8-11
 - ball joint 4-5, 4-13, 5-9, 12-11
 - ball joint, left-hand thread 5-9
 - ball stud 6-9, 12-3
 - ball, shifter 12-5
 - ball, steel pressure relief 7-3, 8-7
 - band, RPM limiter mount 8-5
 - bar, drive 13-11
 - barb, vent 10-7
 - barrel, plastic 1-21, 10-3
 - battery 6-15
 - 8-volt 13-17
 - 8-volt moist 13-17
 - battery cap 13-17, 13-19
 - battery charger 16-5, 16-7, 16-9, 16-11
 - battery charger case 16-5, 16-7, 16-9, 16-11
 - battery charger handle 16-5
 - battery charger receptacle 13-15
 - battery charger transformer 16-5, 16-7, 16-9, 16-11
 - battery clamp 6-15
 - battery discharge machine 17-3
 - battery hold-down 13-17, 13-19
 - battery light 13-13
 - battery terminal protector spray 17-3
 - battery thermometer 17-3
 - battery, 8-volt, Trojan T890 13-19
 - battery, 8-volt, Trojan T890, moist 13-19
- bearing 15-3
 - ball 7-11, 8-11
 - ball (motor) 14-5, 14-7
 - ball (steering pinion) 5-9, 5-19
 - front wheel hub 5-15
 - hub 5-15
 - idler 11-3
 - inner axle tube 12-7, 15-3
 - lower pinion (steering) 5-9, 5-19
 - needle 12-5
 - outer axle tube 12-7
 - pivot support 4-9, 4-11
 - steering shaft 5-3
 - thrust 5-13
 - bearing and oil seal remover 17-3
 - bearing driver set 17-3
 - bearing puller 17-3
 - bearing puller wedge 17-3
 - bearing retainer 14-3
 - bearing seat 5-3
 - bed frame assembly 1-17
 - bed latch 1-21
 - bed latch spring 1-21
 - bed seal 1-15, 1-17
 - bed, floor plate 1-17
 - bed, tilt 1-17
 - bell crank and shaft 6-9
 - bellows 5-9, 5-19
 - belt, drive 11-5
 - belt, starter/generator 6-13, 11-3
 - block, brake-mounting 4-5
 - block, fuse 6-9
 - body, front 1-5
 - bolt, J- 13-17, 13-19
 - bolt, U- 5-17, 5-21
 - boot, steering column 5-3
 - boot, switch 6-17, 13-21
 - bottom, air box 10-15
 - box
 - air 10-15
 - cargo 1-21
 - electrical component 6-9
 - steering gear 5-9, 5-19
 - box, electrical component 6-9, 13-9
 - brace, trailer hitch 1-25
 - bracket
 - accelerator cable 10-13
 - adjustable starter/generator 6-13
 - FNR shifter 12-9
 - governor cable 10-13
 - hour meter 13-23
 - muffler mounting 9-3
 - oil filter mount 7-3, 8-7
 - oil level switch 7-11, 8-11
 - relay mounting 16-9
 - RPM limiter 8-5
 - shock absorber 5-17, 5-21
 - shock mounting 5-17, 5-21
 - snubber 7-15, 8-15
 - starter/generator mounting 6-13
 - steering column 5-3
 - steering column mounting 5-3
 - throttle spring return 10-11, 10-25
 - Tow/Run switch 6-17, 13-21
 - bracket, carburetor intake manifold 10-25
 - brake adjusting mechanism 4-3
 - brake adjustment tool 17-3
 - brake cable 4-7
 - brake cable equalizer 4-7
 - brake cable hanger 4-7, 5-17, 5-21
 - brake cable release tool 17-3
 - brake drum 4-3
 - brake lever 4-3
 - brake mounting block 4-5
 - brake pedal 4-5
 - brake pedal adjustment tool 17-3
 - brake pedal pad 4-5

INDEX

- brake pedal tension tool 17-3
 - brake return spring 4-7
 - brake self-adjusting mechanism 4-3
 - brake shoe 4-3
 - brake spring 4-3
 - breaker, circuit 16-3, 16-5, 16-7, 16-9, 16-11
 - breather 12-3, 15-3
 - brush 14-3, 14-5, 14-7
 - brush and screw set 6-11
 - brush box assembly 14-5, 14-7
 - brush connector 6-11
 - brush holder 6-11
 - brush inspection port cover 6-11
 - brush port cover 6-11
 - brush rigging 14-3, 14-5, 14-7
 - brush spring 14-3, 14-5, 14-7
 - brush spring set 6-11
 - bumper
 - drive unit (motor) 14-3, 14-5, 14-7
 - front 1-3, 1-5
 - front, heavy duty 1-3
 - front, kit 1-3, 1-5
 - jounce 5-17, 5-21
 - rubber 1-19, 4-5
 - seal, long 1-11
 - spring return 4-9, 4-11
 - bumper mount 5-21
 - bumper mount, angled 5-17
 - bumper, heavy duty 1-3
 - bumper, seat 1-11
 - bushing 11-3, 12-9
 - AC cord 16-3, 16-5
 - bronze 5-15
 - nylon 1-21, 1-23, 4-5
 - return line 10-21
 - snap-in 1-21
 - spindle 5-15
 - steel 1-17, 5-13, 5-17, 5-21
 - urethane 1-17, 5-11, 5-13, 5-17, 5-21
 - bushing, insulated 14-3
 - button, choke 10-17
 - button, drive 11-7
 - buzzer, reverse 6-7, 13-13
- ## C
- cable
 - accelerator 10-13
 - brake 4-7
 - FNR shifter 12-11
 - governor 10-13
 - IQDM 17-7
 - calibration test module 17-3
 - cam
 - driven clutch 11-7
 - electrical component box 6-9
 - cam installation tool 17-3
 - cam, FNR shifter 12-9
 - camshaft 8-11
 - camshaft shim 7-11, 8-11
 - cap
 - battery 13-17, 13-19
 - corner 1-15, 1-23
 - dust 13-13
 - fuel tank 10-5
 - key switch 6-7, 13-13
 - plug 7-7, 8-5
 - seat back 1-13
 - carburetor 10-9
 - carburetor adapter 10-25
 - carburetor float level tool 17-7
 - carburetor gasket 10-11, 10-25
 - carburetor insulator 10-11, 10-25, 14-3
 - carburetor mounting gasket 10-11, 10-25
 - card, safety first 17-9
 - cargo bed, side panel 1-21
 - cargo box 1-21
 - case
 - battery charger 16-5, 16-7, 16-9, 16-11
 - differential gear 12-7
 - gear 12-3, 15-3
 - rocker 8-9
 - case, charger 16-3
 - charger bezel tool 17-3
 - charger board relay 16-3
 - charger case 16-3
 - charger hardware 16-3
 - charger legs 16-3
 - charger receptacle 13-15
 - charger, battery 16-5, 16-7
 - choke button 10-17
 - choke lever 10-17
 - choke lever guide 10-17
 - choke positioner 10-17
 - choke valve 10-15
 - circuit breaker 16-3, 16-5, 16-7, 16-9, 16-11
 - clamp
 - battery 6-15
 - cable retaining 10-13
 - hose 10-7, 10-11, 10-15, 10-19, 10-25
 - muffler hose 9-3
 - clevis, upper delta 5-13
 - clip, meter 6-7
 - clip, score card 5-5
 - cluster idler gear 12-5
 - clutch alignment tool 17-5
 - clutch pulley 11-3
 - clutch removal tool 17-3
 - clutch repair kit 11-7
 - clutch tool kit 17-5
 - clutch weight 11-3
 - clutch, drive 11-3
 - clutch, driven 11-7
 - coil, field 6-11
 - coil, ignition 8-5
 - collet 7-9, 8-9
 - column, steering 5-3
 - communication display module 17-5
 - component box, electrical 6-9
 - component mounting plate 13-9
 - compression gauge 17-5
 - compression spring 10-17
 - compressor, piston ring 17-9
 - compressor, valve spring 17-11
 - computer, onboard 13-9
 - connecting rod 7-13, 8-13
 - connector, a- 6-11
 - continuity tester 17-5
 - controller cover 13-9
 - controller cover gasket 13-9
 - cord connector 7-11, 8-11
 - cord set, DC 16-5
 - cord, AC 16-5, 16-7, 16-9, 16-11
 - cord, DC 16-7, 16-9, 16-11
 - Cordset
 - PD3, AC 114" 16-3
 - PD3, AC 80" 16-3
 - PD3, DC 113" 16-3
 - PD3, DC 154" 16-3
 - PD3, DC 205" 16-3
 - counterbalance guide shaft 7-13, 8-13
 - counterbalance weight 7-13, 8-13
 - cover
 - brush inspection port 6-11
 - brush port 6-11
 - crankcase 7-11, 8-11
 - dust 5-15
 - electrical box 6-9
 - oil pump 7-3, 8-7
 - rocker switch hole 6-7, 13-13
 - screw head 6-7, 13-13
 - steering column 5-3
 - cover gasket, controller 13-9
 - cover plate 14-5, 14-7
 - cover, controller 13-9
 - cover, speed controller 13-9
 - cowl 1-3, 1-5
 - crankcase 8-13
 - crankcase cover 7-11, 8-11
 - crankcase vent tube 10-11, 10-25
 - crankshaft 7-13, 8-13
 - crankshaft rod 7-13, 8-13
 - crankshaft shim 7-13, 8-13
 - C-type stop ring 5-9, 5-19
 - cup holder 1-9
 - cup, spring 4-9, 4-11
 - current limiter 16-11
 - cushion, shock absorber 5-17, 5-21
 - cutter, valve seat 17-5, 17-11

INDEX

- D**
- damper, RPM limiter 8-5
 - dash 6-7, 13-13
 - dash component 1-7
 - dash panel 6-7, 13-13
 - DC cord 16-7, 16-9, 16-11
 - DC cord set 16-5
 - DC cordset 16-3
 - decal
 - battery danger 3-5
 - bed load warning 1-21, 3-3
 - Carryall 1 3-9
 - component cover 3-5, 13-9
 - crush area warning 3-3
 - driver/passenger 3-7
 - FNR 3-5, 3-7, 6-7, 13-13
 - frame ground 3-7
 - hot surface warning 3-7
 - IR 3-9
 - motor braking 3-5
 - on/off 3-3, 6-7, 13-13
 - operating instructions (electric) 3-5, 13-13
 - operating instructions (gas) 3-7
 - rollover warning 3-3, 6-7
 - rotating parts 3-7
 - run/service switch 3-7, 6-17
 - tailgate 1-21, 3-9
 - Tow/Run switch warning 3-5
 - trailer hitch 1-25, 3-3
 - Turf 1 3-9
 - vehicle loading 3-3
 - delta A-plate 5-11
 - delta A-plate sub-assembly 5-11
 - delta shock and gear support 5-11
 - desiccant bag 11-3
 - DF-terminal insulator 6-11
 - diagnostic port 13-13
 - diesel tachometer probe 17-9
 - differential
 - drive unit 15-3
 - differential gear 12-7, 15-3
 - differential gear case 12-7
 - differential housing 15-3
 - differential idler gear 12-7
 - differential pin 12-7
 - diode 6-9
 - dipstick 7-5, 8-3
 - drain plug 7-3, 8-7
 - drain plug gasket 7-3, 8-7, 12-3
 - drive bar 13-11
 - drive belt 11-5
 - drive button 11-7
 - drive clutch 11-3
 - drive clutch button 11-3
 - drive clutch fixed sheave tool 17-5
 - drive clutch fixed-face 11-3
 - drive clutch holder tool 17-5
 - drive clutch hub puller 17-5
 - drive clutch puller 17-5
 - drive clutch spider removal tool 17-5
 - drive clutch spring 11-3
 - drive clutch weight 11-3
 - drive hub 11-3
 - drive unit bumper 14-3, 14-5, 14-7
 - driven clutch 11-7
 - driven clutch button 11-7
 - driven clutch cam 11-7
 - driven clutch cam puller 17-5
 - driven clutch fixed-face assembly 11-7
 - driven clutch puller plug 17-5
 - driven clutch spring compression base tool 17-5
 - driven clutch spring compression collar tool 17-5
 - driven clutch spring compression nut tool 17-5
 - driver, drive clutch 11-3
 - drum, brake 4-3
 - dry moly lubricant 17-7
 - dust cap 13-13
 - dust cover 5-15
- E**
- E-clip 4-7
 - electrical box cover 6-9
 - electrical component box 6-9, 13-9
 - end bell, commutator 6-11
 - end bell, output shaft 6-11
 - end cap, motor 14-3, 14-5, 14-7
 - end shield
 - motor 14-3
 - end, tie rod 5-11
 - engine mounting plate 7-15, 8-15
 - engine shroud 7-5, 8-3
 - engine, FE350 CW without ACR 8-3
 - engine, FE350 S27 7-5
 - equalizer rod 4-7
 - equalizer, brake cable 4-7
 - exhaust system 9-3
 - exhaust valve 7-9, 8-9
 - extension, spring latch 1-17
 - extrusion 13-9
- F**
- face, moveable 11-3, 11-7
 - fan housing 7-5, 8-3
 - fan shroud 7-5, 8-3
 - fan, flywheel 7-7, 8-5
 - fender, rear 1-27
 - field coil 6-11
 - field coil housing 6-11
 - fill plug 12-3
 - filter
 - air 10-15
 - fuel 10-7, 10-19
 - oil 7-3, 8-7
 - oil pump 7-3, 8-7
 - fitting, thread-forming grease 5-9, 5-15
 - fixed-face, drive clutch 11-3
 - fixed-face, driven clutch 11-7
 - float 10-9
 - floor mat 1-7
 - flywheel 8-5
 - flywheel fan 7-7, 8-5
 - flywheel fan plate 7-7, 8-5
 - flywheel puller 17-7
 - FNR closeout brush 6-7
 - FNR shift lever 12-3
 - FNR shifter 12-9
 - FNR shifter bracket 12-9
 - FNR shifter cable 12-11
 - FNR shifter cam 12-9
 - fork, shift 12-5
 - frame and field assembly (motor) 14-5, 14-7
 - front body 1-5
 - front bumper 1-3, 1-5
 - front bumper kit 1-3, 1-5
 - front panel 1-21
 - front spring retainer plate 5-13
 - front suspension 5-11
 - F-terminal hardware 6-11
 - f-terminal insulator 6-11
 - fuel filter 10-7, 10-19
 - fuel gauge sending unit 10-5, 10-21
 - fuel line 10-7, 10-11, 10-19, 10-25
 - fuel meter 6-7
 - fuel pickup tube 10-5
 - fuel pump mount 10-7
 - fuel tank 10-5
 - fuel tank cap 10-5
 - fuel tank strap 10-7, 10-19
 - fuel tank vent 10-5
 - fuel tank vent grommet 10-21
 - fuse 13-15, 16-7, 16-9, 16-11
 - 10-amp 6-9
 - 20-amp 6-9
 - 3/8-amp 13-15
 - charger 16-3, 16-5
 - fuse block 6-9
- G**
- gasket 15-3
 - carburetor 10-11, 10-25
 - carburetor mounting 10-9, 10-11, 10-25
 - crankcase cover 7-9, 8-9, 8-11
 - drain plug 7-3, 8-7, 12-3
 - exhaust 7-9, 8-9, 9-3

INDEX

head 7-9, 8-9
insulator 7-9, 8-9, 10-11, 10-25
liquid 12-3, 15-3, 17-7
rocker case 7-9, 8-9
sending unit 10-5, 10-21
gasket kit, FE350 7-9, 8-9
gasket, controller cover 13-9
gauge, compression 17-5
gauge, fuel-hour 6-7
gear
 case 12-3, 15-3
 cluster idler 12-5
 differential 12-7, 15-3
 differential idler 12-7, 15-3
 differential output 15-3
 helical 7-13, 8-13, 12-5, 12-7
 spur 7-13, 8-13, 12-5
 synchro 12-5
gear yoke 17-7
governor 12-5
governor arm 12-3
governor cable 10-13
governor cable bracket 10-13
governor shaft installation tool 17-7
grip, pencil 5-5
grip, tilt latch hand 1-17, 1-21
grommet 10-5
grommet, fuel tank vent 10-21
guard, splash 10-3
guide
 choke lever 10-17
 intake valve 8-9
 valve 8-9
 valve seat cutter 17-11
guide ring adhesive 17-3

H

handle, battery charger 16-5
hanger, brake cable 4-7, 5-17, 5-21
hardware kit, charger 16-3
hardware, F-terminal 6-11
harness, wire 6-5, 6-9, 13-5, 13-9
head gasket 7-9, 8-9
head, cylinder 8-9
heatsink 16-5
heatsink and rectifier 16-7, 16-9, 16-11
heavy duty bumper 1-3
helical gear 7-13, 8-13, 12-5, 12-7
hill brake rod 4-5
hill brake weld assembly 4-5
hitch, trailer 1-25
hold-down, battery 13-17, 13-19
holder, cup 1-9
hole plug 13-13
hose, air intake 10-15
hose, fuel 10-7, 10-19

hour meter 6-7, 13-23
housing
 2-pin 13-11
 3-pin 13-11, 14-3, 14-5, 14-7
 differential 15-3
 fan 7-5, 8-3
 field coil 6-11
hub 5-15
hub bearing 5-15
hub, synchronizer clutch 12-5
hydraulic brake adjuster 17-7
hydrometer 17-7

I

idle screw assembly 10-9
idler bearing 11-3
idler gear, differential 15-3
ignition coil 8-5
inner frame snubber 7-15, 8-15
input shaft 15-3
insert, synchronizer 12-5
instrument panel 6-7, 13-13
insulated bushing 14-3
insulator gasket 7-9, 8-9, 10-11, 10-25
insulator, carburetor 10-11, 10-25, 14-3
intake pipe 10-11
intake valve 8-9
intermediate shaft 15-3
internal retaining ring pliers 17-7
IQ display module (IQDM) 17-7

J

J-bolt 13-17, 13-19
jet, main 10-9, 10-23
jet, pilot 10-9
joint
 ball 4-5, 4-13, 12-11
 left-hand thread ball 5-9
jounce bumper 5-17, 5-21

K

key
 crankshaft 7-7, 7-13, 8-5, 8-13
 driven clutch 11-7
 On/Off 6-7, 13-13
 square 11-7
 starter/generator 6-11
 woodruff 12-3
key switch 6-7
key switch cap 6-7, 13-13
key switch, On/Off 13-13
kingpin 5-13
kit
 2-pin housing 13-11
 3-pin housing 13-11, 14-3, 14-5, 14-7

accelerator pivot rod 4-9, 4-11
brake cable 4-7
brake pedal 4-5
brake pedal adjustment tool 17-3
clutch repair 11-7
differential gear case 12-7
drive clutch button 11-3
drive clutch weight 11-3
driven clutch button 11-7
IQ display module (IQDM) 17-7
magnet and bearing 14-3
motor brush 14-5, 14-7
motor brush spring 14-5, 14-7
motor cover plate 14-5, 14-7
motor speed sensor 14-5, 14-7
motor terminal hardware 14-5, 14-7
park brake latch 4-5
park brake pedal 4-5
PD3 Cordest, AC 114" 16-3
PD3 Cordest, AC 80" 16-3
PD3 Cordest, DC 113" 16-3
PD3 Cordest, DC 154" 16-3
PD3 Cordest, DC 205" 16-3
PD3 hardware 16-3
shock absorber 5-17, 5-21
shock absorber cushion 5-17, 5-21
tune-up 17-9

kit, taillight mounting 1-21
knob, forward/reverse 12-9, 12-11

L

lash adjuster 8-11
latch plate, tilt bed 1-19
latch weld 1-17
latch, air box 10-15
latch, bed 1-21
latch, park brake 4-5
L-bracket, motor 14-5
leaf spring 5-17, 5-21
legs, charger 16-3
lever
 change 12-3
 choke 10-15, 10-17
light
 battery 13-13
 oil 6-7
limit switch 6-9, 12-9
limiter
 current 16-11
 RPM 8-5
line, fuel 10-7, 10-11, 10-19, 10-25
link, rack and pinion drag 5-9
liquid gasket 12-3, 15-3, 17-7
low oil warning light 6-7
lubricant, dry moly 17-7
lubricant, moly-teflon 14-3, 14-5, 14-7, 17-7

INDEX

lug nut 2-3
lug stud 12-7, 15-3

M

magnet and bearing kit 14-3
magnet, speed sensor 14-3, 14-5, 14-7
main jet 10-9, 10-23
maintenance/operation switch 6-17
mat, floor 1-7
MCOR 13-11
mechanism, brake adjusting 4-3
meter clip 6-7
meter, hour 13-23
meter, volt ohm 17-11
module
 calibration test 17-3
 communication display 17-5
moly-teflon lubricant 17-7
motor
 48-volt 14-3
 48-volt IQ 14-5, 14-7
motor armature 14-3
motor brush 14-3
motor brush kit 14-5, 14-7
motor brush spring kit 14-5, 14-7
motor bumper 14-3, 14-5, 14-7
motor end cap 14-3, 14-5, 14-7
motor end shield 14-3
motor L-bracket 14-5
motor magnet, speed sensor 14-3, 14-5, 14-7
motor speed sensor 14-3, 14-5, 14-7
motor speed sensor kit 14-5, 14-7
motor stator shell and winding 14-3
motor terminal hardware kit 14-5, 14-7
mount, bumper 5-21
mount, fuel pump 10-7
mounting block, brake 4-5
moveable-face 11-3, 11-7
muffler hose clamp 9-3

N

name plate 3-9
needle bearing 12-5
nozzle, main 10-9
nut, lug 2-3

O

OBC 13-9
OBC, onboard computer 13-9
oil filler tube 7-5, 8-3
oil filter 7-3, 8-7
oil filter mount bracket 7-3, 8-7
oil filter screen 7-11, 8-11
oil filter screen plate 7-11, 8-11
oil level sensor 7-11, 8-11

oil level switch bracket 7-11, 8-11
oil pump and rotor 7-3, 8-7
oil pump cover 7-3, 8-7
oil pump filter 7-3, 8-7
oil pump plate 7-3, 8-7
oil seal 7-9, 7-11, 7-13, 8-9, 8-11, 8-13, 12-3, 12-5
oil warning light, low 6-7
onboard computer 13-9
operation/maintenance switch 6-17
O-ring 7-5, 7-9, 7-11, 7-13, 8-3, 8-9, 8-11, 8-13
overload bumper spacer 5-17, 5-21

P

pad
 accelerator pedal 4-9, 4-11
 brake pedal 4-5
 park brake 4-5
paint, touch-up 17-7
panel box 1-21
panel, front 1-21
panel, instrument 6-7, 13-13
panel, side 1-21
park brake latch 4-5
park brake pedal 4-5
park brake rod sleeve 4-5
park brake spacer 4-5
park brake torsion spring 4-5
pawl 4-5
pedal, accelerator 4-9, 4-11
pedal, brake 4-5
pedal, park brake 4-5
pencil grip 5-5
pilot air screw assembly 10-9
pilot jet 10-9
pin, differential 12-7
pin, piston 7-13, 8-13
pinion, steering 5-9, 5-19
pipe, intake 10-11
piston 7-13, 8-13
piston pin 7-13, 8-13
piston ring 7-13, 8-13
piston ring compressor 17-9
piston ring pliers 17-9
piston ring set 7-13, 8-13
pivot arm 12-3
pivot support bearing 4-9, 4-11
plate
 bed floor 1-17
 component mounting 13-9
 cover 14-5, 14-7
 engine mounting 7-15, 8-15
 flywheel fan 7-7, 8-5
 front spring retainer 5-13
 latch 1-19
 name 3-9

oil filter screen 7-11, 8-11
oil pump 7-3, 8-7
receptacle backing 13-15
score card 5-5, 5-7
spring mounting 5-13
steering wheel 5-7
thrust 12-5, 12-7

pliers

internal retaining ring 17-7
piston ring 17-9
retaining ring 17-9

plug

drain 7-3, 8-7
driven clutch puller 17-5
fill 12-3
hole 13-13
spark 8-5

plug cap 7-7, 8-5

plug, carburetor intake manifold 10-25

plug, spark 7-7

pole set 6-11

port, diagnostic 13-13

positioner, choke 10-17

press weldment 17-5

protector spray, battery terminal 17-3

puller

bearing 17-3
clutch 17-3
drive clutch 17-5
drive clutch hub 17-5
driven clutch cam 17-5
flywheel 17-7
seal 17-9
special use tool 17-9

pulley

clutch 11-3
starter-generator 6-11

push rod 7-9, 8-9

R

race, front hub bearing 5-15

rack and pinion drag link 5-9

rack guide pressure spring 5-9, 5-19

rack, steering 5-9, 5-19

ratchet, park brake 4-5

reamer, valve guide 17-9

rear fender 1-27

rear spring shackle 5-17, 5-21

receptacle 13-15

receptacle backing plate 13-15

receptacle, AC cord 16-11

receptacle, battery charger 13-15

rectifier with heatsink 16-7, 16-9, 16-11

regulator, voltage 6-9

relay 16-9, 16-11

relay mounting bracket 16-9

INDEX

- relay, charger board 16-3
- remover, bearing and oil seal 17-3
- resistor assembly 13-9
- retainer
 - accelerator pedal spring 4-9, 4-11
 - bearing 14-3
 - shock absorber cushion 5-17, 5-21
 - spring 5-17, 5-21
 - spring (drive clutch) 11-3
 - valve spring 7-9, 8-9
- retaining ring 5-3
- retaining ring pliers 17-9
- return spring bumper 4-9, 4-11
- reverse buzzer 6-7, 13-13
- rigging, brush 14-3
- rim, wheel, white 2-3
- ring
 - piston 7-13, 8-13
 - retaining 5-3, 6-9, 11-3, 11-7
 - snap 5-9, 5-19, 7-13, 8-9, 8-13
 - spiral backup 11-3
 - synchronizer 12-5
- ring, C-type stop 5-9, 5-19
- ring, piston 7-13, 8-13
- rivet, blind push 1-3, 1-5
- rocker arm 7-9, 8-9
- rocker case 8-9
- rocker case gasket 7-9, 8-9
- rocker shaft 7-9, 8-9
- rocker switch 13-13
- rod
 - accelerator 4-13
 - accelerator pivot 4-9, 4-11
 - connecting 7-13, 8-13
 - crankshaft 7-13, 8-13
 - equalizer 4-7
 - hill brake 4-5
 - push 7-9, 8-9
 - shift 12-5
- rotor, oil pump and 7-3, 8-7
- RPM limiter 8-5
- RPM limiter bracket 8-5
- RPM limiter damper 8-5
- RPM limiter mount band 8-5
- S**
- safety first card 17-9
- score card clip 5-5
- score card plate 5-5
- screen, oil filter 7-11, 8-11
- screw, valve clearance adjuster 17-9
- seal
 - intake 10-15
 - lip 15-3
 - oil 7-9, 7-11, 7-13, 8-9, 8-11, 8-13, 12-3, 12-5, 12-7, 15-3
 - steering pinion dust 5-9, 5-19
 - vertical socket dust 5-9
- seal puller 17-9
- seal, bed 1-15, 1-17
- sealant 12-3, 15-3
- seat
 - spring 7-9, 8-9
 - valve 7-3, 8-7
- seat back 1-13
- seat back assembly 1-13
- seat back cap 1-13
- seat back tube 1-15
- seat back, white 1-13
- seat bottom assembly 1-11
- seat bumper 1-11
- seat cover, vinyl 1-11
- seat strap 1-11
- seat, bearing 5-3
- sending unit, fuel gauge 10-5, 10-21
- sensor, motor speed 14-3, 14-5, 14-7
- sensor, oil level 7-11, 8-11
- sensor, speed 14-3
- set, brush and screw 6-11
- set, pole 6-11
- shackle, rear spring 5-17, 5-21
- shaft
 - change 12-3
 - counterbalance guide 7-13, 8-13
 - input 15-3
 - intermediate 15-3
 - rocker 7-9, 8-9
 - steering column 5-3
 - transmission 12-5
- shield, air duct 10-17
- shift fork 12-5
- shift lever 12-3
- shift rod 12-5
- shifter, FNR 12-9
- shim, camshaft 7-11, 8-11
- shim, crankshaft 7-13, 8-13
- shim, latch plate 1-19
- shim, tilt bed pivot 1-17
- shock absorber 5-11
- shock absorber (rear) 5-17, 5-21
- shock absorber cushion 5-17, 5-21
- shock absorber cushion retainer 5-17, 5-21
- shock mounting bracket 5-17, 5-21
- shoe, brake 4-3
- shroud 7-5, 8-3
- shroud, engine 7-5, 8-3
- shroud, fan 7-5, 8-3
- side panel 1-21
- sleeve
 - delta A-plate 5-11
 - governor 12-5
 - park brake rod 4-5
 - synchronizer 12-5
- snap ring 5-9, 5-19, 7-13, 8-9, 8-13
- snubber bracket 7-15, 8-15
- snubber, inner frame 7-15, 8-15
- socket 5-9
- solenoid 13-9
- solenoid, 12-volt 6-9
- spacer
 - accelerator pivot rod 4-9, 4-11
 - overload bumper 5-17, 5-21
 - park brake 4-5
- spanner wrench 17-9
- spark plug 7-7, 8-5
- speed controller cover 13-9
- speed sensor 14-3, 14-5, 14-7
- speed sensor magnet 14-3, 14-5, 14-7
- speed sensor, motor 14-3, 14-5, 14-7
- spindle 5-15
- spiral backup ring 11-3
- splash guard 10-3
- spray, battery terminal protector 17-3
- spring
 - accelerator return 4-9, 4-11
 - brake return 4-7
 - brush 6-11, 14-3, 14-5, 14-7
 - compression 5-5, 10-17
 - drive button 11-3
 - drive clutch 11-3
 - driven clutch 11-7
 - extension return 10-15
 - latch tilt 1-21
 - leaf 5-17, 5-21
 - park brake torsion 4-5
 - rack guide pressure 5-9, 5-19
 - shifter 12-5
 - steering shaft compression 5-3
 - synchronizer 12-5
 - throttle return 10-11, 10-25
 - valve 7-9, 8-9
- spring cup 4-9, 4-11
- spring mounting plate 5-13
- spring retainer 5-17, 5-21
- spur gear 7-13, 8-13, 12-5
- stand-offs, plastic 16-3
- starter/generator 6-11
- starter/generator belt 6-13, 11-3
- starter/generator pulley 6-11
- stator shell and winding 14-3
- steel bushing 1-17, 5-13, 5-17, 5-21
- steel pressure relief ball 7-3, 8-7
- steering column 5-3
- steering column bearing press tool 17-9
- steering column retaining ring tool 17-9
- steering gear box 5-9, 5-19
- steering pinion 5-9, 5-19
- steering pinion dust seal 5-9, 5-19

INDEX

steering rack 5-9, 5-19
steering shaft assembly 5-3
steering shaft compression spring 5-3
steering wheel 5-5, 5-7
steering wheel plate 5-7
steering wheel puller tool 17-9
stem, valve 2-3
stiffener 1-11
stiffener, flywheel side 7-15, 8-15
stiffener, PTO side 7-15, 8-15
strap, A-plate 5-11
strap, fuel tank 10-7, 10-19
strap, seat 1-11
stud 7-15, 8-15
 lug 12-7, 15-3
 self-clinching 1-23
stud, ball 6-9, 12-3
support yoke (steering) 5-9, 5-19
suppressor, voltage 16-7, 16-9, 16-11
suspension, front 5-11
switch
 four-position 16-9, 16-11
 key 6-7, 13-13
 limit 6-9, 12-9
 rocker 13-13
 Tow/Run 13-21
switch rubber boot 6-17, 13-21
switch, operation/maintenance 6-17
switch, toggle 6-17
synchro gear 12-5
synchronizer clutch hub 12-5
synchronizer insert 12-5
synchronizer sleeve 12-5
synchronizer spring 12-5
system, exhaust 9-3

T

12-volt solenoid 6-9
tachometer 17-9
tachometer probe, diesel 17-9
tailgate 1-21
tailgate angle 1-23
taillight mounting kit 1-21
taillight skirt 1-27
tank, fuel 10-5
tape 10-17
tape, vinyl foam 1-17
tappet 7-11
tester, continuity 17-5
thermometer, battery 17-3
thread-forming grease fitting 5-9, 5-15
throttle return spring 10-11, 10-25
throttle spring return bracket 10-11, 10-25
thrust bearing 5-13
thrust plate 12-5, 12-7
tie rod end 5-11

tie wrap 5-9, 5-19, 6-9, 10-19, 13-9
tilt bed 1-17
tilt latch hand grip 1-17, 1-21
tire 2-3
tire and wheel assembly 2-3
toggle switch 6-17
tool
 accelerator pedal adjustment 17-3
 belt tensioning, starter/generator 17-11
 brake adjustment 17-3
 brake cable release 17-3
 brake pedal adjustment 17-3
 brake pedal tension 17-3
 cam installation 17-3
 carburetor float level 17-7
 charger bezel 17-3
 clutch alignment 17-5
 cT-wrench 17-5
 drive clutch fixed sheave 17-5
 drive clutch holder 17-5
 drive clutch spider removal 17-5
 driven clutch spring compression base 17-5
 driven clutch spring compression collar 17-5
 driven clutch spring compression nut 17-5
 governor shaft installation 17-7
 puller, special use 17-9
 steering column bearing press 17-9
 steering column retaining ring 17-9
 steering wheel puller 17-9
 transaxle axle seal 17-9
 transaxle pinion seal 17-9
 transmission 17-9
 valve guide driver 17-9
 valve seat cutter 17-5
tool kit, clutch 17-5
touch-up paint 17-7
Tow/Run switch 13-21
Tow/Run switch bracket 6-17, 13-21
trailer hitch 1-25
trailer hitch brace 1-25
transaxle 15-3
transaxle axle seal tool 17-9
transaxle housing 15-3
transaxle pinion seal tool 17-9
transaxle, unitized 12-3
transformer, battery charger 16-5, 16-7, 16-9, 16-11
transmission shaft 12-5
transmission tool 17-9
trim
 cowl 1-3, 1-5
 seat bottom 1-15
tube
 crankcase vent 10-11, 10-25

fuel pickup 10-5
oil filler 7-5, 8-3
seat back 1-15
tune-up kit 17-9
T-wrench tool 17-5

U

U-bolt 5-17, 5-21
unitized transaxle 12-3
upper delta clevis 5-13
urethane bushing 1-17, 5-11, 5-13, 5-17, 5-21

V

valve
 choke 10-15
 exhaust 7-9, 8-9
 intake 8-9
 reed 7-9, 8-9
valve clearance adjuster screw 17-9
valve guide 8-9
valve guide driver tool 17-9
valve guide reamer 17-9
valve guide, intake 8-9
valve seat 7-3, 8-7
valve seat cutter 17-5, 17-11
valve seat cutter guide 17-11
valve seat cutter tool 17-5
valve seat t-wrench 17-11
valve spring 7-9, 8-9
valve spring compressor 17-11
valve spring retainer 7-9, 8-9
valve stem 2-3
vent barb 10-7
vent, fuel tank, w/ valve 10-21
vertical socket dust seal 5-9
volt ohm meter 17-11
voltage regulator 6-9
voltage suppressor 16-7, 16-9, 16-11

W

warning light, low oil 6-7
wedge, bearing puller 17-3
weight
 clutch 11-3
 counterbalance 7-13, 8-13
 secondary clutch 11-3
weldment
 press 17-5
wheel 2-3
wheel and tire assembly 2-3
wheel rim, white 2-3
wheel, steering 5-5, 5-7
wire harness 6-5, 6-9, 13-5, 13-9
woodruff key 12-3
wrap, tie 5-9, 5-19, 6-9, 10-19, 13-9

INDEX

wrench, spanner 17-9

Y

yoke, gear 17-7

yoke, support (steering) 5-9, 5-19



Club Car, Inc.
P.O. Box 204658
Augusta, GA 30917-4658
USA

Web www.clubcar.com
Phone 1.706.863.3000
1.800.ClubCar
Int'l +1 706.863.3000
Fax 1.706.863.5808