

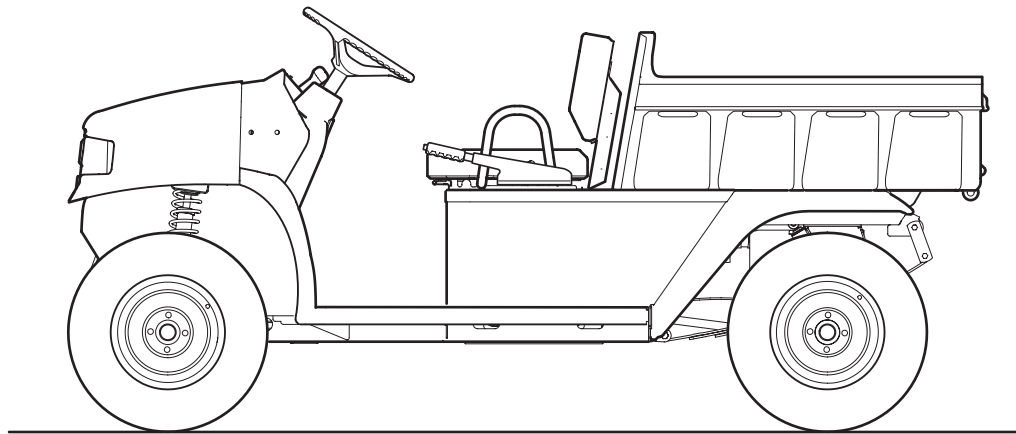
605271



A Textron Company



SERVICE PARTS MANUAL



GASOLINE POWERED UTILITY VEHICLE

ISSUE DATE : MAY 2006

SERVICE PARTS MANUAL

GASOLINE POWERED UTILITY VEHICLES

E-Z-GO ST 4X4

STARTING MODEL YEAR 2006+

E-Z-GO Division of TEXTRON, Inc. reserves the right to make design changes without obligation to make these changes on units previously sold and the information contained in this manual is subject to change without notice.

E-Z-GO Division of TEXTRON, Inc. is not liable for errors in this manual or for incidental or consequential damages that result from the use of the material in this manual.

CUSTOMER SERVICE DEPARTMENT IN USA PHONE: 1-800-241-5855 FAX: 1-800-448-8124

OUTSIDE USA PHONE: 001-706-798-4311, FAX: 001-706-771-4609

E-Z-GO DIVISION OF TEXTRON, INC., P.O.BOX 388, AUGUSTA, GEORGIA USA 30906-3852

NOTES

To obtain a copy of the limited warranty applicable to the vehicle, call or write a local Distributor, authorized Branch or the Warranty Department with vehicle serial number and manufacturer code.

The use of non Original Equipment Manufacturer (OEM) parts may void the warranty.

Tampering with or adjusting the governor to permit vehicle to operate at above factory specifications will void the vehicle warranty.

When servicing engines, all adjustments and replacement components must be per original vehicle specifications in order to maintain the United States of America Federal and State emission certification applicable at the time of manufacture.

BATTERY PROLONGED STORAGE

All batteries will self discharge over time. The rate of self discharge varies depending on the ambient temperature and the age and condition of the batteries.

A fully charged battery will not freeze in winter temperatures unless the temperature falls below -75° F (-60° C).

TABLE OF CONTENTS

SECTION	Page No.
HOW TO USE THE SERVICE PARTS MANUAL	v
ILLUSTRATED PARTS BREAKDOWN	vii
ACCELERATOR	A-1
AIR FILTER	B-1
BODY - FRONT	C-1
BODY - MID	C-5
BODY - REAR	C-7
ROPS AND CAB	C-9
BRAKES	D-1
BRAKES - PARK	E-1
DIRECTION AND DRIVE SELECTOR	F-1
DRIVETRAIN - FRONT	G-1
DRIVETRAIN - MID	G-7
DRIVETRAIN - REAR	G-11
DRIVETRAIN - TRANSMISSION	G-17
ELECTRICAL	H-1
EXHAUST	J-1
FRONT SUSPENSION	K-1
FUEL SYSTEM	L-1
HITCH	M-1
REAR SUSPENSION	N-1
SEATING	P-1
STEERING	Q-1
TRUCK BED	R-1
WHEELS & TIRES	S-1
SPECIALTY PRODUCTS	APPENDIX A-1
OPTIONS/ACCESSORIES	APPENDIX B-1

TABLE OF CONTENTS

HOW TO USE THE SERVICE PARTS MANUAL

This manual is divided into several sections:

GENERAL INFORMATION

- TABLE OF CONTENTS
- HOW TO USE THE SERVICE PARTS MANUAL

ILLUSTRATED PARTS BREAKDOWN

- Contains illustrations and parts lists for all systems of the vehicle

APPENDIX

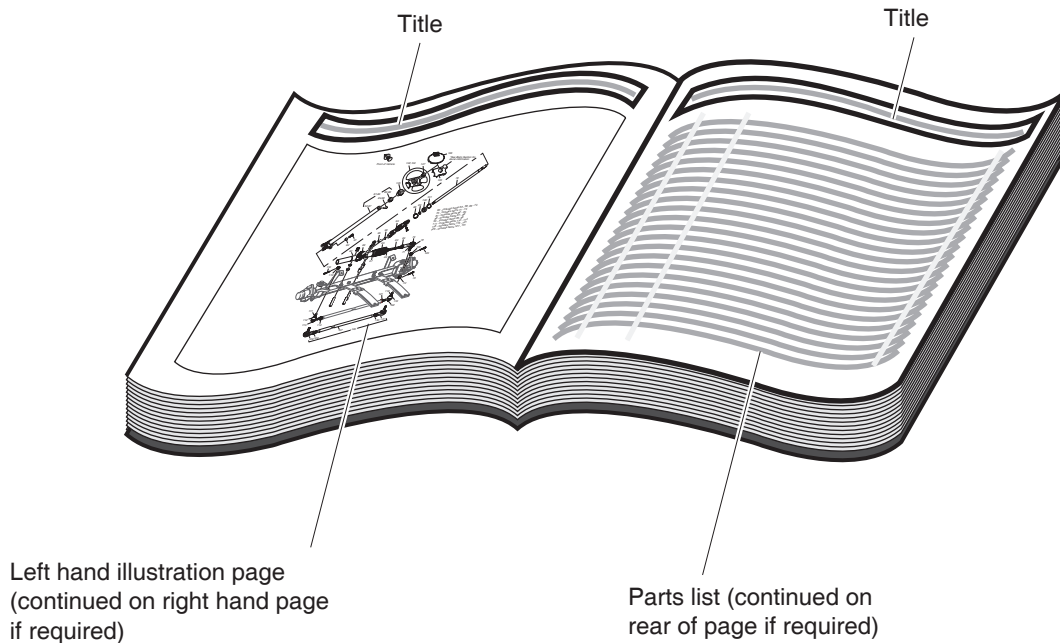
- Contains a listing of specialty products and options/accessories

USE OF THE MANUAL

To use this manual, consult the TABLE OF CONTENTS (page iii) to locate the information or illustration required.

Introduction of some revisions varies due to supply of components; therefore, it is possible that various combinations of components may be found that are not directly reflected by each illustration. Consult the illustration that best suits your situation. Locate the serial number plate (see BODY located in the Illustrated Parts Breakdown section of this manual for its location) and note the complete number shown on the plate. It is important that the serial number of your vehicle and its model number be supplied to Service Parts when ordering any replacement components.

HOW TO USE THE SERVICE PARTS MANUAL



1. WHEN THE PART NUMBER IS NOT KNOWN

- Determine the function and application of the part required. Turn to the INDEX OF MAJOR COMPONENTS and select the most appropriate component description.
- Turn to the page number indicated and locate the part description in the parts list. Read the full accompanying description for specific information regarding the part that was not shown in the index.
- From the parts list, obtain the item number assigned to it and confirm that the part selected is correct by verifying it with the pictorial representation on the illustrated page.

2. IF YOU KNOW THE PART NUMBER

- Use the INDEX OF MAJOR COMPONENTS to find the page(s) the part number appears on.
- Turn to the page number indicated and locate the part number in the parts list. Refer to the accompanying description for specific information regarding the part.
- From the parts list, obtain the item number assigned to it and confirm that the part selected is correct by verifying it with the pictorial representation on the illustrated page.

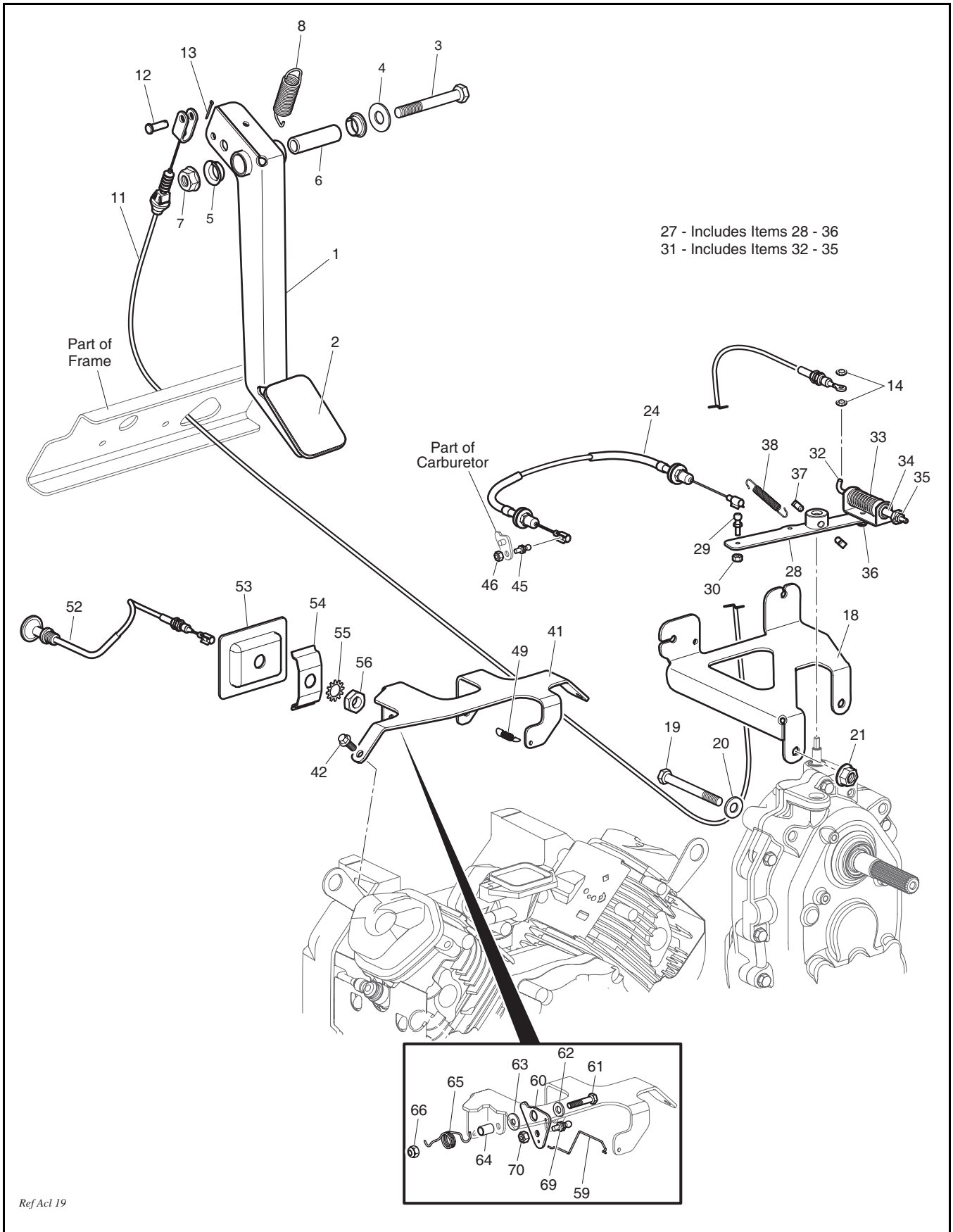
Should an asterisk (*) appear in the part number column on the parts list page, read upwards until a part number is found. The part number is the lowest assembly sold by Service Parts. The asterisk (*) indicates that the part depicted is not available for purchase.

NOTE: Descriptions are indented under the assembly that they are used on. That assembly is, in turn listed under the assembly that it is used on. This process is repeated until the highest final assembly is reached.

To facilitate the maintenance and repair of the vehicle, a Technician's Repair and Service Manual is available from the Service Parts Department.

ILLUSTRATED PARTS BREAKDOWN

ACCELERATOR



ACCLERATOR

Where applicable, THE USE OF NON UL PARTS WILL VOID ANY UL LISTING.

When ordering parts, please specify the model and serial number of the product.

* Indicates a component that is not available as an individual part.

G** Indicates consult Customer Service Department for additional information.

ITEM	PART NO.	1 2 3 4 5	DESCRIPTION	QTY.
1	73999-G01		ACCELERATOR PEDAL.....	1
2	73547-G01		PEDAL PAD	1
3	311398		SCREW, 1/2 - 13 X 3 1/2	1
4	00643-G3		WASHER, 1/2"	1
5	73995-G01		BUSHING	2
6	73993-G01		INNER PIVOT TUBE	1
7	800700		LOCK NUT, 1/2 - 13	1
8	73813-G01		EXTENSION SPRING.....	1
9				
10				
11	73699-G01		ACCELERATOR CABLE.....	1
12	10386-G3		CLEVIS PIN, 5/16" X 13/16" LG.....	1
13	10387-G3		COTTER PIN, 3/32" X 3/4" LG.....	1
14	12064-G3		PUSH NUT, 3/16"	2
15				
16				
17				
18	73720-G01		ACCELERATOR AND GOVERNOR CABLE BRACKET	1
19	311391		SCREW, 3/8 - 16 X 4	2
20	00643-G1		WASHER, 3/8"	1
21	800698		LOCK NUT, 3/8 - 16	2
22				
23				
24	73820-G01		GOVERNOR CABLE.....	1
25				
26				
27	73719-G01		GOVERNOR LEVER ASSEMBLY (INCLUDES ITEMS 28 - 36)	1
28	73718-G01		GOVERNOR LEVER	1
29	15944-G1		BALL JOINT.....	1
30	00734-G5		LOCK NUT, #10 - 32.....	1

ACCELERATOR

Where applicable, THE USE OF NON UL PARTS WILL VOID ANY UL LISTING.

When ordering parts, please specify the model and serial number of the product.

* Indicates a component that is not available as an individual part.

G** Indicates consult Customer Service Department for additional information.

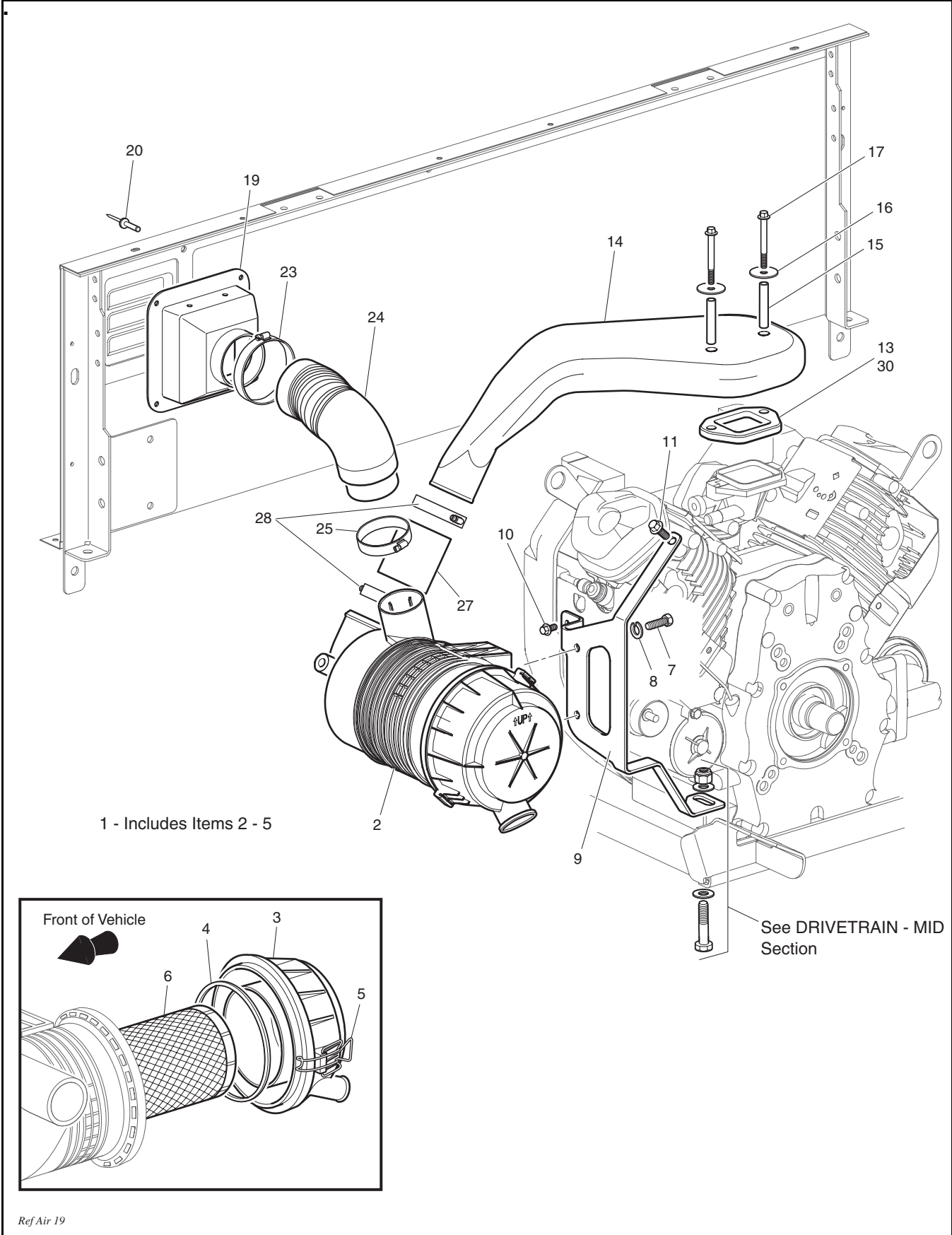
ITEM	PART NO.	1 2 3 4 5	DESCRIPTION	QTY.
31	22751-G2		GOVERNOR BRACKET ASSEMBLY (INCLUDES ITEMS 32 - 35).....	1
32	25274-G1		GOVERNOR ROD	1
33	23578-G1		COMPRESSION SPRING.....	1
34	23859-G1		GOVERNOR ADJUSTER	11
35	00526-G4		NUT, #10 - 32.....	1
36	14390-G4		LOCK NUT, 1/4 - 20.....	1
37	00491-G4		SETSCREW, 1/4 - 20 X 1/2" LG	2
38	25738-G01		SPRING.....	1
39				
40				
41	73571-G01		GOVERNOR CABLE AND CHOKE BRACKET	1
42	73875-G01		BOLT, M8 - 1.25 X 20MM LG.....	2
43				
44				
45	73722-G01		BALL STUD.....	1
46	00734-G5		LOCK NUT, #10 -32	1
47				
48				
49	73862-G01		EXTENSION SPRING.....	1
50				
51				
52	73566-G01		CHOKE CABLE.....	1
53	72154-G01		CHOKE CABLE ADAPTER.....	1
54	72155-G02		ADAPTER RETAINER	1
55	00568-G4		LOCK WASHER, 9/16".....	1
56	00545-G4		JAM NUT, 9/16 - 18.....	1
57				
58				
59	72943-G01		CHOKE LINKAGE	1
60	73570-G01		CHOKE PIVOT PLATE	1

ACCLERATOR

Where applicable, THE USE OF NON UL PARTS WILL VOID ANY UL LISTING.
 When ordering parts, please specify the model and serial number of the product.
 * Indicates a component that is not available as an individual part.
 G** Indicates consult Customer Service Department for additional information.

ITEM	PART NO.	1 2 3 4 5	DESCRIPTION	QTY.
61	00415-G2		BOLT, 1/4 - 20 X 1 1/4" LG	1
62	00559-G7		WASHER , 1/4"	1
63	75677-G01		BUSHING	1
64	23726-G7		SPACER, 9/16"	1
65	23577-G1		TORSION SPRING	1
66	14390-G4		LOCK NUT, 1/4 - 20	1
67				
68				
69	73745-G01		BALL STUD	1
70	00734-G2		LOCK NUT, 1/4 - 28	1

AIR FILTER



AIR FILTER

Where applicable, THE USE OF NON UL PARTS WILL VOID ANY UL LISTING.

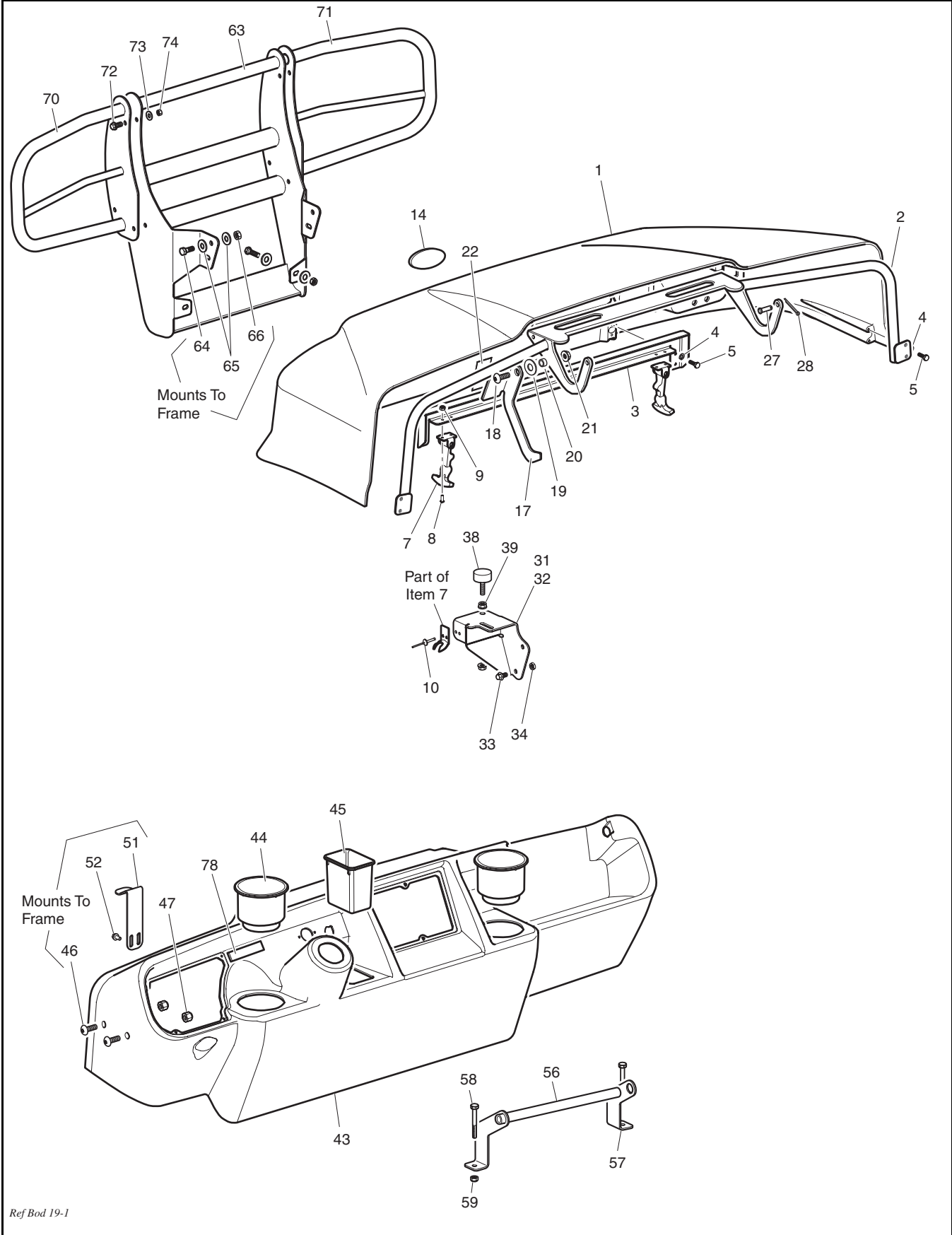
When ordering parts, please specify the model and serial number of the product.

* Indicates a component that is not available as an individual part.

G** Indicates consult Customer Service Department for additional information.

ITEM	PART NO.	1 2 3 4 5	DESCRIPTION	QTY.
1	73654-G01		AIR CLEANER CANISTER ASSEMBLY (INCLUDES ITEMS 2 - 5)	1
2	*		AIR CLEANER CANISTER.....	1
3	72997-G01		AIR CLEANER COVER	1
4	72998-G01		AIR CLEANER O-RING	1
5	*		AIR CLEANER LATCH	2
6	72987-G01		AIR CLEANER ELEMENT	1
7	01055-G01		SCREW, M8-1.25 X 30MM LG.....	2
8	450411		LOCK WASHER, M8.....	2
9	73713-G01		AIR FILTER BRACKET	1
10	73876-G01		BOLT, M6 -1.00 x 12MM LG	1
11	73875-G01		BOLT, M8 -1.25 x 20MM LG	1
12				
13	73695-G01		AIR INTAKE PLENUM TO CARBURETOR SEAL.....	1
14	73694-G01		AIR INTAKE PLENUM	1
15	73711-G01		SPACER.....	2
16	16469-G1		WASHER, 1/4"	2
17	73715-G01		BOLT, M6 -1.00 x 60MM LG	2
18				
19	73574-G01		REMOTE AIR INTAKE	1
20	71055-G01		RIVET, 3/16" X 1" LG (ALUMINUM)	4
21				
22				
23	11391-G2		HOSE CLAMP, 2 1/16".....	1
24	73714-G01		HOSE (CONVOLUTED).....	1
25	11391-G7		HOSE CLAMP, 1 9/16".....	1
26				
27	73712-G01		HOSE (AIR FILTER TO PLENUM)	1
28	11391-G7		HOSE CLAMP, 1 9/16".....	2
29				
30	70999-G01		SEALANT	A/R

BODY - FRONT



Ref Bod 19-1

BODY - FRONT

Where applicable, THE USE OF NON UL PARTS WILL VOID ANY UL LISTING.

When ordering parts, please specify the model and serial number of the product.

* Indicates a component that is not available as an individual part.

G** Indicates consult Customer Service Department for additional information.

ITEM	PART NO.	1 2 3 4 5	DESCRIPTION	QTY.
1	72841-G**		COWL.....	1
2	73586-G01		COWL FRAME	1
3	73583-G01		FRONT COWL BRACKET	1
4	00565-G5		LOCK WASHER, #10.....	12
5	73640-G01		SCREW, #10 - 16 X 3/4"	12
6				
7	73639-G01		HOOD LATCH.....	2
8	00379-G4		SCREW, #10 - 24 X 1/2" LG	4
9	14390-G10		LOCK NUT, #10 - 24	4
10	14601-G9		RIVET, 3/16" X 9/16" LG (STAINLESS STEEL)	4
11				
12				
13				
14	74813-G01		LABEL(EZGO).....	1
15				
16				
17	73496-G01		COWL LATCH.....	1
18	73653-G01		SCREW, TORX, 3/8 - 16 X 1 1/8" LG	1
19	00771-G4		NYLON WASHER, 1/2"	1
20	23726-G4		SPACER, 5/16"	1
21	800698		LOCK NUT, 3/8 - 16	1
22	72939-G01		LABEL (LATCH WARNING).....	1
23				
24				
25				
26				
27	17651-G2		CLEVIS PIN, 5/16" X 1 1/8" LG.....	2
28	10387-G3		COTTER PIN, 3/32" X 3/4" LG.....	2
29				
30				

BODY - FRONT

Where applicable, THE USE OF NON UL PARTS WILL VOID ANY UL LISTING.

When ordering parts, please specify the model and serial number of the product.

* Indicates a component that is not available as an individual part.

G** Indicates consult Customer Service Department for additional information.

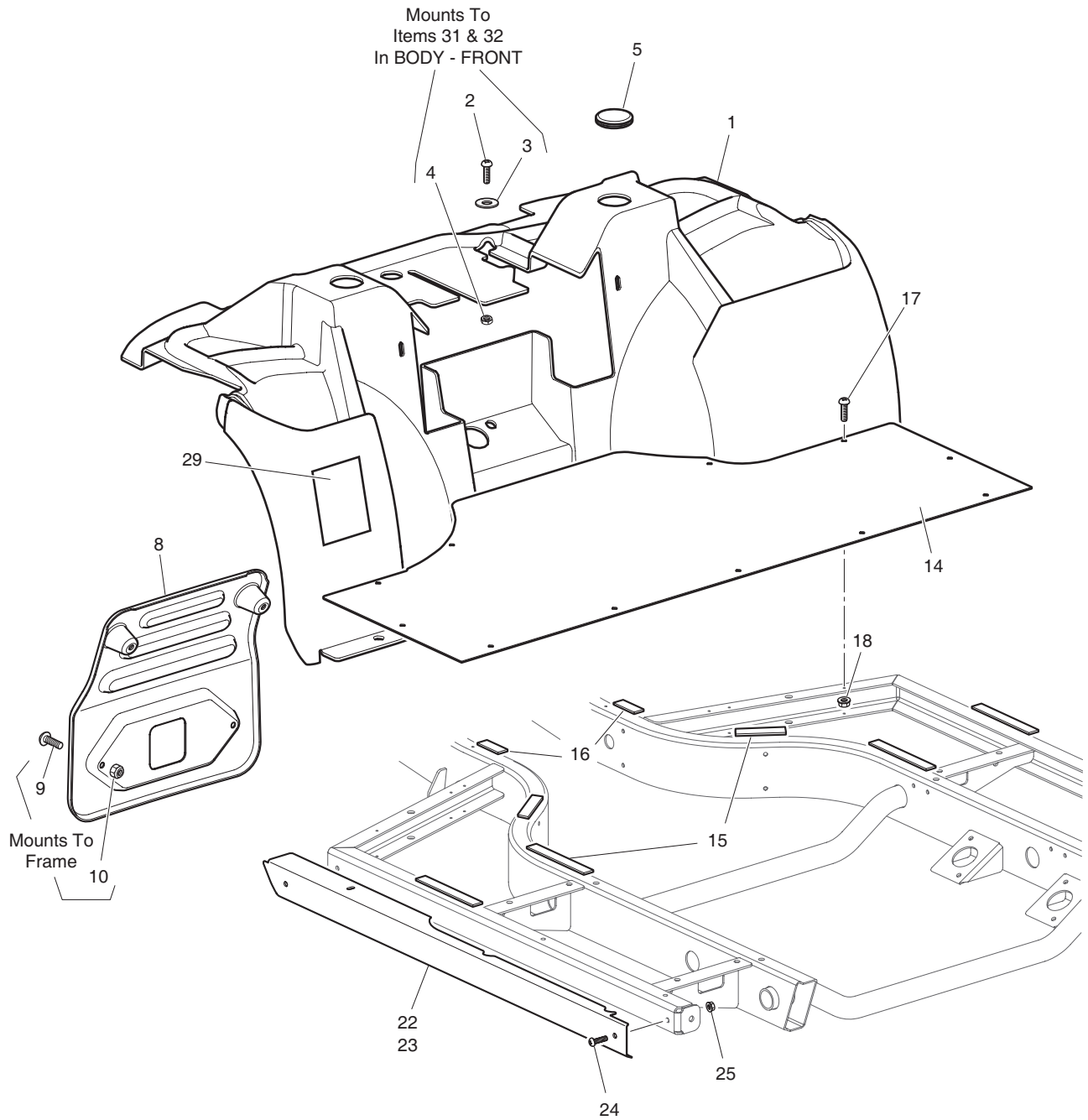
ITEM	PART NO.	1 2 3 4 5	DESCRIPTION	QTY.
31	73585-G01		COWL SUPPORT BRACKET (DRIVER SIDE)	1
32	73585-G02		COWL SUPPORT BRACKET (PASSENGER SIDE)	1
33	13437-G3		LOCK SCREW, 5/16 - 18 X 1" LG.....	4
34	800697		LOCK NUT, 5/16 - 18	4
35				
36				
37				
38	70113-G01		ADJUSTABLE BUMPER.....	2
39	11027-G1		LOCK NUT, 5/16 - 18	4
40				
41				
42				
43	72842-G01		INSTRUMENT PANEL	1
44	73638-G01		CUP HOLDER.....	2
45	73726-G01		HAND RADIO HOLDER.....	1
46	73653-G01		SCREW, TORX, 3/8 - 16 X 1 1/8" LG	4
47	11098-G5		LOCK NUT, 3/8 - 16	4
48				
49				
50				
51	73597-G01		INSTRUMENT PANEL SUPPORT BRACKET.....	2
52	71102-G02		BOLT, 1/4 - 20 X 1/2" LG	4
53				
54				
55				
56	73736-G01		HAND RAIL	1
57	73735-G01		HAND RAIL MOUNT	1
58	00440-G4		BOLT, 5/16 - 18 X 2 1/2" LG	2
59	800697		LOCK NUT, 5/16 - 18	2
60				

BODY - FRONT

Where applicable, THE USE OF NON UL PARTS WILL VOID ANY UL LISTING.
 When ordering parts, please specify the model and serial number of the product.
 * Indicates a component that is not available as an individual part.
 G** Indicates consult Customer Service Department for additional information.

ITEM	PART NO.	1 2 3 4 5	DESCRIPTION	QTY.
61				
62				
63	74973-G01		BRUSH GUARD.....	1
64	00463-G4		BOLT, 7/16 - 14 X 1 1/2" LG	6
65	00643-G3		WASHER, 1/2"	12
66	00734-G1		LOCK NUT, 7/16 - 14	6
67				
68				
69				
70	74978-G01		BRUSH GUARD SIDE (DRIVER SIDE)	1
71	74978-G02		BRUSH GUARD SIDE (PASSENGER SIDE)	1
72	13437-G4		LOCK SCREW, 3/8 - 16 X 1" LG.....	8
73	00571-G2		WASHER, 5/16"	8
74	11098-G5		LOCK NUT, 3/8 - 16	8
75				
76				
77				
78	29187-G01		LABEL (COLD STARTING).....	1

BODY - MID



Ref Bod 19-2

Where applicable, THE USE OF NON UL PARTS WILL VOID ANY UL LISTING.

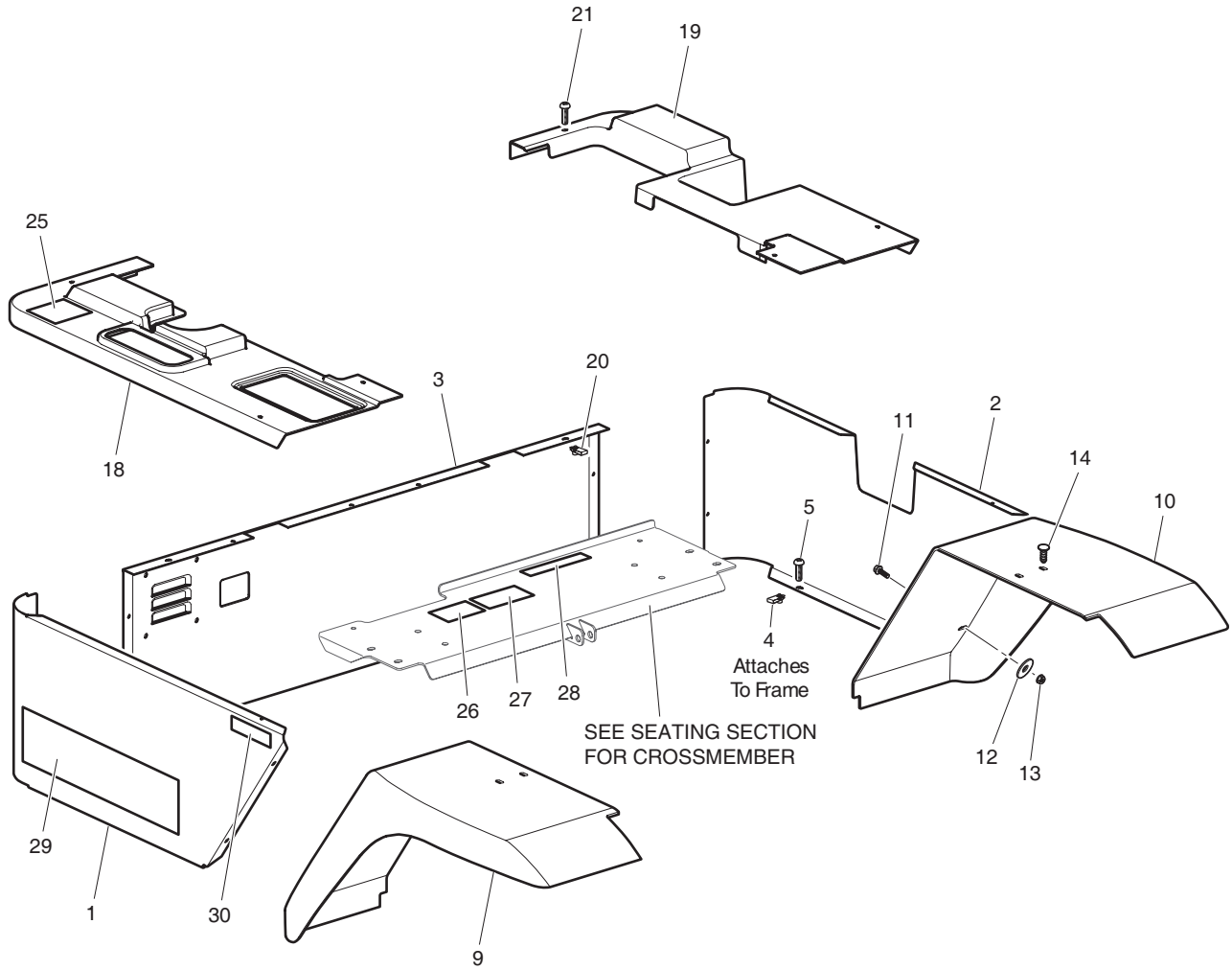
When ordering parts, please specify the model and serial number of the product.

* Indicates a component that is not available as an individual part.

G** Indicates consult Customer Service Department for additional information.

ITEM	PART NO.	1 2 3 4 5	DESCRIPTION	QTY.
1	73608-G01		FRONT FENDER WELL	1
2	600610		SCREW, TORX, 1/4 - 20 X 1" LG (STAINLESS STEEL).....	2
3	00642-G8		WASHER, 5/16"	2
4	800706		LOCK NUT, 1/4 - 20	2
5	35643-G01		HOLE PLUG.....	2
6				
7				
8	72940-G01		FRONT VALANCE	1
9	73653-G01		BOLT, 3/8 - 16 X 1 1/8"	4
10	11098-G5		LOCK NUT, 3/8 - 16	4
11				
12				
13				
14	73833-G01		FLOORPAN.....	1
15	14382-G4		NOISE SUPPRESSION STRIP, 6"	6
16	14382-G7		NOISE SUPPRESSION STRIP, 2"	2
17	600610		SCREW, TORX, 1/4 - 20 X 1" LG (STAINLESS STEEL).....	11
18	800706		LOCK NUT, 1/4 - 20	11
19				
20				
21				
22	73599-G01		ROCKER PANEL (DRIVER SIDE).....	1
23	73599-G02		ROCKER PANEL (PASSENGER SIDE)	1
24	600610		SCREW, TORX, 1/4 - 20 X 1" LG (STAINLESS STEEL).....	4
25	800706		LOCK NUT, 1/4 - 20	4
26				
27				
28				
29	73771-G01		LABEL (WARNING)	1

BODY - REAR



Ref Pnd 19-3

BODY - REAR

Where applicable, THE USE OF NON UL PARTS WILL VOID ANY UL LISTING.

When ordering parts, please specify the model and serial number of the product.

* Indicates a component that is not available as an individual part.

G** Indicates consult Customer Service Department for additional information.

ITEM	PART NO.	1 2 3 4 5	DESCRIPTION	QTY.
1	73641-G**		LOWER SIDE PANEL (DRIVER SIDE).....	1
2	73641-G**		LOWER SIDE PANEL (PASSENGER SIDE).....	1
3	73642-G**		SEAT SUPPORT PANEL.....	1
4	600609		LOCKING RETAINER NUT ('J' TYPE), 1/4 -20	9
5	600610		SCREW, TORX, 1/4 - 20 X 1" LG (STAINLESS STEEL).....	9
6				
7				
8				
9	600417-G01		REAR FENDER (DRIVER SIDE)	1
10	600417-G02		REAR FENDER (PASSENGER SIDE)	1
11	13437-G9		LOCK SCREW, 1/4 - 20 X 3/4" LG.....	4
12	16469-G1		WASHER, 1/4"	4
13	800706		LOCK NUT, 1/4 - 20	4
14	16816-G2		RATCHET FASTENER, 1/4" X 3/4" LG	4
15				
16				
17				
18	73819-G01		SEAT PANEL (DRIVER SIDE).....	1
19	73818-G01		SEAT PANEL (PASSENGER SIDE)	1
20	600609		LOCKING RETAINER NUT ('J' TYPE), 1/4 -20	6
21	600610		SCREW,1/4 - 20 X 1" LG (STAINLESS STEEL).....	6
22				
23				
24				
25	73769-G01		LABEL (PARK BRAKE).....	1
26	75696-G01		LABEL (HOT EXHAUST)	1
27	74093-G01		LABEL (WARNING)	1
28	24880-G1		LABEL (GOVERNOR WARNING)	1
29	600819		LABEL (ST 4X4).....	2
30	74099-G01		LABEL (TILT WARNING PICTOGRAM)	2

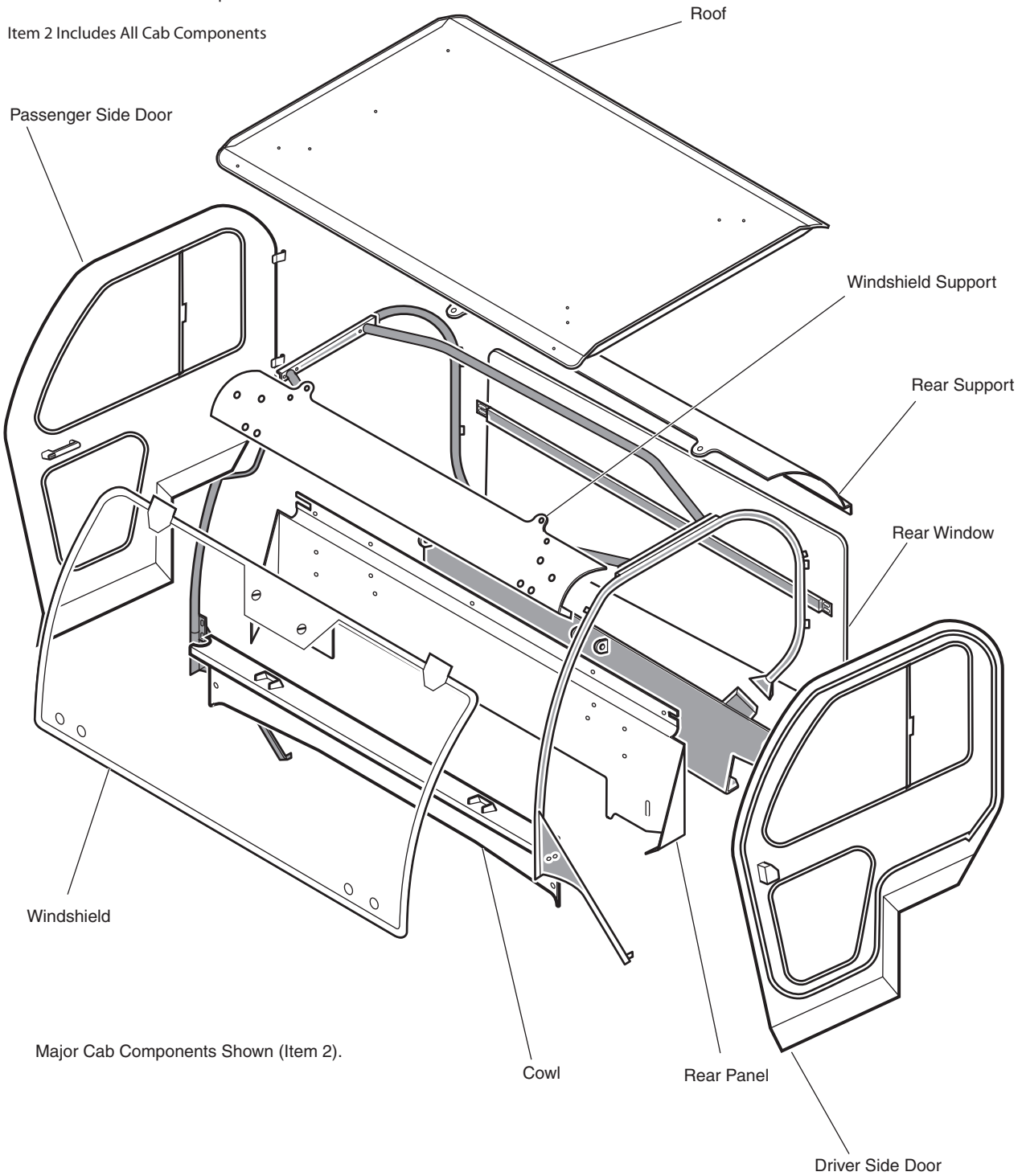
ROPS AND CAB



Components indicated in gray are part of the ROPS unit (Item 1).
Damage to any component of the ROPS will require replacement of entire unit

Item 1 Includes All ROPS Components

Item 2 Includes All Cab Components

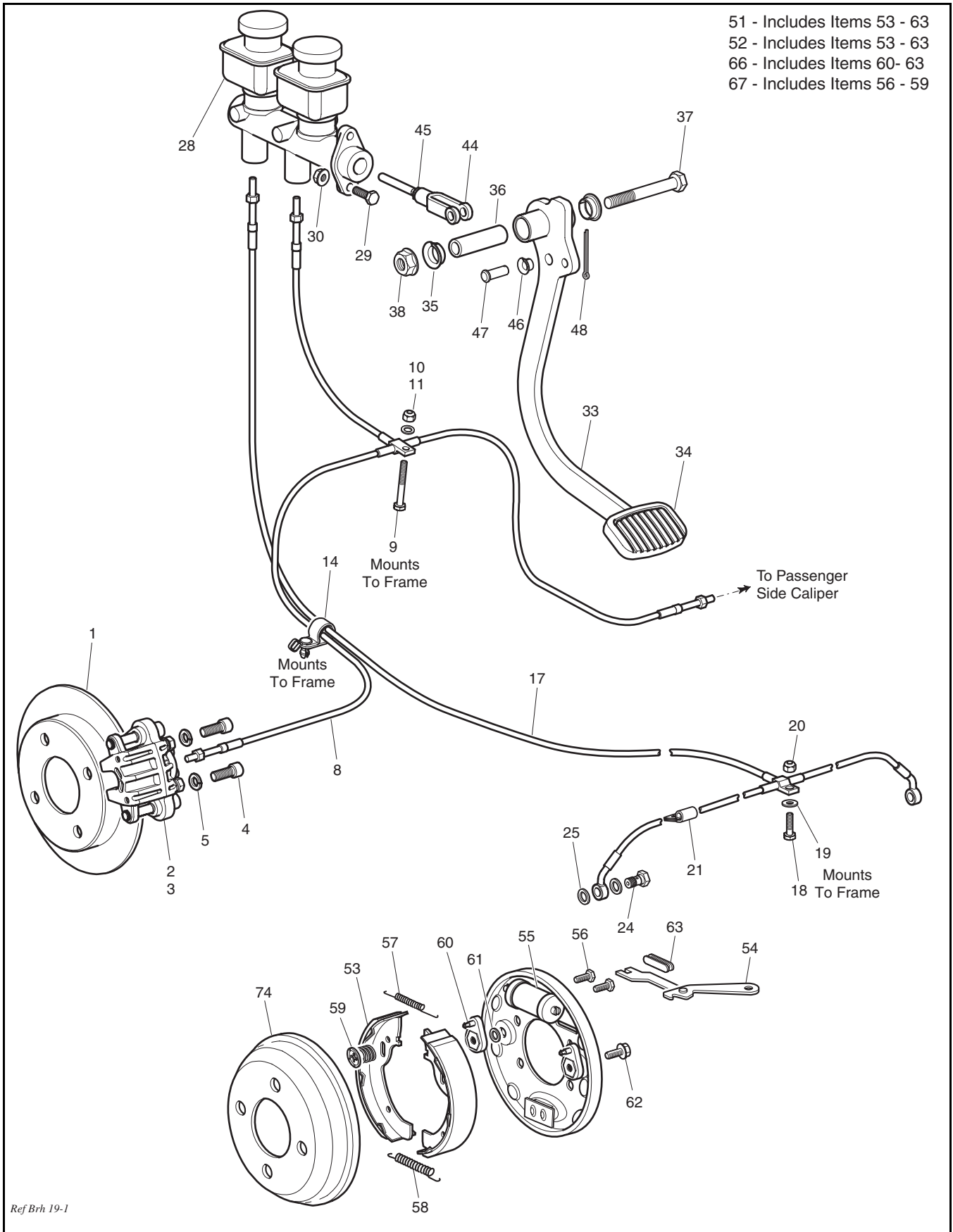


ROPS AND CAB

Where applicable, THE USE OF NON UL PARTS WILL VOID ANY UL LISTING.
 When ordering parts, please specify the model and serial number of the product.
 * Indicates a component that is not available as an individual part.
 G** Indicates consult Customer Service Department for additional information.

ITEM	PART NO.	1 2 3 4 5	DESCRIPTION	QTY.
1	600895		ROPS UNIT. (INCLUDES ALL ITEMS IN GRAY AND REQUIRED HARDWARE)	1
2	600917		CAB (REQUIRES INSTALLATION OF ROPS UNIT). (INCLUDES ALL MAJOR ITEMS SHOWN, WINDSHIELD WIPER & MOTOR ALL WEATHER STRIPPING AND MOUNTING HARDWARE) INDIVIDUAL REPLACEMENT PARTS OF ROPS ARE NOT AVAILABLE. IN CASE OF DAMAGE, ENTIRE UNIT MUST BE REPLACED. CAB COMPONENTS CAN BE PURCHASED BY CONTACTING: CURTIS TRACTOR CAB, INC. 111, HIGGINS STREET WORCESTER, MA 01606 1-800-343-7676	1

BRAKES



Ref Brh 19-1

Where applicable, THE USE OF NON UL PARTS WILL VOID ANY UL LISTING.

When ordering parts, please specify the model and serial number of the product.

* Indicates a component that is not available as an individual part.

G** Indicates consult Customer Service Department for additional information.

ITEM	PART NO.	1 2 3 4 5	DESCRIPTION	QTY.
1	73625-G01		ROTOR	2
2	73790-G01		CALIPER (INCLUDES ITEM 3).....	2
3	72935-G01		BRAKE PADS (SET OF 4).....	1
4	73972-G01		BOLT, 3/8 -24 x 1" LG	4
5	00878-G1		LOCK WASHER, 3/8".....	4
6				
7				
8	73791-G01		FRONT BRAKE LINE.....	1
9	00414-G8		BOLT, 1/4 - 20 X 2" LG	1
10	00559-G7		WASHER , 1/4"	1
11	14390-G4		LOCK NUT, 1/4 - 20	1
12				
13				
14	73864-G02		CLAMP, 3/4"	10
15				
16				
17	73800-G01		REAR BRAKE LINE	1
18	00414-G8		BOLT, 1/4 - 20 X 1" LG	1
19	00559-G7		WASHER , 1/4"	1
20	14390-G4		LOCK NUT, 1/4 - 20	1
21	11845-G9		INSULATED CABLE CLAMP, 5/16".....	2
22				
23				
24	75683-G01		BANJO BOLT	2
25	75684-G01		COPPER GASKET.....	4
26				
27				
28	73793-G01		MASTER CYLINDER	1
29	00439-G1		BOLT, 5/16 - 18 X 1 1/8" LG	2
30	800697		LOCK NUT, 5/16 - 18.....	2

BRAKES

Where applicable, THE USE OF NON UL PARTS WILL VOID ANY UL LISTING.

When ordering parts, please specify the model and serial number of the product.

* Indicates a component that is not available as an individual part.

G** Indicates consult Customer Service Department for additional information.

ITEM	PART NO.	1 2 3 4 5	DESCRIPTION	QTY.
31				
32				
33	601180		BRAKE PEDAL	1
34	810152		COVER, PEDAL PAD	1
35	73995-G01		BUSHING	2
36	73993-G01		INNER PIVOT TUBE	1
37	311398		SCREW, 1/2 - 13 X 3 1/2" LG	1
38	800700		LOCK NUT, 1/2 - 13	1
39				
40				
41				
42				
43				
44	10385-G10		CLEVIS YOKE (ADJUSTABLE)	1
45	00544-G2		JAM NUT, 1/4 - 28	1
46	73545-G01		BUSHING	1
47	10386-G4		CLEVIS PIN, 3/8" X 15/16"	1
48	00798-G1		COTTER PIN, 1/16" X 1" LG	1
49				
50				
51	72819-G01		BRAKE ASSEMBLY (DRIVER SIDE) (INCLUDES ITEMS 53 - 63)	1
52	72819-G02		BRAKE ASSEMBLY (PASSENGER SIDE) (INCLUDES ITEMS 53 - 63)	1
53	72180-G01		BRAKE SHOE	2
54	75829-G**		PARK BRAKE WHEEL LEVER	1
55	75828-G01		WHEEL CYLINDER	1
56	*		WHEEL CYLINDER BOLT	2
57	*		UPPER RETURN SPRING	1
58	*		LOWER RETURN SPRING	1
59	*		CUP AND SPRING	2
60	*		ADJUSTER	2

BRAKES

Where applicable, THE USE OF NON UL PARTS WILL VOID ANY UL LISTING.

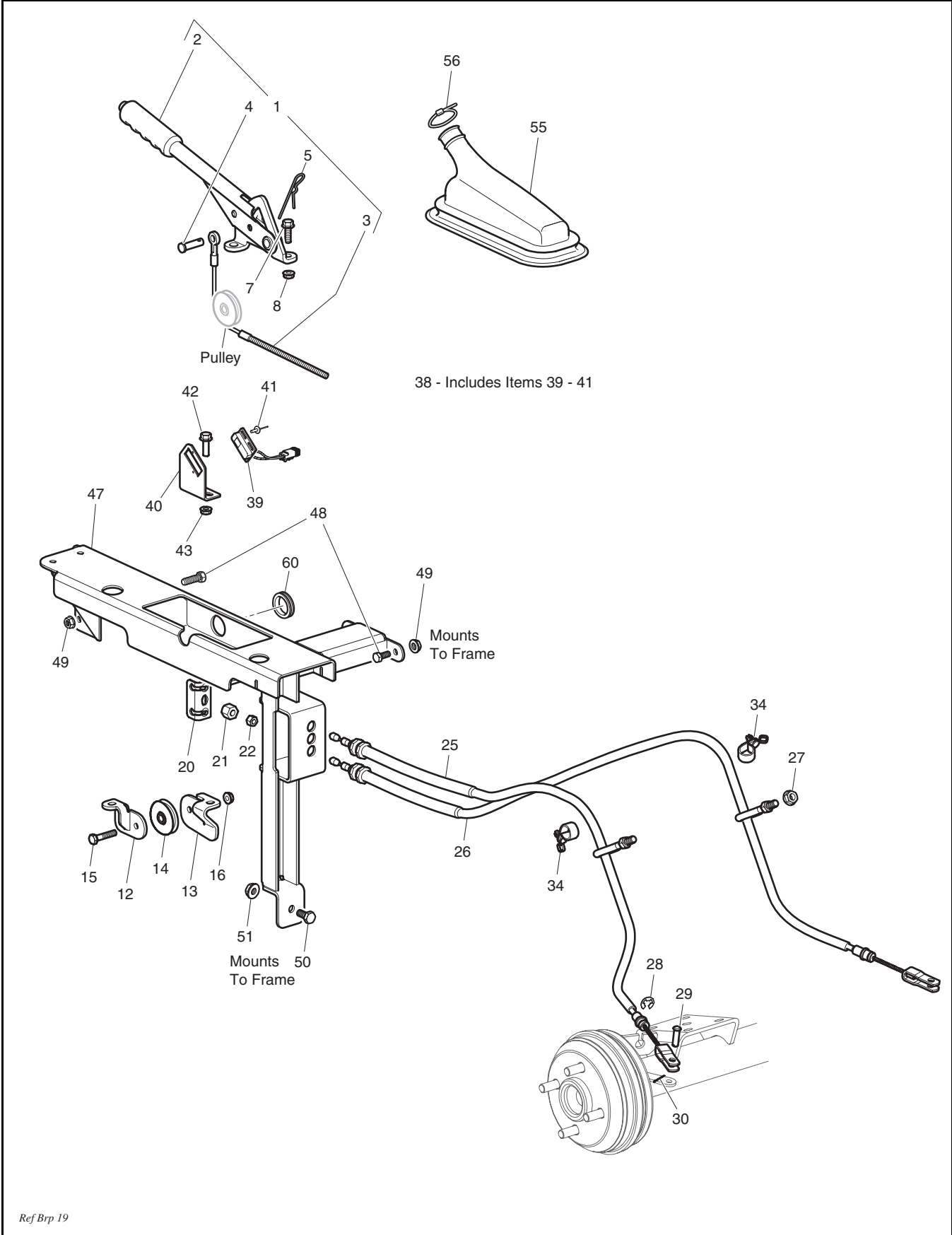
When ordering parts, please specify the model and serial number of the product.

* Indicates a component that is not available as an individual part.

G** Indicates consult Customer Service Department for additional information.

ITEM	PART NO.	1	2	3	4	5	DESCRIPTION	QTY.
61	*						WASHER	2
62	*						BOLT, 1/4 - 28 X 1/2" LG	2
63	*						DUST COVER	1
64								
65								
66	75826-G01						ADJUSTER KIT (INCLUDES ITEMS 60 - 63)	1
67	75827-G01						HARDWARE KIT (INCLUDES ITEMS 56 - 59)	1
68								
69								
70								
71								
72								
73								
74	72818-G01						BRAKE DRUM	2

BRAKES - PARK



BRAKES - PARK

Where applicable, THE USE OF NON UL PARTS WILL VOID ANY UL LISTING.

When ordering parts, please specify the model and serial number of the product.

* Indicates a component that is not available as an individual part.

G** Indicates consult Customer Service Department for additional information.

ITEM	PART NO.	1 2 3 4 5	DESCRIPTION	QTY.
1	73678-G01		PARK BRAKE LEVER ASSEMBLY (INCLUDES ITEMS 2 - 5)	1
2	73679-G01		PARK BRAKE LEVER	1
3	75498-G02		PARK BRAKE CABLE	1
4	75791-G01		CLEVIS PIN, 3/8" X 1 1/8" LG	1
5	75791-G02		COTTER PIN, 15/32" X 2 13/16" LG	1
6				
7	13437-G3		LOCK SCREW, 5/16 - 18 X 1" LG.....	2
8	800697		LOCK NUT, 5/16 - 18.....	2
9				
10				
11				
12	600054-G01		PULLEY MOUNT BRACKET (DRIVER SIDE)	1
13	600053-G01		PULLEY MOUNT BRACKET (PASSENGER SIDE)	1
14	75789-G01		PULLEY, 2" DIA	1
15	00439-G4		BOLT, 5/16 - 18 X 1 1/2" LG	1
16	800697		LOCK NUT, 5/16 - 18.....	1
17				
18				
19				
20	28082-G01		EQUALIZER BRACKET	1
21	00963-G01		SPHERICAL NUT, 5/16 - 24	1
22	00532-G4		NUT, 5/16 - 24.....	1
23				
24				
25	73701-G01		PARK BRAKE CABLE (DRIVER SIDE)	1
26	73701-G02		PARK BRAKE CABLE (PASSENGER SIDE)	1
27	800698		LOCK NUT, 3/8 - 16.....	2
28	01111-G01		RETAINING RING, 25/64" (STAINLESS STEEL)	4
29	14443-G3		CLEVIS PIN, 5/16" X 1" LG	2
30	10387-G3		COTTER PIN, 3/32" X 3/4" LG	2

BRAKES - PARK

Where applicable, THE USE OF NON UL PARTS WILL VOID ANY UL LISTING.

When ordering parts, please specify the model and serial number of the product.

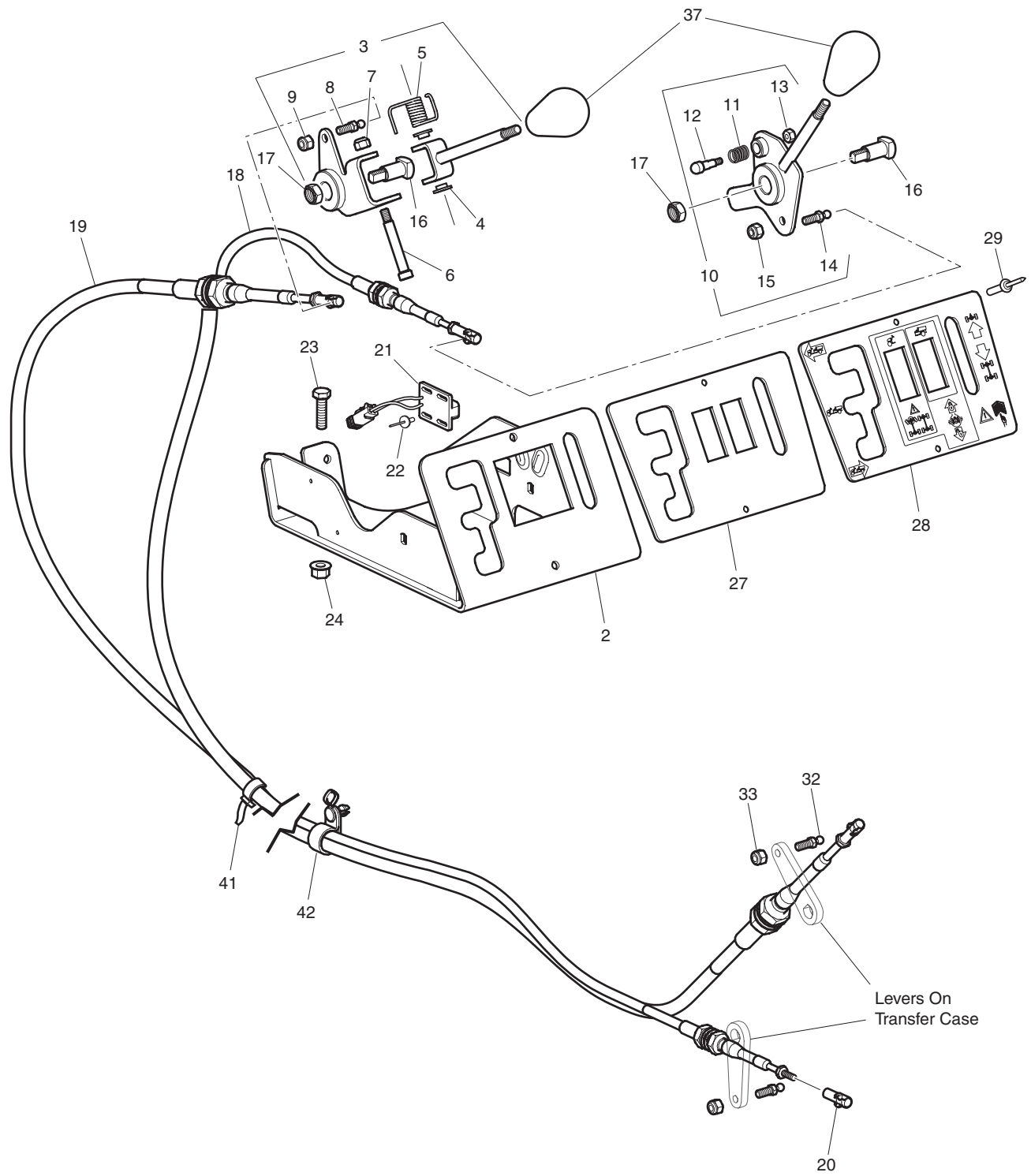
* Indicates a component that is not available as an individual part.

G** Indicates consult Customer Service Department for additional information.

ITEM	PART NO.	1 2 3 4 5	DESCRIPTION	QTY.
31				
32				
33				
34	73864-G02		CLAMP, 3/4"	2
35				
36				
37				
38	600052-G01		SENSOR ASSEMBLY (INCLUDES ITEMS 39 - 41)	1
39	73826-G01		PROXIMITY SENSOR SWITCH	1
40	600051-G01		SENSOR BRACKET	1
41	10570-G3		RIVET, 1/8" X 17/32" LG (ALUMINUM)	2
42	13437-G3		LOCK SCREW, 5/16 - 18 X 1" LG	2
43	800697		LOCK NUT, 5/16 - 18	2
44				
45				
46				
47	73676-G01		PARK BRAKE FRAME	1
48	00438-G6		BOLT, 5/16 - 18 X 3/4" LG	5
49	800697		LOCK NUT, 5/16 - 18	5
50	00426-G6		BOLT, 3/8 - 16 X 3/4" LG	1
51	800698		LOCK NUT, 3/8 - 16	1
52				
53				
54				
55	73854-G01		PARK BRAKE BOOT	1
56	17618-G1		WIRE TIE	1
57				
58				
59				
60	72936-G01		GROMMET	1

DIRECTION AND DRIVE SELECTOR

1 - Includes Items 2 - 22



Ref Dsl 19

DIRECTION AND DRIVE SELECTOR

Where applicable, THE USE OF NON UL PARTS WILL VOID ANY UL LISTING.

When ordering parts, please specify the model and serial number of the product.

* Indicates a component that is not available as an individual part.

G** Indicates consult Customer Service Department for additional information.

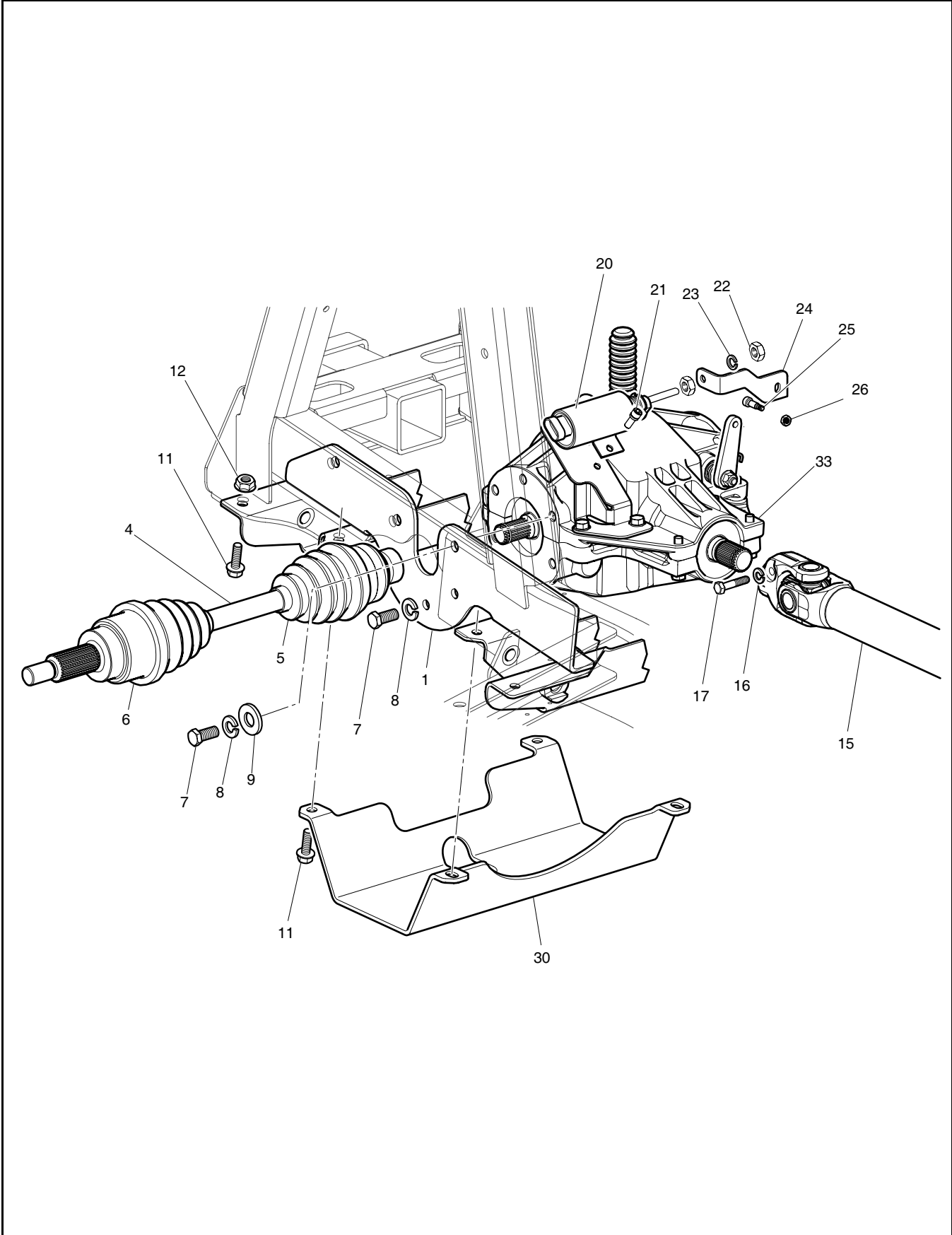
ITEM	PART NO.	1 2 3 4 5	DESCRIPTION	QTY.
1	73740-G01		FNR & 2WD/4WD SHIFTER ASSEMBLY (INCLUDES ITEMS 2 - 22)	1
2	73761-G01		SHIFTER HOUSING.....	1
3	73747-G01		DIRECTION SELECTOR HANDLE (INCLUDES ITEMS 4 - 9)	1
4	73751-G01		FLANGED BUSHING, 5/16"	2
5	73752-G01		TORSION SPRING	1
6	73753-G01		SHOULDER BOLT, 1/4 - 20	1
7	14390-G4		LOCK NUT, 1/4 - 20	1
8	73745-G01		BALL STUD	1
9	00734-G2		LOCK NUT, 1/4 - 28	1
10	73741-G01		TWO/FOUR WHEEL DRIVE SELECTOR HANDLE (INCL. ITEMS 11 - 15)	1
11	72733-G01		COMPRESSION SPRING 3/8" X 5/8" LG	1
12	73746-G01		DETENT PIN	1
13	00734-G5		LOCK NUT, # 10-32	1
14	73745-G01		BALL STUD	1
15	00734-G2		LOCK NUT, 1/4-28	1
16	75937-G01		PIVOT SHAFT	2
17	14390-G1		LOCK NUT, 3/8 - 24.....	2
18	601568		TWO/FOUR WHEEL DRIVE SELECTOR CABLE (INCLUDES ITEM 20) ...	1
19	601567		DIRECTION SELECTOR CABLE (INCLUDES ITEM 20).....	1
20	72811-G01		CABLE END SOCKET	2
21	73825-G01		PROXIMITY SENSOR SWITCH.....	1
22	10570-G9		RIVET, 1/8" X 11/32" LG (ALUMINUM)	2
23	00439-G1		BOLT, 5/16 - 18 X 1 1/8" LG	2
24	800697		LOCK NUT, 5/16 - 18	2
25				
26				
27	73725-G01		HAND CONTROL COVER PLATE	1
28	73777-G01		LABEL (HAND CONTROLS).....	1
29	71055-G01		RIVET, 3/16" X 1" LG (ALUMINUM)	2
30				

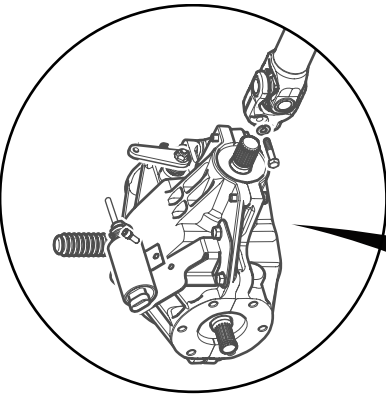
DIRECTION AND DRIVE SELECTOR

Where applicable, THE USE OF NON UL PARTS WILL VOID ANY UL LISTING.
 When ordering parts, please specify the model and serial number of the product.
 * Indicates a component that is not available as an individual part.
 G** Indicates consult Customer Service Department for additional information.

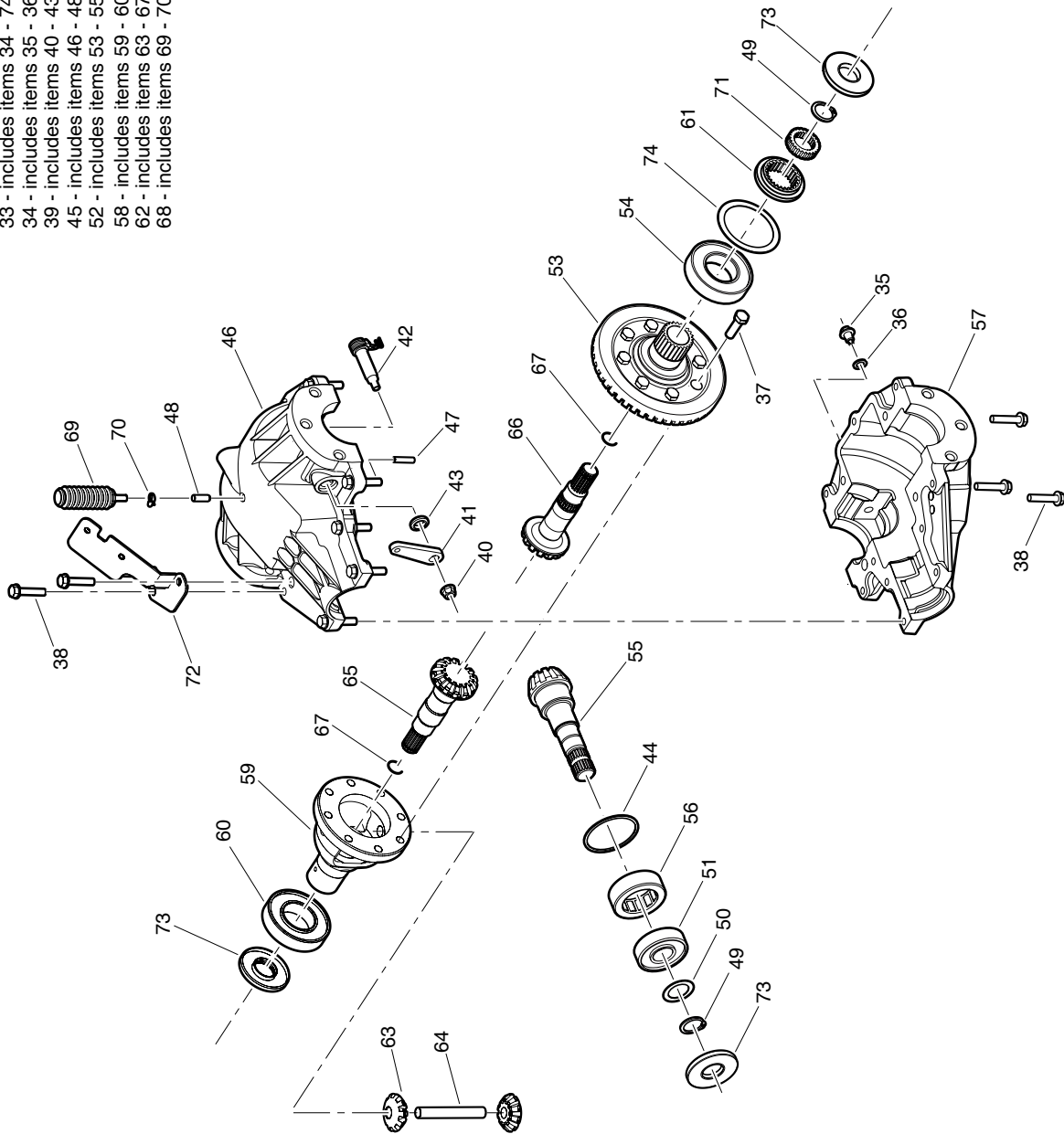
ITEM	PART NO.	1	2	3	4	5	DESCRIPTION	QTY.
31								
32	73745-G01						BALL STUD.....	2
33	00734-G2						LOCK NUT, 1/4 - 28.....	2
34								
35								
36								
37	73988-G01						KNOB	2
38								
39								
40								
41	17618-G1						WIRE TIE	1
42	73864-G02						CLAMP, 3/4".....	2

DRIVETRAIN - FRONT





- 33 - includes items 34 - 74
- 34 - includes items 35 - 36
- 39 - includes items 40 - 43
- 45 - includes items 46 - 48
- 52 - includes items 53 - 55
- 58 - includes items 59 - 60
- 62 - includes items 63 - 67
- 68 - includes items 69 - 70



DRIVETRAIN - FRONT

Where applicable, THE USE OF NON UL PARTS WILL VOID ANY UL LISTING.

When ordering parts, please specify the model and serial number of the product.

* Indicates a component that is not available as an individual part.

G** Indicates consult Customer Service Department for additional information.

ITEM	PART NO.	1 2 3 4 5	DESCRIPTION	QTY.
1	72951-G01		FRONT UNDERCARRIAGE	1
2				
3				
4	72847-G01		HALF SHAFT	2
5	602951		BOOT KIT INNER	1
6	602952		BOOT KIT OUTER	1
7	00426-G8		BOLT, 3/8 - 16 X 1" LG	10
8	00566-G1		WASHER, LOCK 3/8	10
9	00560-G1		WASHER, 3/8	4
10				
11	13437-G4		LOCK SCREW, 3/8 - 16 X 1" LG	10
12	800698		LOCK NUT, 3/8 - 16	10
13				
14				
15	73948-G01		FRONT DRIVE SHAFT	1
16	00565-G8		LOCK WASHER, 5/16"	2
17	72687-G01		BOLT, PATCHLOCK, 5/16 - 24 X 1 1/2" LG	2
18				
19				
20	600047-G01		SOLENOID	1
21	600117-G01		SCREW & WASHER, 1/4 - 28 X 5/8" LG	2
22	00544-G2		JAM NUT, 1/4 -28	2
23	00565-G7		LOCK WASHER, 1/4"	1
24	600046-G01		DIFFERENTIAL LOCK LINKAGE	1
25	73962-G01		SHOULDER BOLT, #10 - 24	1
26	14390-G10		LOCK NUT, #10 - 24	1
27				
28				
29				
30	73834-G01		FRONT DIFFERENTIAL GUARD	1

DRIVETRAIN - FRONT

Where applicable, THE USE OF NON UL PARTS WILL VOID ANY UL LISTING.
 When ordering parts, please specify the model and serial number of the product.
 * Indicates a component that is not available as an individual part.
 G** Indicates consult Customer Service Department for additional information.

ITEM	PART NO.	1 2 3 4 5	DESCRIPTION	QTY.
31				
32				
33	73838-G01		FRONT DIFFERENTIAL ASSEMBLY (INCLUDES ITEMS 34 - 74)	1
34	602790		DRAIN PLUG KIT (INCLUDES ITEMS 35 - 36).....	1
35	*		PLUG, 3/8 - 16	1
36	*		WASHER.....	1
37	602789		SCREW, 3/8 - 16 X 1 1/4" LG.....	8
38	602778		SCREW, 5/16 - 18 X 1 1/2" LG.....	13
39	602787		DIFFERENTIAL LOCK LEVER KIT (INCLUDES ITEMS 40 - 43)	1
40	*		LOCK NUT, 5/16 - 24	1
41	*		BELLCRANK	1
42	*		WELDMENT.....	1
43	*		SEAL	1
44	602808		WASHER	1
45	602788		DIFFERENTIAL CASE KIT (UPPER) (INCLUDES ITEMS 46 - 48)	1
46	*		DIFFERENTIAL CASE	1
47	*		PIN	1
48	*		TUBE.....	1
49	602837		RETAINING RING (EXTERNAL)	2
50	602839		SHIM.....	1
51	602809		BEARING.....	1
52	602780		GEAR AND PINION KIT (INCLUDES ITEMS 53 - 55)	1
53	*		GEAR	1
54	*		BEARING	1
55	*		PINION	1
56	602810		BEARING.....	1
57	602811		DIFFERENTIAL CASE (LOWER).....	1
58	602786		DIFFERENTIAL HOUSING KIT (INCLUDES ITEMS 59 - 60)	1
59	*		HOUSING.....	1
60	*		BALL BEARING	1

DRIVETRAIN - FRONT

Where applicable, THE USE OF NON UL PARTS WILL VOID ANY UL LISTING.

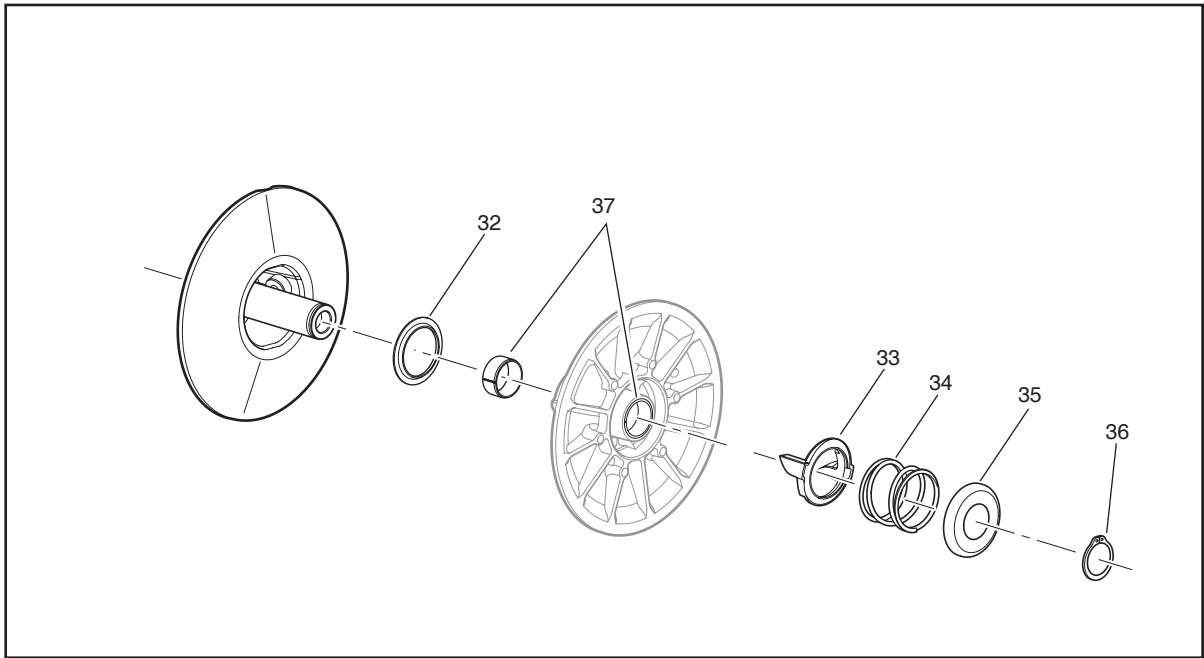
When ordering parts, please specify the model and serial number of the product.

* Indicates a component that is not available as an individual part.

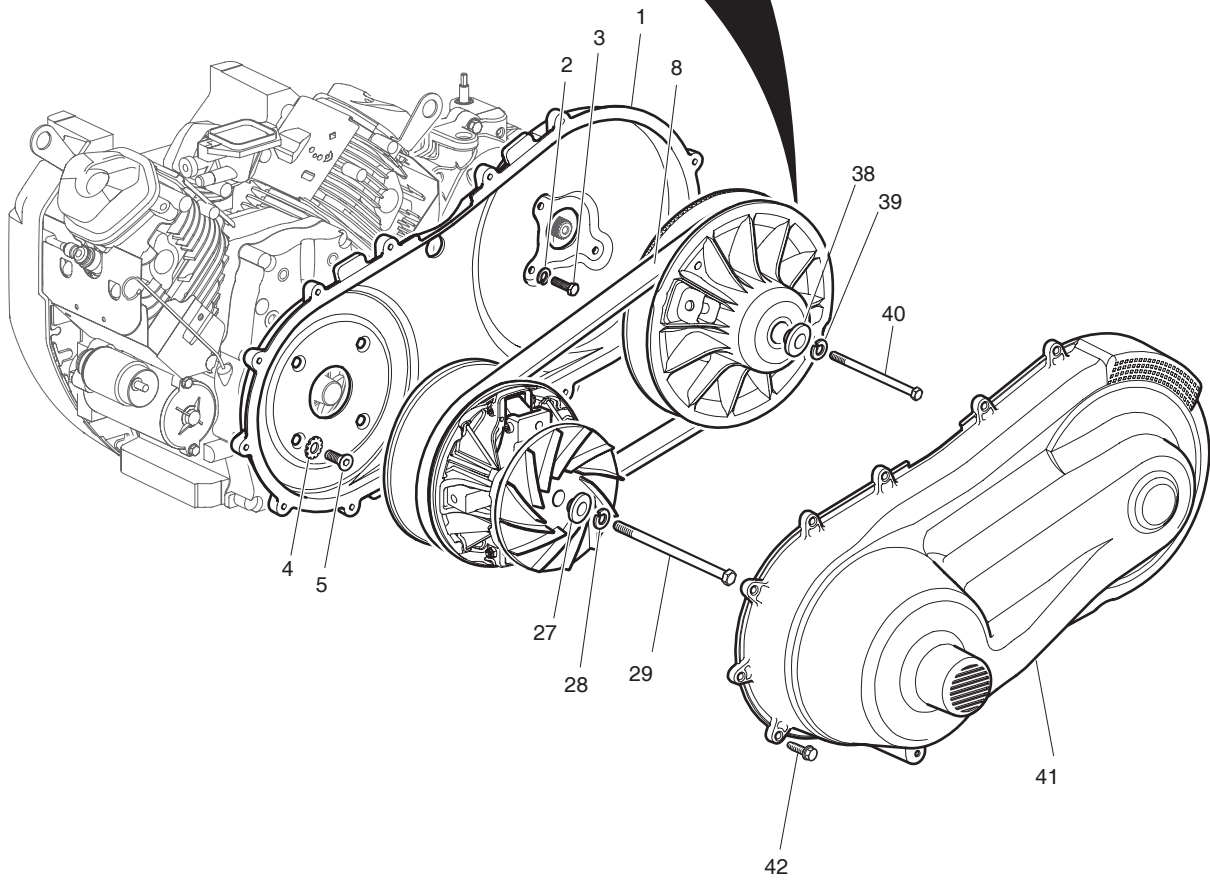
G** Indicates consult Customer Service Department for additional information.

ITEM	PART NO.	1	2	3	4	5	DESCRIPTION	QTY.
61	602831						DOG ENGAGEMENT	1
62	602805						DIFFERENTIAL PINION AND GEAR SET (INCLUDES ITEMS 63 - 67)	1
63	*						PINION	2
64	*						DIFFERENTIAL PIN	1
65	*						GEAR OUTPUT SHAFT	1
66	*						GEAR OUTPUT SHAFT (DIFFERENTIAL)	1
67	*						RETAINING RING	2
68	602779						BELLOW KIT (INCLUDES ITEMS 69 - 70)	1
69	*						VENT	1
70	*						SPRING CLIP	1
71	602806						COLLAR	1
72	602807						DIFFERENTIAL BRACKET	1
73	602834						SEAL	3
74	602836						SHIM	1

DRIVETRAIN - MID

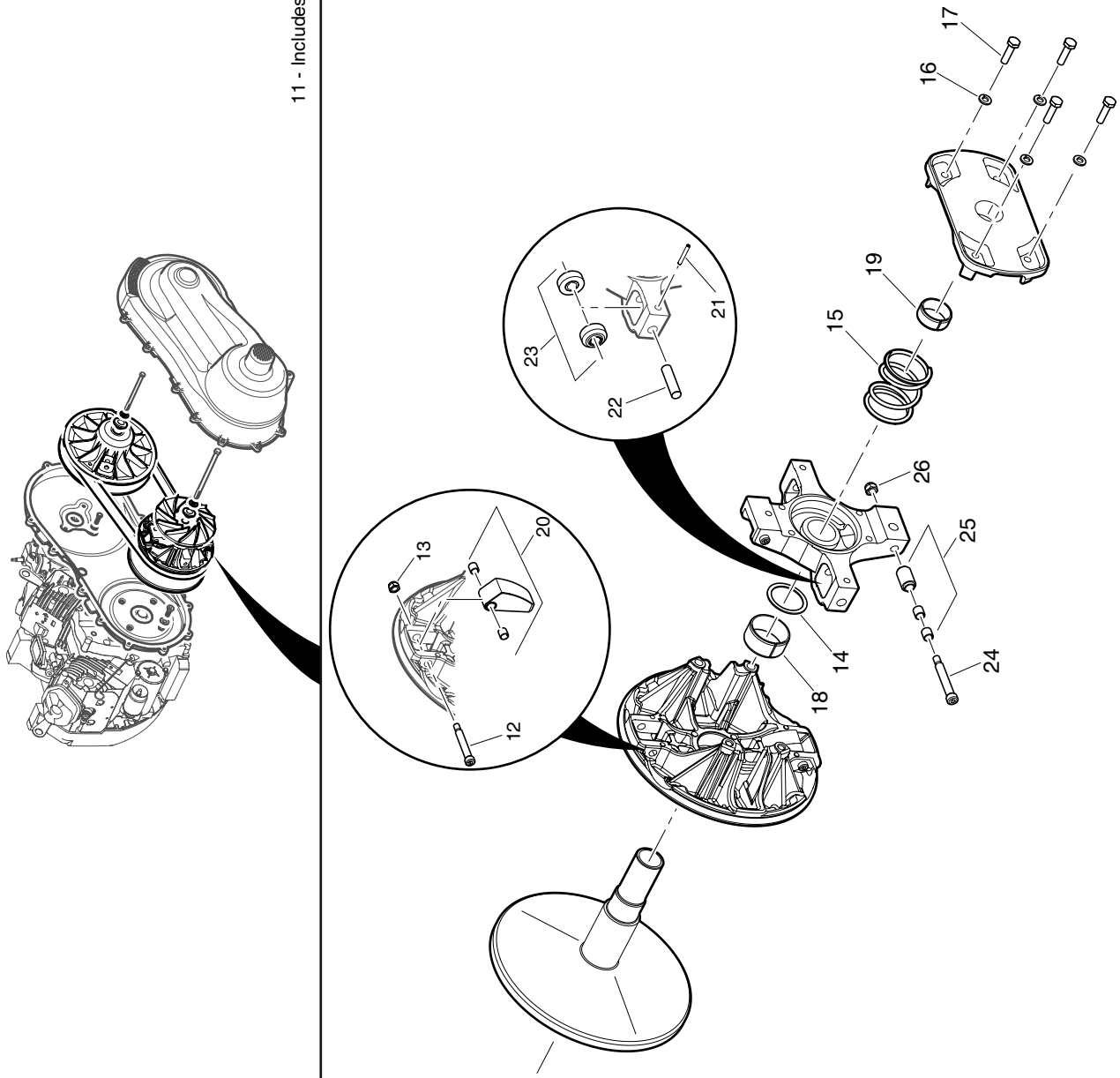


31 - Includes items 32 - 37



Ref Dtm 19-2

11 - Includes items 12 - 26



DRIVETRAIN - MID

Where applicable, THE USE OF NON UL PARTS WILL VOID ANY UL LISTING.

When ordering parts, please specify the model and serial number of the product.

* Indicates a component that is not available as an individual part.

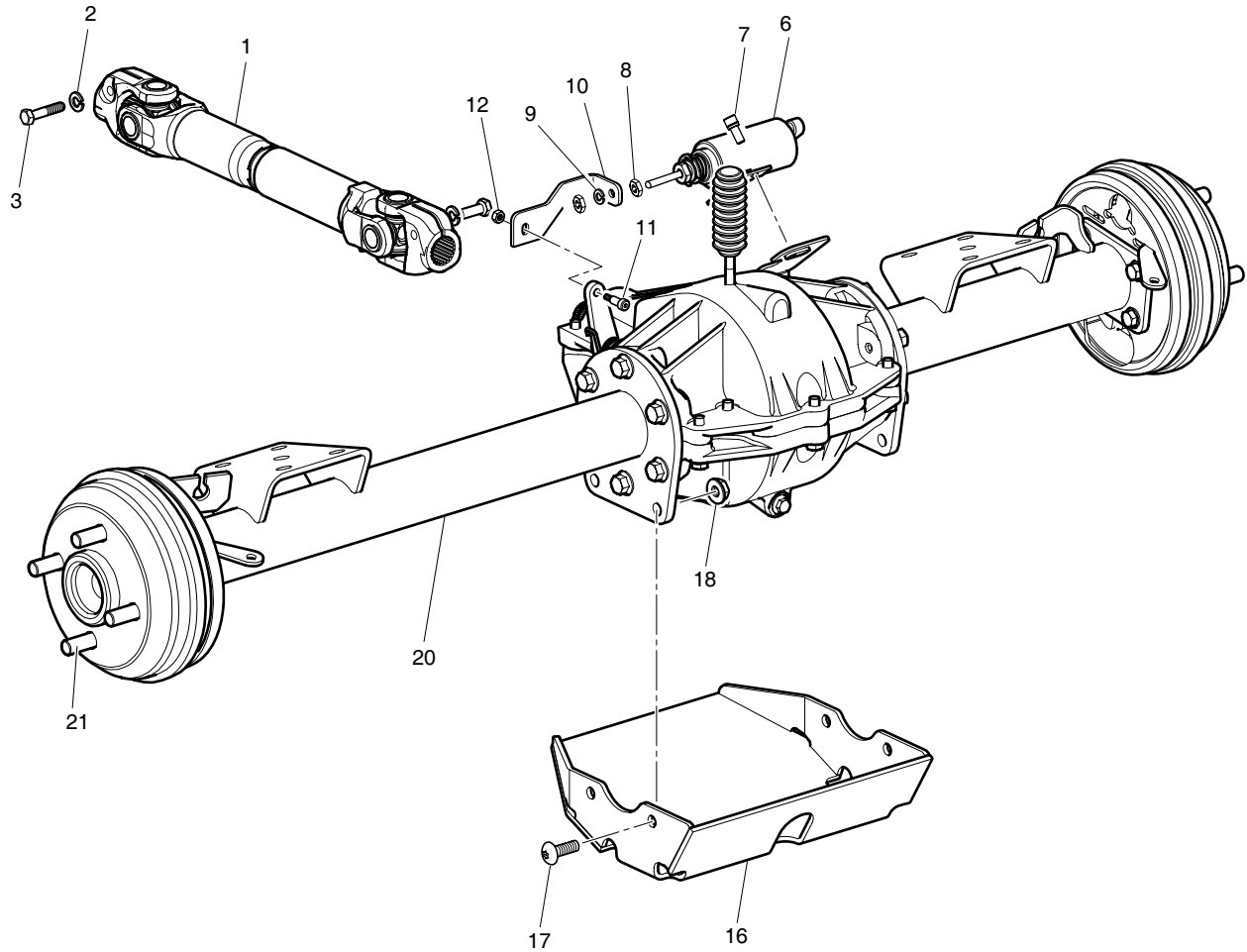
G** Indicates consult Customer Service Department for additional information.

ITEM	PART NO.	1 2 3 4 5	DESCRIPTION	QTY.
1	73663-G01		COVER BACK PLATE	1
2	73960-G01		LOCK WASHER, 5/16".....	4
3	73959-G01		SCREW, 5/16 - 24 X 3/4" LG	4
4	00565-G7		LOCK WASHER, 1/4".....	3
5	00414-G6		BOLT, 1/4 - 20 X 3/4" LG	3
6				
7				
8	73965-G01		DRIVE BELT	1
9				
10				
11	73841-G01		DRIVE CLUTCH ASSEMBLY (INCLUDES ITEMS 12 - 26).....	1
12	602877		SCREW, .312 X 1 3/4" LG	2
13	602879		LOCK NUT, 1/4 - 20.....	2
14	603009		SHIM.....	AR
15	603011		COMPRESSION SPRING	1
16	603013		LOCK WASHER, 1/4"	4
17	603014		SCREW, 1/4 - 20 X 1 1/4" LG	4
18	603003		BEARING.....	1
19	603004		BEARING.....	1
20	603005		WEIGHT CLUTCH	2
21	602874		PIN, .125 X 1" LG	2
22	602875		DOWEL PIN, .375 X 1 1/2" LG	2
23	602876		ROLLER.....	4
24	602877		SCREW, .312 X 1 3/4" LG	2
25	602878		ROLLER WEIGHT	2
26	602879		LOCK NUT, 1/4 - 20.....	2
27	25757-G1		PILOT WASHER	1
28	00566-G2		LOCK WASHER, 7/16".....	1
29	73953-G01		BOLT, M10 X 1.25 X 160MM LG	1
30				

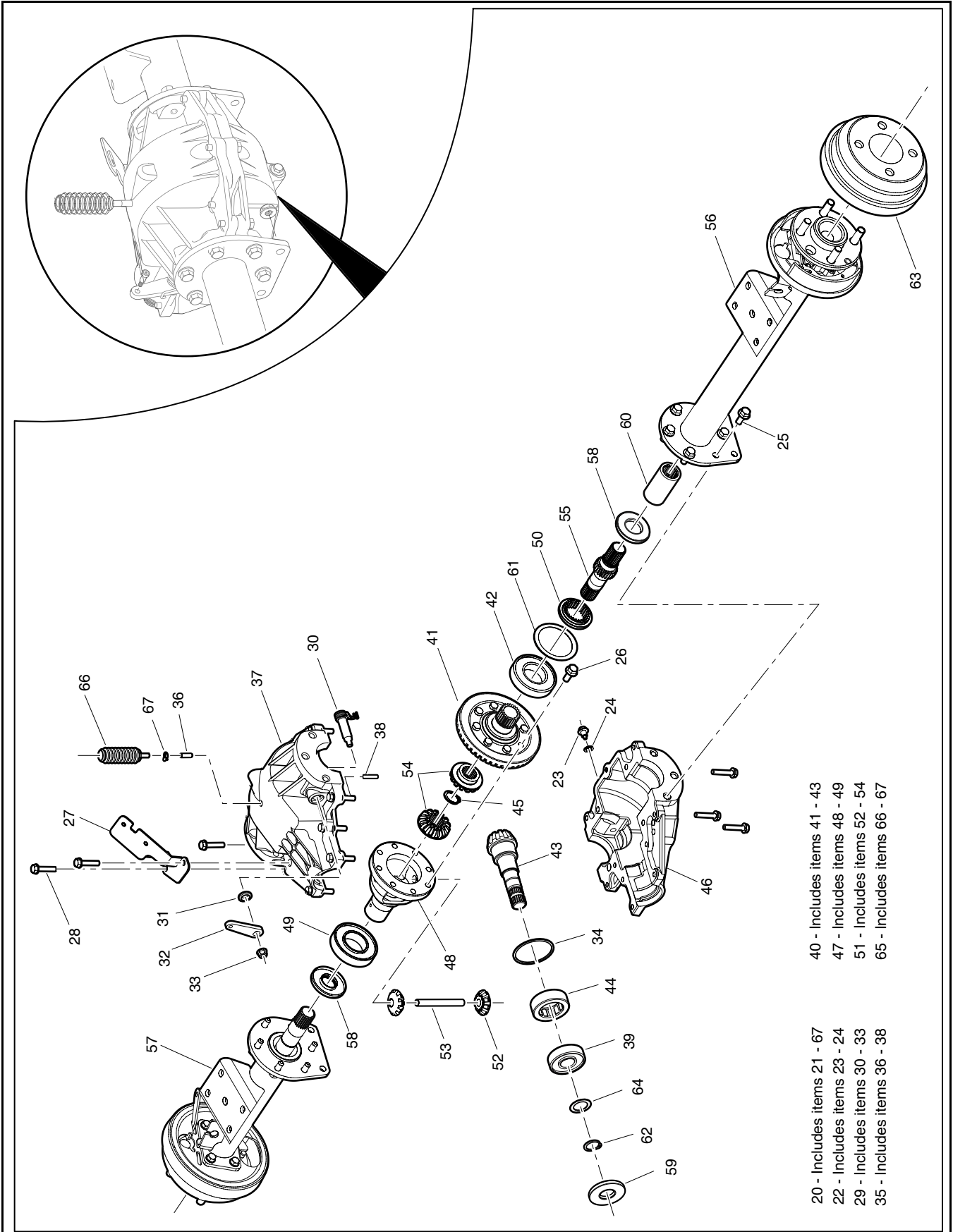
Where applicable, THE USE OF NON UL PARTS WILL VOID ANY UL LISTING.
 When ordering parts, please specify the model and serial number of the product.
 * Indicates a component that is not available as an individual part.
 G** Indicates consult Customer Service Department for additional information.

ITEM	PART NO.	1 2 3 4 5	DESCRIPTION	QTY.
31	73842-G01		DRIVEN CLUTCH ASSEMBLY (INCLUDES ITEMS 32 - 37)	1
32	602881		WASHER THRUST.....	1
33	602883		SPRING RETAINER (INNER)	1
34	602884		COMPRESSION SPRING	1
35	602885		SPRING RETAINER (OUTER)	1
36	602886		RETAINER RING.....	1
37	602887		BEARING.....	2
38	25756-G1		RETAINING WASHER	1
39	00565-G8		LOCK WASHER, 5/16".....	1
40	548958		SCREW, 5/16 - 18 X 3 1/2" LG	1
41	73664-G01		CVT COVER	1
42	71204-G01		BOLT, 1/4 - 20 X 7/8" LG	14

DRIVETRAIN - REAR



Ref Dtr 19



DRIVETRAIN - REAR

Where applicable, THE USE OF NON UL PARTS WILL VOID ANY UL LISTING.

When ordering parts, please specify the model and serial number of the product.

* Indicates a component that is not available as an individual part.

G** Indicates consult Customer Service Department for additional information.

ITEM	PART NO.	1 2 3 4 5	DESCRIPTION	QTY.
1	73949-G01		REAR DRIVE SHAFT.....	1
2	00565-G8		LOCK WASHER, 5/16".....	2
3	72687-G01		BOLT, PATCHLOCK, 5/16 - 24 X 1 1/2" LG	2
4				
5				
6	600047-G01		SOLENOID.....	1
7	600117-G01		SCREW & WASHER, 1/4 - 28 X 5/8" LG	2
8	00544-G2		JAM NUT, 1/4 -28	2
9	00565-G7		LOCK WASHER, 1/4".....	1
10	600046-G01		DIFFERENTIAL LOCK LINKAGE	1
11	73962-G01		SHOULDER BOLT, #10 - 24.....	1
12	14390-G10		LOCK NUT, #10 - 24	1
13				
14				
15				
16	73399-G01		REAR DIFFERENTIAL GUARD.....	1
17	73653-G01		BOLT, 3/8 - 16 X 1 1/8" LG	4
18	800698		LOCK NUT, 3/8 - 16	4
19				
20	73840-G01		REAR AXLE (INCLUDES ITEMS 21 - 67)	1
21	72759-G01		LUG BOLT, 1/2 - 20 (REAR).....	8
22	602790		DRAIN PLUG KIT (INCLUDES ITEMS 23 - 24).....	1
23	*		PLUG, 3/8 - 16	1
24	*		WASHER.....	1
25	602791		SCREW, 3/8 - 16 X 1 1/4" LG	12
26	602789		SCREW, 3/8 - 16 X 1 1/4" LG	8
27	602807		DIFFRENTIAL BRACKET	1
28	602778		SCREW, 5/16 - 18 X 1 1/2" LG	13
29	602787		DIFFRENTIAL LOCK LEVER KIT (INCLUDES ITEMS 30 - 33).....	1
30	*		ACTUATOR DIFFERENTIAL LOCK	1

DRIVETRAIN - REAR

Where applicable, THE USE OF NON UL PARTS WILL VOID ANY UL LISTING.

When ordering parts, please specify the model and serial number of the product.

* Indicates a component that is not available as an individual part.

G** Indicates consult Customer Service Department for additional information.

ITEM	PART NO.	1	2	3	4	5	DESCRIPTION	QTY.
31	*						SEAL	1
32	*						BELLCRANK	1
33	*						LOCK NUT, 5/16 - 24	1
34	602808						WASHER	1
35	602788						DIFFERENTIAL CASE (UPPER) (INCLUDES ITEMS 36 - 38)	1
36	*						TUBE	1
37	*						DIFFERENTIAL CASE	1
38	*						PIN	1
39	602809						BALL BEARING	1
40	602780						GEAR AND PINION KIT (INCLUDES ITEMS 41 - 43)	1
41	*						GEAR	1
42	*						BALL BEARING	1
43	*						PINION	1
44	602810						BEARING	1
45	602830						RETAINING RING (EXTERNAL)	1
46	602811						DIFFERENTIAL CASE (LOWER)	1
47	602786						DIFFERENTIAL LOCK HOUSING KIT (INCLUDES ITEMS 48 - 49)	1
48	*						HOUSING	1
49	*						BALL BEARING	1
50	602831						DOG ENGAGEMENT	1
51	602792						DIFFERENTIAL PINION AND GEAR SET (INCLUDES ITEMS 52 - 54) ...	1
52	*						PINION	2
53	*						PIN	1
54	*						GEAR	2
55	602832						AXLE LOCK	1
56	602793						AXLE ASSEMBLY (DRIVER SIDE)	1
57	602825						AXLE ASSEMBLY (PASSENGER SIDE)	1
58	602833						SEAL	2
59	602834						SEAL	1
60	602835						COUPLER SHAFT	1

DRIVETRAIN - REAR

Where applicable, THE USE OF NON UL PARTS WILL VOID ANY UL LISTING.

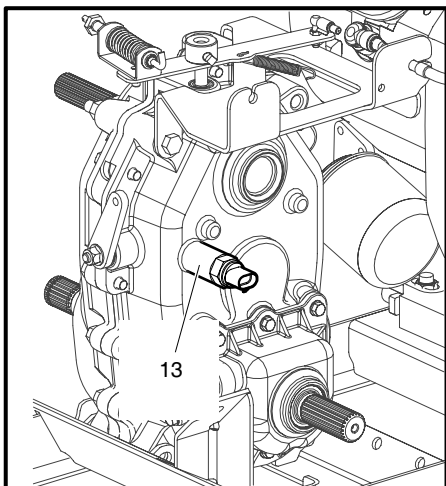
When ordering parts, please specify the model and serial number of the product.

* Indicates a component that is not available as an individual part.

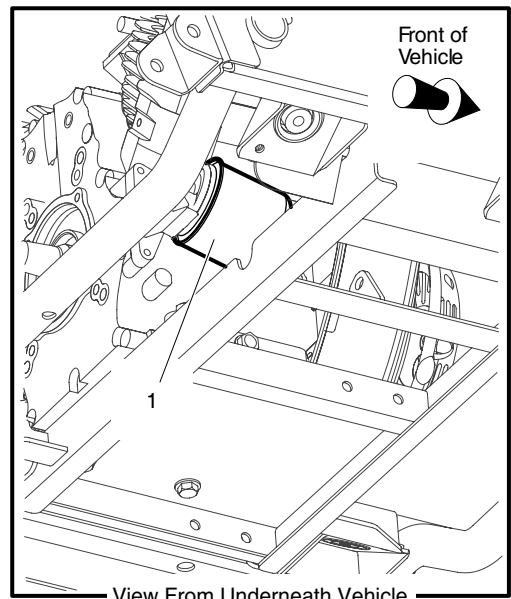
G** Indicates consult Customer Service Department for additional information.

ITEM	PART NO.	1	2	3	4	5	DESCRIPTION	QTY.
61	602836						SHIM	1
62	602837						RETAINING RING	1
63	602838						BRAKE DRUM	1
64	602839						SHIM	1
65	602779						BELLOW SERVICE KIT (INCLUDES ITEMS 66 - 67)	1
66	*						VENT	1
67	*						SPRING CLIP	1

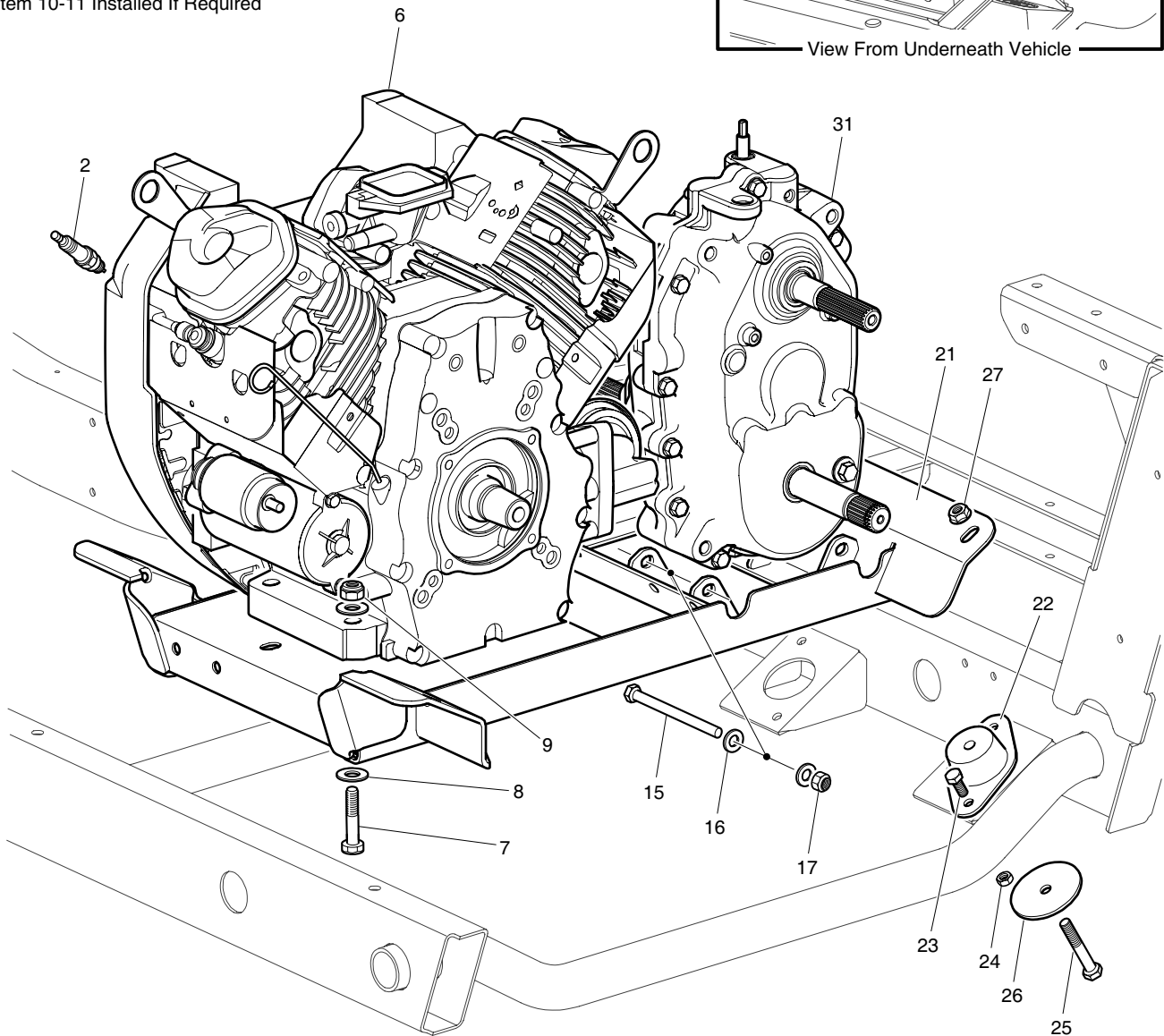
DRIVETRAIN - TRANSMISSION



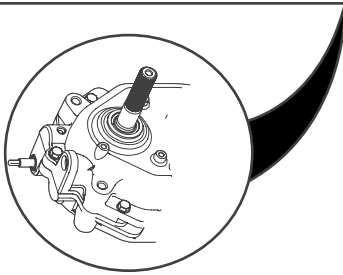
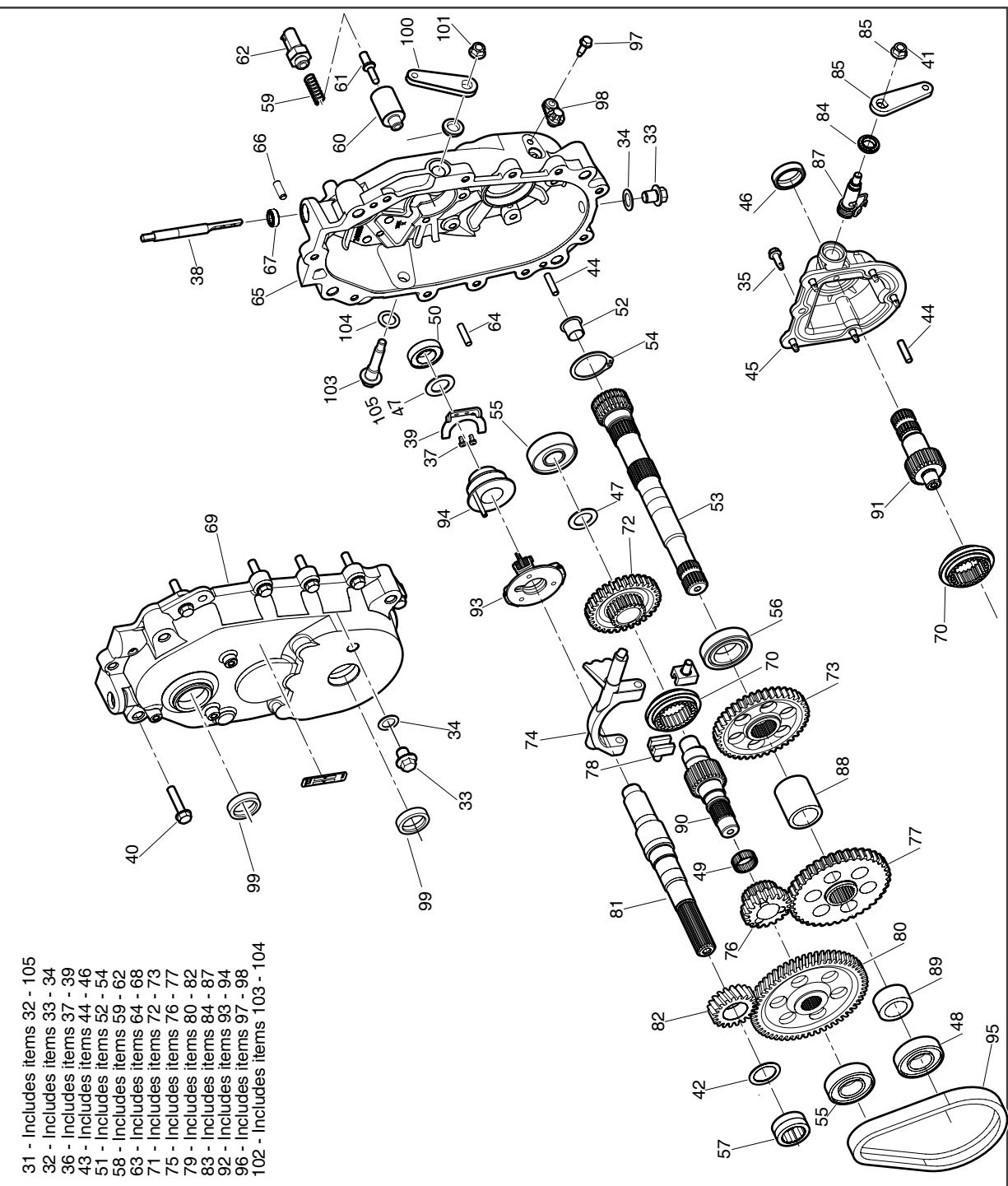
Engine Model
#GX610K1 VDF R280 RCD



Item 10-11 Installed If Required



Ref Dm 19-1



DRIVETRAIN - TRANSMISSION

Where applicable, THE USE OF NON UL PARTS WILL VOID ANY UL LISTING.

When ordering parts, please specify the model and serial number of the product.

* Indicates a component that is not available as an individual part.

G** Indicates consult Customer Service Department for additional information.

ITEM	PART NO.	1 2 3 4 5	DESCRIPTION	QTY.
1	15400-POH-305PE		OIL FILTER	1
2	BPR2ES		SPARK PLUG (NGK)	2
3				
4				
5				
6	73680-G01		ENGINE HONDA 18 HP, MODEL GX610K1 VDF2 R280 RCD.....	1
7	311392		BOLT, 7/16 - 14 X 2" LG	4
8	00922-G3		WASHER, 7/16"	8
9	00734-G1		LOCK NUT, 7/16 - 14	4
10	72971-G01		HIGH ALTITUDE KIT, 5-8,000 FT	AR
11	72971-G02		HIGH ALTITUDE KIT, 8-10,00 FT	AR
12				
13	72686-G01		INDICATOR SWITCH	1
14				
15	311391		BOLT, 3/8 - 16 X 4" LG	2
16	00560-G1		WASHER, 3/8"	4
17	11098-G5		LOCK NUT, 3/8 - 16	2
18				
19				
20				
21	73879-G01		ENGINE SUB-FRAME	1
22	73890-G01		ISOLATION MOUNT	4
23	00438-G6		BOLT, 5/16 - 18 X 3/4" LG	8
24	11098-G6		LOCK NUT, 5/16 - 18	8
25	00427-G8		BOLT 3/8 - 16 X 2" LG	4
26	72051-G02		WASHER, 3/8"	4
27	800698		LOCK NUT, 3/8 - 16	4
28				
29				
30				

DRIVETRAIN - TRANSMISSION

Where applicable, THE USE OF NON UL PARTS WILL VOID ANY UL LISTING.

When ordering parts, please specify the model and serial number of the product.

* Indicates a component that is not available as an individual part.

G** Indicates consult Customer Service Department for additional information.

ITEM	PART NO.	1 2 3 4 5	DESCRIPTION	QTY.
31	73839-G01		TRANSFER CASE ASSEMBLY (INCLUDES ITEMS 32 - 105)	1
32	602841		DRAIN PLUG KIT (INCLUDES ITEMS 33 - 34)	1
33	*		PLUG, 1/2 - 20	2
34	*		WASHER NYLON	2
35	602850		SCREW, 1/4 - 20	6
36	602848		GOVERNOR LINKAGE KIT (INCLUDES ITEMS 37 - 39)	1
37	*		SCREW	2
38	*		GOVERNOR ARM	1
39	*		FORK GOVERNOR	1
40	602840		SCREW, 5/16 - 18 X 1 1/2" LG	11
41	*		NUT, 5/16 - 24	1
42	602856		WASHER	1
43	602972		FRONT OUTPUT COVER KIT (INCLUDES ITEMS 44 - 46)	1
44	*		DOWEL PIN	1
45	*		COVER	1
46	*		SEAL	1
47	602857		WASHER	2
48	602858		BALL BEARING	1
49	602859		NEEDLE BEARING	1
50	602860		BALL BEARING	1
51	602846		OUTPUT SHAFT KIT (INCLUDES ITEMS 52 - 54)	1
52	*		BEARING	1
53	*		SHAFT REAR	1
54	*		RETAINING RING	1
55	602861		BALL BEARING	2
56	602862		BALL BEARING	1
57	602863		NEEDLE BEARING	1
58	602852		DETENT ASSEMBLY (INCLUDES ITEMS 59 - 62)	1
59	*		GUIDE	1
60	*		BULLET	1

DRIVETRAIN - TRANSMISSION

Where applicable, THE USE OF NON UL PARTS WILL VOID ANY UL LISTING.

When ordering parts, please specify the model and serial number of the product.

* Indicates a component that is not available as an individual part.

G** Indicates consult Customer Service Department for additional information.

ITEM	PART NO.	1	2	3	4	5	DESCRIPTION	QTY.
61	*						SWITCH	1
62	*						COMPRESSION SPRING.....	1
63	602853						FRONT GEAR CASE KIT (INCLUDES ITEMS 64 - 68)	1
64	*						DOWEL PIN	2
65	*						GEAR CASE (FRONT).....	1
66	*						TUBE VENT	1
67	*						SEAL	1
68	*						SEAL	1
69	602864						GEAR CASE (REAR).....	1
70	602831						DOG ENGAGEMENT	2
71	602845						GEAR KIT (INCLUDES ITEMS 72 - 73)	1
72	*						GEAR	1
73	*						OUTPUT GEAR	1
74	602865						SHIFTER.....	1
75	602844						SPROCKET KIT (INCLUDES ITEMS 76 - 77).....	1
76	*						SPROCKET (18 TEETH)	1
77	*						SPROCKET (38 TEETH)	1
78	602855						COLLAR.....	2
79	602842						INPUT SHAFT AND GEAR KIT (INCLUDES ITEMS 80 - 82)	1
80	*						GEAR	1
81	*						INPUT SHAFT	1
82	*						GEAR	1
83	602854						ACTUATOR ASSEMBLY KIT (INCLUDES ITEMS 84 - 87)	1
84	*						SEAL	1
85	*						NUT, 5/6 - 24	1
86	*						BELL CRANK	1
87	*						ACTUATOR.....	1
88	602866						SPACER	1
89	602867						SPACER	1
90	602868						REVERSE SHAFT	1

DRIVETRAIN - TRANSMISSION

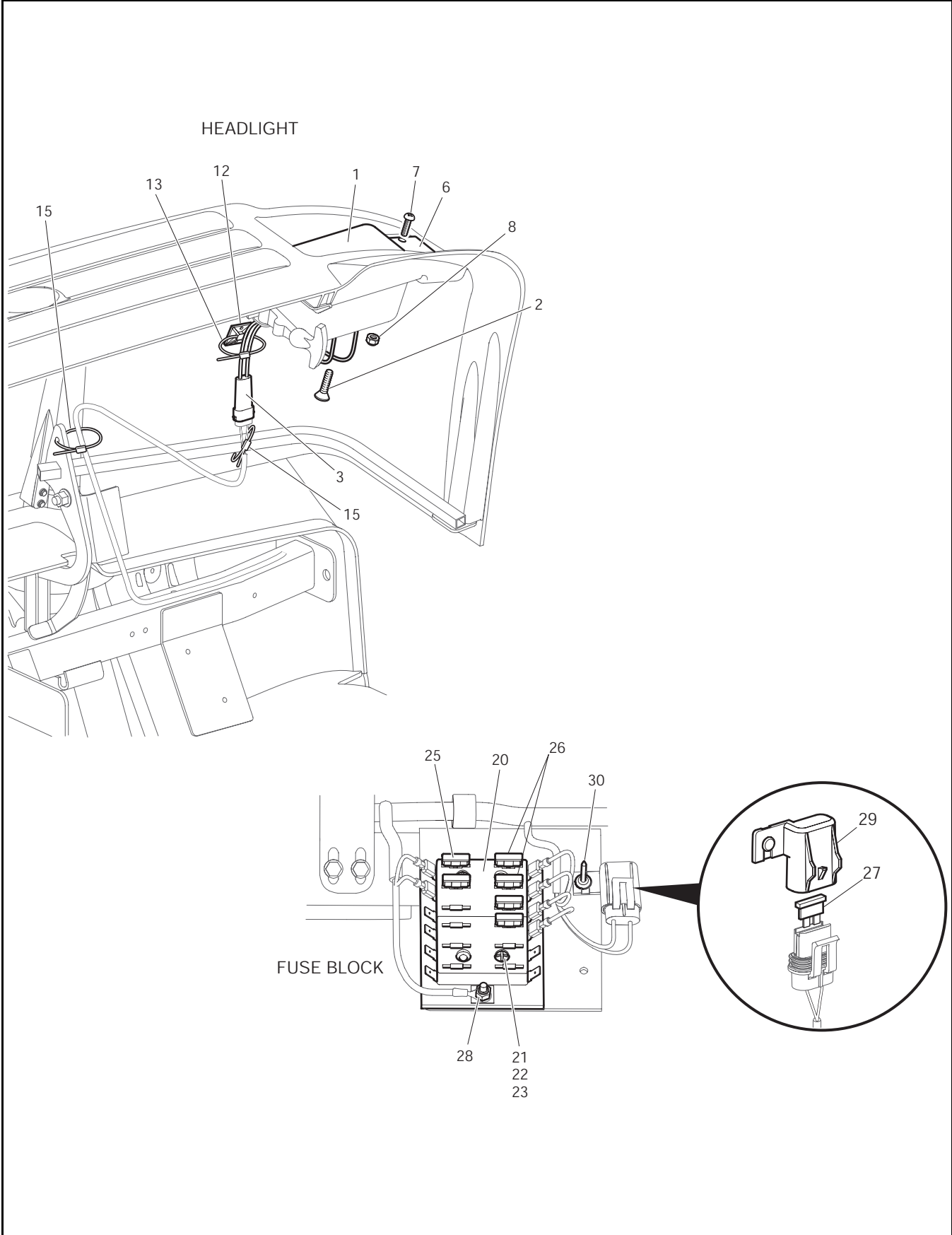
Where applicable, THE USE OF NON UL PARTS WILL VOID ANY UL LISTING.

When ordering parts, please specify the model and serial number of the product.

* Indicates a component that is not available as an individual part.

G** Indicates consult Customer Service Department for additional information.

ITEM	PART NO.	1	2	3	4	5	DESCRIPTION	QTY.
91	602869						FRONT OUTPUT SHAFT	1
92	602847						GOVERNOR KIT (INCLUDES ITEMS 93 - 94)	1
93	*						FLY WEIGHT	1
94	*						GOVERNOR SPOOL	1
95	602870						CHAIN	1
96	602851						SPPED SENSOR PLUG KIT (INCLUDES ITEMS 97 - 98)	1
97	*						SCREW, 1/4 - 20	1
98	*						PLUG	1
99	602871						SEAL	2
100	602872						BELLCRANK (FNR)	1
101	602873						LOCK NUT, 3/8 - 24	1
102	602849						FNR GUIDE (INCLUDES ITEMS 103 - 104)	1
103	*						SCREW	1
104	*						NYLON WASHER	1
105	603085						RETAINING RING	1



Where applicable, THE USE OF NON UL PARTS WILL VOID ANY UL LISTING.

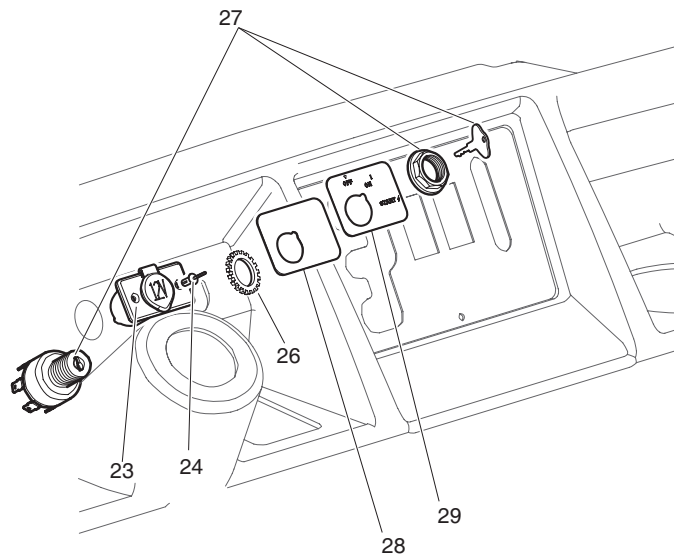
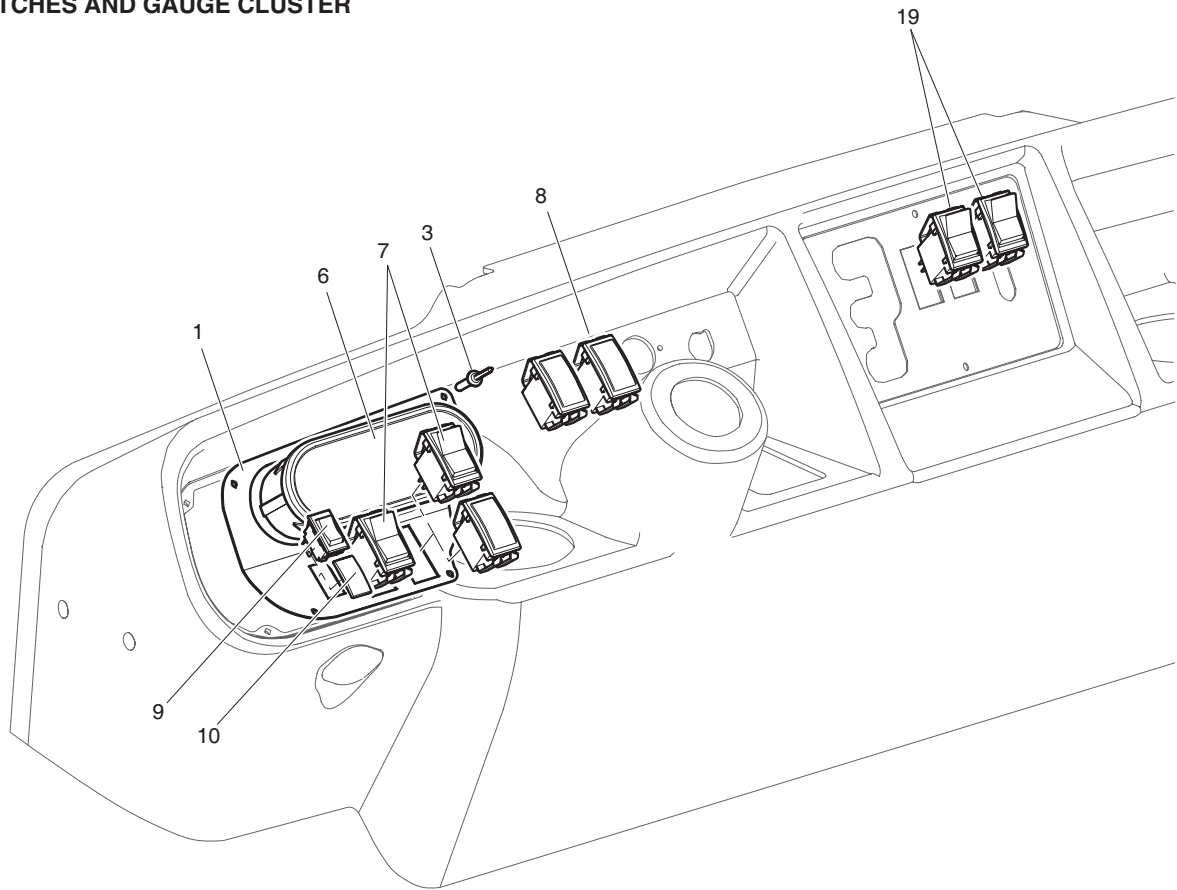
When ordering parts, please specify the model and serial number of the product.

* Indicates a component that is not available as an individual part.

G** Indicates consult Customer Service Department for additional information.

ITEM	PART NO.	1	2	3	4	5	DESCRIPTION	QTY.
1	22523-G1						HEADLIGHT (RECTANGULAR) (INCLUDES ITEM 2)	2
2	00906-G6						SCREW, #10 - 16 X 1" LG	2
3	74337-G01						JUMPER WIRE (HEADLIGHT)	2
4								
5								
6	20574-G4						LENS, AMBER	2
7	00645-G5						SCREW, #6 - 32 X 5/8" LG	4
8	14390-G9						LOCK NUT, #6 - 32	4
9								
10								
11								
12	20058-G1						WIRE TIE ADHESIVE BASE	2
13	17618-G1						WIRE TIE	2
14								
15	31539-G1						WIRE TIE	2
16								
17								
18								
19								
20	35211-G02						FUSE BLOCK (12 POSITION)	1
21	00379-G2						SCREW, #10 - 24 X 1 1/4" LG	2
22	00559-G5						WASHER, #10	2
23	14390-G10						LOCK NUT, #10 - 24	2
24								
25	35212-G01						FUSE, 15 AMP	2
26	35212-G02						FUSE, 20 AMP	2
27	35212-G03						FUSE, 25 AMP	1
28	00526-G4						NUT, #10 - 32	1
29	73499-G01						IN-LINE FUSE COVER	1
30	71055-G01						RIVET, 3/16" X 1" LG (ALUMINUM)	1

SWITCHES AND GAUGE CLUSTER



Where applicable, THE USE OF NON UL PARTS WILL VOID ANY UL LISTING.

When ordering parts, please specify the model and serial number of the product.

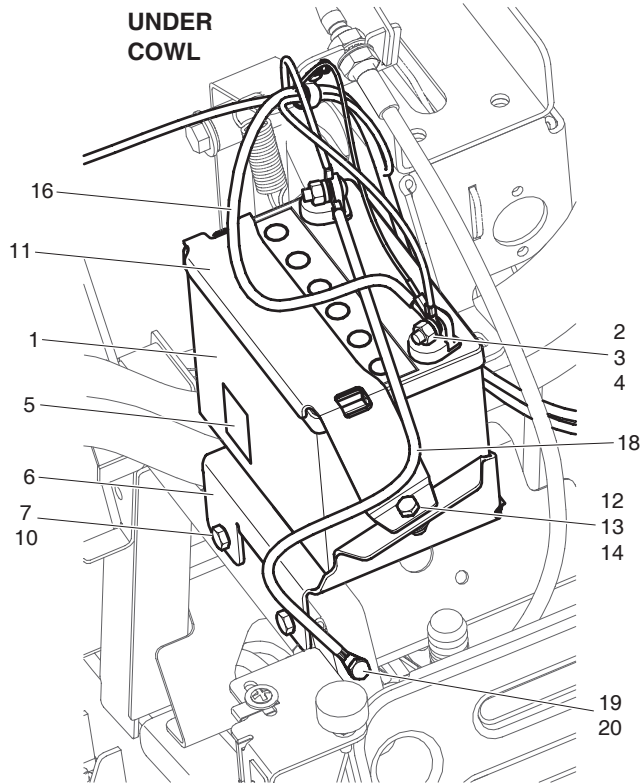
* Indicates a component that is not available as an individual part.

G** Indicates consult Customer Service Department for additional information.

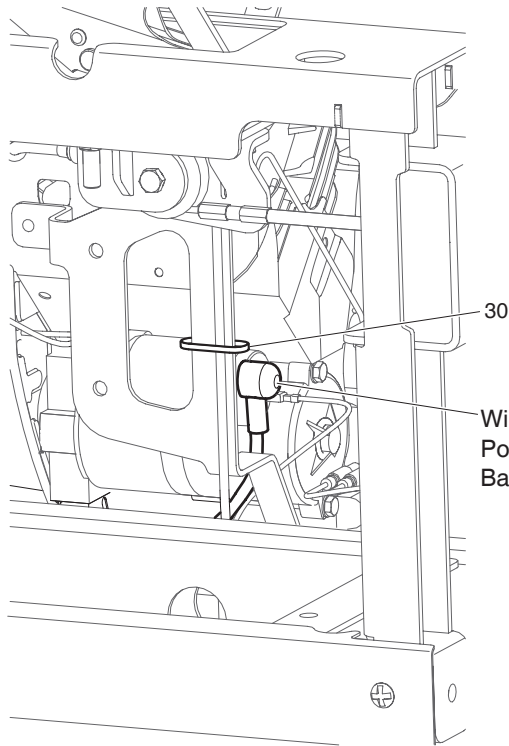
ITEM	PART NO.	1	2	3	4	5	DESCRIPTION	QTY.
1	73660-G01						GAUGE PLATE	1
2								
3	71055-G01						RIVET, 3/16" X 1" LG (ALUMINUM)	4
4								
5								
6	600807						GAUGE CLUSTER.....	1
7	73829-G01						LIGHT SWITCH.....	AR
8	73877-G01						SWITCH HOLE PLUG.....	AR
9	73830-G01						BED DUMP SWITCH (SEE POWER DUMP SECTION)	1
10	73892-G01						SWITCH HOLE PLUG.....	AR
11								
12								
13								
14								
15								
16								
17								
18								
19	73829-G02						ROCKER SWITCH.....	2
20								
21								
22								
23	71078-G01						POWER OUTLET.....	1
24	71045-G01						RIVET, 5/32" X 3/4" LG	2
25								
26	00568-G7						LOCK WASHER, EXTERNAL TOOTH	1
27	72926-G01						KEY SWITCH (OFF-ON-START).....	1
28	73772-G01						PLATE, KEY	1
29	73767-G01						LABEL (KEY START).....	1

ELECTRICAL

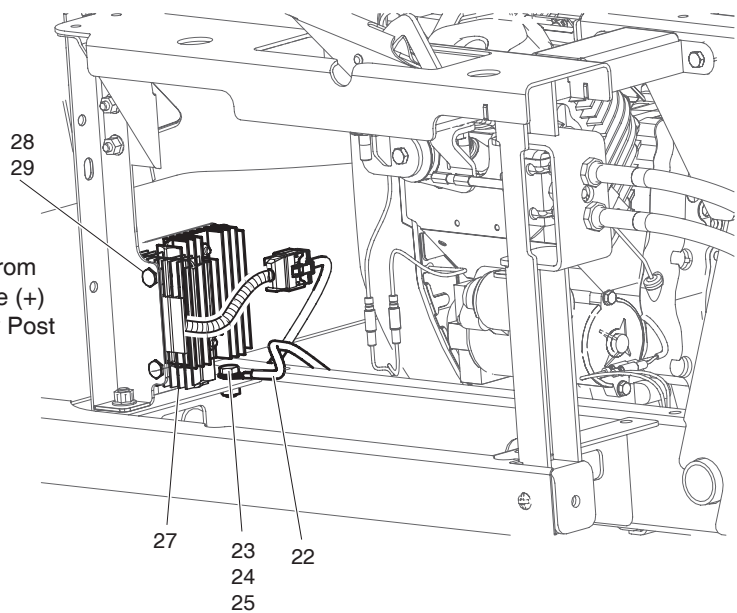
**UNDER
COWL**



**DRIVER SIDE
BEHIND SIDE
PANEL**



**DRIVER SIDE
BEHIND SIDE
PANEL**



Ref Ele 19-3

Where applicable, THE USE OF NON UL PARTS WILL VOID ANY UL LISTING.

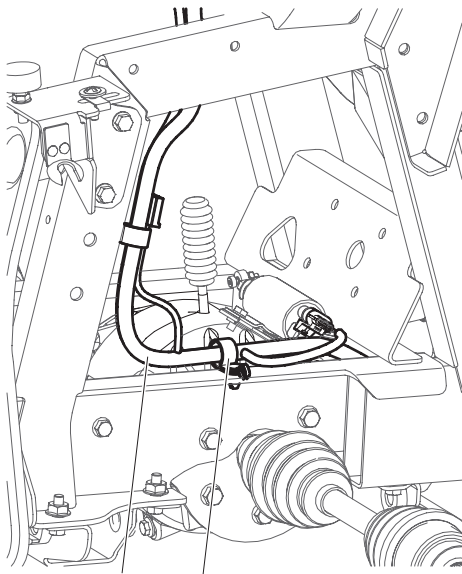
When ordering parts, please specify the model and serial number of the product.

* Indicates a component that is not available as an individual part.

G** Indicates consult Customer Service Department for additional information.

ITEM	PART NO.	1 2 3 4 5	DESCRIPTION	QTY.
1	74956-G01		BATTERY	1
2	74959-G01		SCREW, 5/16 - 18 X 1" LG	2
3	00993-G01		LOCK WASHER, 5/16" (SILICON BRONZE)	2
4	00994-G01		NUT, 5/16 - 18 (SILICON BRONZE)	2
5	35493-G01		LABEL (BATTERY DISPOSAL - CE)	1
6	74957-G01		BATTERY TRAY	1
7	00438-G8		BOLT, 5/16 - 18 X 1" LG	3
8				
9				
10	800697		LOCK NUT, 5/16 - 18	3
11	74958-G01		BATTERY RETAINER	1
12	00438-G8		BOLT, 5/16 - 18 X 1" LG	2
13	00642-G8		WASHER, 5/16"	2
14	11098-G6		LOCK NUT, 5/16 - 18	2
15				
16	25972-G144		6 GA WIRE (BLACK 94") (B+ / SOL)	1
17				
18	25972-G145		6 GA WIRE (BLACK 20") (B- / GRD)	1
19	00438-G8		BOLT, 5/16 - 18 X 1" LG	1
20	800697		LOCK NUT, 5/16 - 18	1
21				
22	25972-G146		6 GA WIRE (BLACK 26") (GRD / ENG)	1
23	00426-G6		BOLT, 3/8 - 16 X 3/4" LG	1
24	00560-G1		WASHER, 3/8"	1
25	800698		LOCK NUT, 3/8 - 16	1
26				
27	72927-G01		VOLTAGE REGULATOR	1
28	00414-G8		BOLT, 1/4 - 20 X 1" LG	2
29	14390-G4		LOCK NUT, 1/4 - 20	2
30	17618-G1		WIRE TIE	1

ELECTRICAL



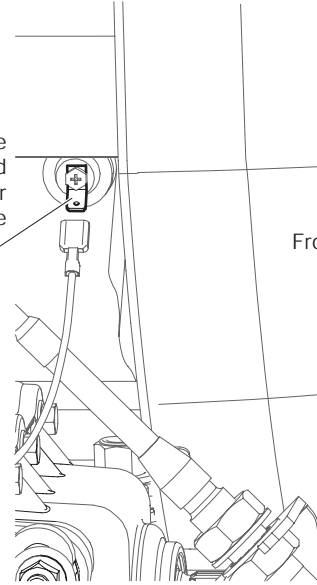
**DRIVER SIDE
FRONT OF
VEHICLE**

1
2 All Items Are Not Shown
3 But Are Item 3 Qty. 19

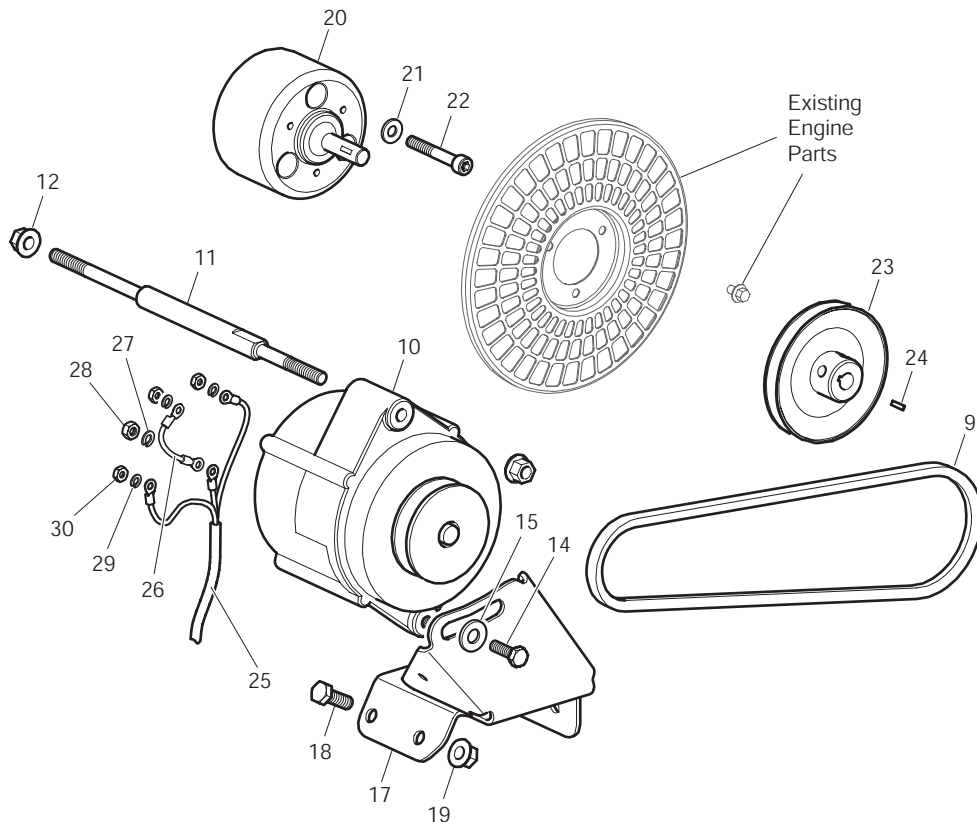
Oil Pressure
Switch Mounted
On Passenger
Side Of Engine

6

Front Of Vehicle



**PASSENGER
SIDE OF ENGINE**

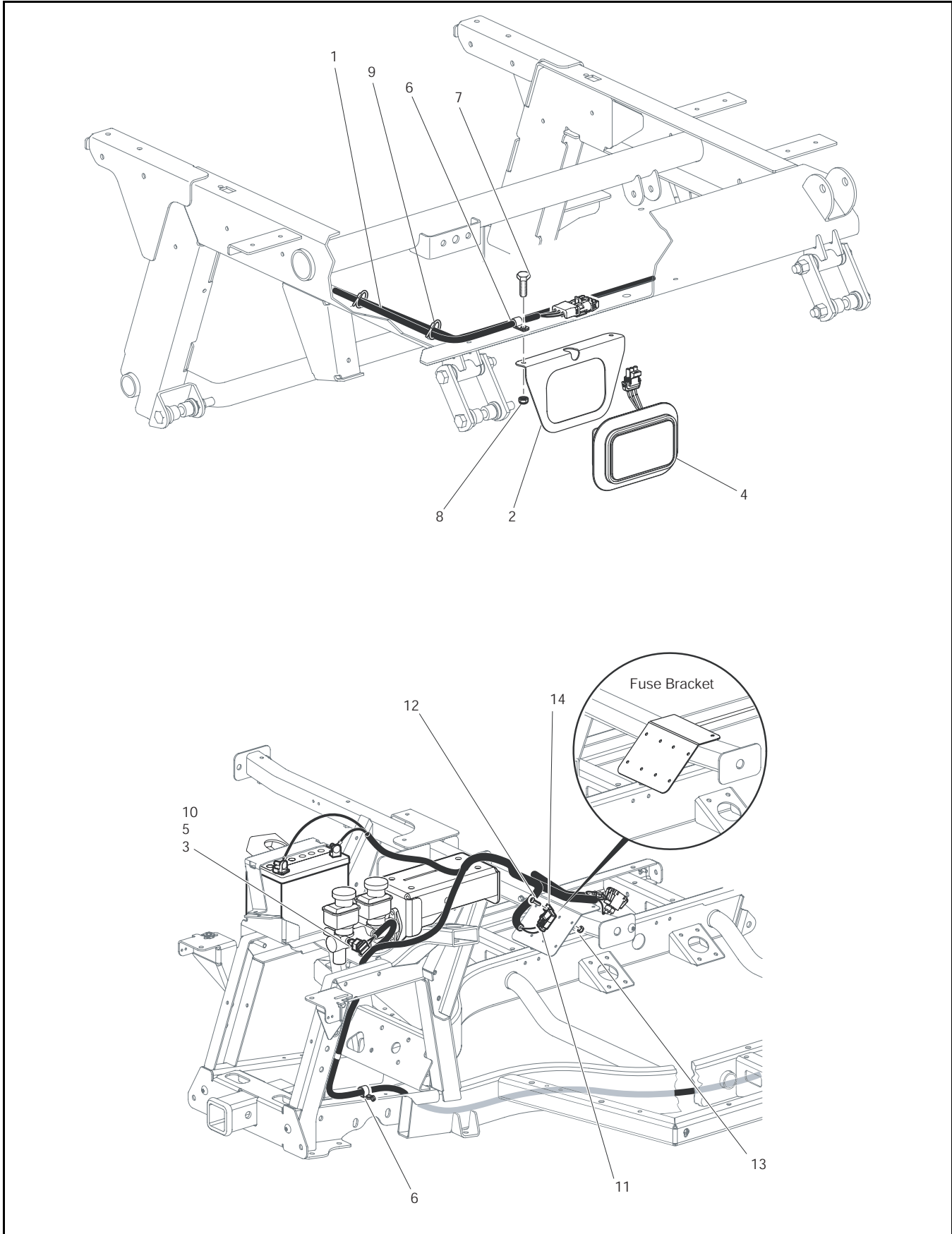


Ref Ele 19-4

Where applicable, THE USE OF NON UL PARTS WILL VOID ANY UL LISTING.
 When ordering parts, please specify the model and serial number of the product.
 * Indicates a component that is not available as an individual part.
 G** Indicates consult Customer Service Department for additional information.

ITEM	PART NO.	1	2	3	4	5	DESCRIPTION	QTY.
1	73989-G01						WIRE HARNESS.....	1
2	73864-G01						CLAMP, 1/2".....	7
3	73864-G02						CLAMP, 3/4".....	19
4								
5								
6	12914-G1						FASTON MALE TERMINAL # 10 X 1/4".....	1
7								
8								
9	73561-G01						ALTERNATOR BELT.....	1
10	893633						ALTERNATOR.....	1
11	73557-G01						ALTERNATOR MOUNTING SHAFT.....	1
12	800698						LOCK NUT, 3/8 - 16.....	2
13								
14	00438-G8						BOLT, 5/16 - 18 X 1" LG.....	1
15	00571-G2						WASHER, 5/16".....	1
16								
17	73556-G01						ALTERNATOR BRACKET.....	1
18	00426-G8						BOLT, 3/8 - 16 X 1" LG.....	4
19	800698						LOCK NUT, 3/8 - 16.....	4
20	73558-G01						PTO SHAFT.....	1
21	01120-G01						WASHER, M8.....	3
22	01119-G01						BOLT, M8 X 1.25 X 55MM LG.....	3
23	842996						PULLEY.....	1
24	2702249						WOODRUFF KEY.....	1
25	73973-G01						WIRE HARNESS (ALTERNATOR).....	1
26	25977-G102						16 GA WIRE (BLACK 3").....	1
27	00565-G7						LOCK WASHER, 1/4".....	1
28	00532-G1						NUT, 1/4 - 20.....	1
29	00565-G5						LOCK WASHER, #10.....	3
30	00526-G4						NUT, #10 - 32.....	3

ELECTRICAL



Where applicable, THE USE OF NON UL PARTS WILL VOID ANY UL LISTING.

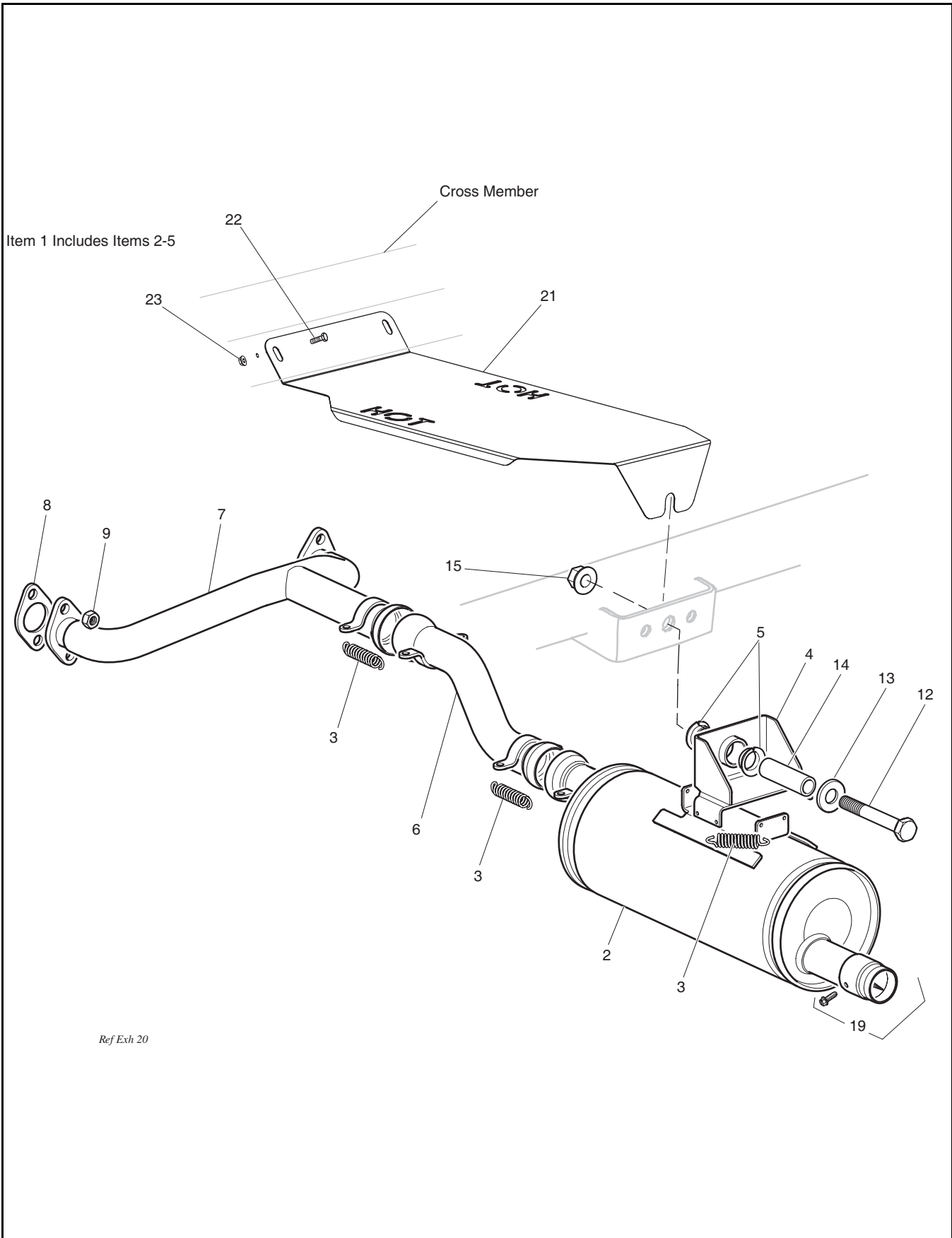
When ordering parts, please specify the model and serial number of the product.

* Indicates a component that is not available as an individual part.

G** Indicates consult Customer Service Department for additional information.

ITEM	PART NO.	1	2	3	4	5	DESCRIPTION	QTY.
1	600399-G01						BRAKE LIGHT HARNESS	1
2	600398-G01						TAIL LIGHT MOUNTING BRACKET	1
3	600401-G01						ADAPTER	1
4	32739-G3						TAILLIGHT (WITH SEALED CONNECTORS)	1
5	21510-G1						BRAKE LIGHT SWITCH	1
6	11845-G7						INSULATED CABLE CLAMP, 1/2"	1
7	00414-G6						BOLT, 1/4 - 20 X 3/4" LG	2
8	14390-G4						LOCK NUT, 1/4 - 20	2
9	31539-G1						WIRE TIE	8
10	600479						WASHER M8, PRESSURE SEALING	1
11	35212-G01						FUSE, 15 AMP	1
12	00740-G4						SCREW 10 - 32 X 1/2" LG (STAINLESS STEEL)	1
13	00734-G5						LOCK NUT #10 - 32	1
14	73499-G01						INLINE FUSE COVER	1

EXHAUST



Where applicable, THE USE OF NON UL PARTS WILL VOID ANY UL LISTING.

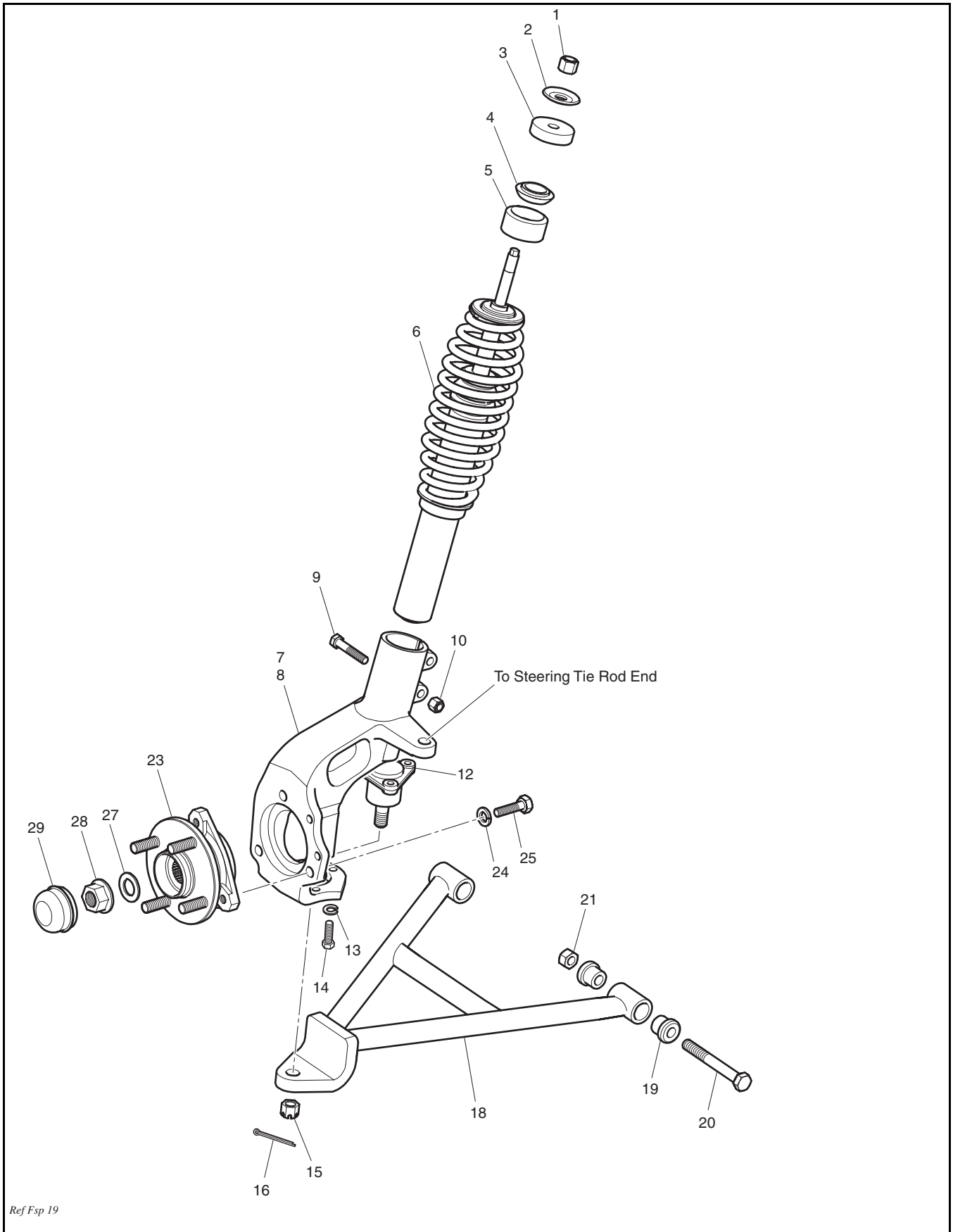
When ordering parts, please specify the model and serial number of the product.

* Indicates a component that is not available as an individual part.

G** Indicates consult Customer Service Department for additional information.

ITEM	PART NO.	1 2 3 4 5	DESCRIPTION	QTY.
1	73579-G01		MUFFLER ASSEMBLY (INCLUDES ITEMS 2 - 5)	1
2	73575-G01		MUFFLER	1
3	73544-G01		SPRING	8
4	73578-G01		MOUNTING BRACKET (INCLUDES ITEM 5)	1
5	*		BUSHING	2
6	73628-G01		EXHAUST PIPE	1
7	73627-G01		EXHAUST MANIFOLD	1
8	73860-G01		GASKET	2
9	94050-08000		NUT	4
10				
11				
12	311398		BOLT, 1/2 - 13 X 3 1/2" LG	1
13	00643-G3		WASHER, 1/2"	1
14	73993-G01		INNER PIVOT TUBE	1
15	800700		LOCK NUT, 1/2 - 13	1
16				
17				
18				
19	72986-G01		SPARK ARRESTER (SCREW INCLUDED)	1
20				
21	600402-G01		HEAT SHIELD	1
22	00414-G06		SCREW, 1/4 - 20 X 1" LG	2
23	800706		NUT, LOCK, 1/4 - 20	2

FRONT SUSPENSION



FRONT SUSPENSION

Where applicable, THE USE OF NON UL PARTS WILL VOID ANY UL LISTING.

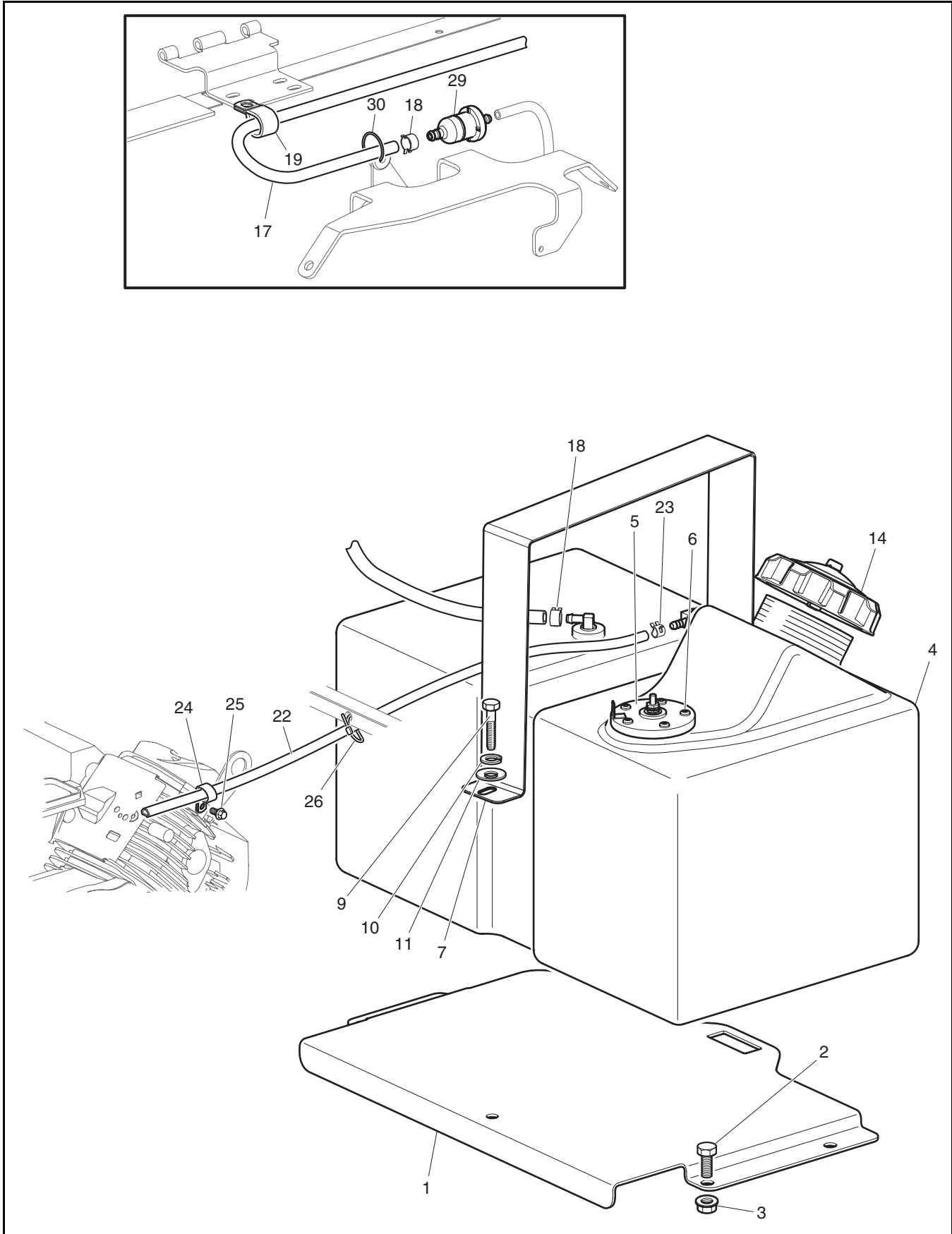
When ordering parts, please specify the model and serial number of the product.

* Indicates a component that is not available as an individual part.

G** Indicates consult Customer Service Department for additional information.

ITEM	PART NO.	1 2 3 4 5	DESCRIPTION	QTY.
1	11098-G8		LOCK NUT, 1/2 - 20	2
2	73611-G01		STRUT WASHER.....	2
3	73615-G01		STRUT BUSHING	2
4	73614-G01		SPHERICAL BALL	2
5	73612-G01		BALL SEAT	2
6	73613-G01		STRUT	2
7	73623-G01		KNUCKLE (DRIVER SIDE)	1
8	73623-G02		KNUCKLE (PASSENGER SIDE)	1
9	00427-G8		BOLT, 3/8 - 16 X 2" LG	4
10	11098-G4		LOCK NUT, 3/8 - 16	4
11				
12	73786-G01		BALL JOINT	2
13	00664-G8		LOCK WASHER, 5/16" (STAINLESS STEEL)	6
14	01055-G01		BOLT, M8 - 1.25 X 30MM LG.....	6
15	73814-G01		CASTLE NUT	2
16	00798-G1		COTTER PIN, 1/16" X 1" LG	2
17				
18	600423-G01		CONTROL ARM.....	2
19	70291-G01		FLANGED BUSHING	8
20	316913		SCREW, 1/2 - 13 X 4" LG	4
21	00557-G1		LOCK NUT, 1/2 - 13	4
22				
23	72839-G01		BEARING	2
24	00566-G3		LOCK WASHER, 1/2".....	6
25	01066-G01		BOLT, M12 - 1.75 X 40MM LG.....	6
26				
27	21830-G01		OUTER BRAKE WASHER.....	2
28	800973		LOCK NUT, 3/4 - 16	2
29	12091-G2		SPINDLE CAP.....	2
30				

FUEL SYSTEM



FUEL SYSTEM

Where applicable, THE USE OF NON UL PARTS WILL VOID ANY UL LISTING.

When ordering parts, please specify the model and serial number of the product.

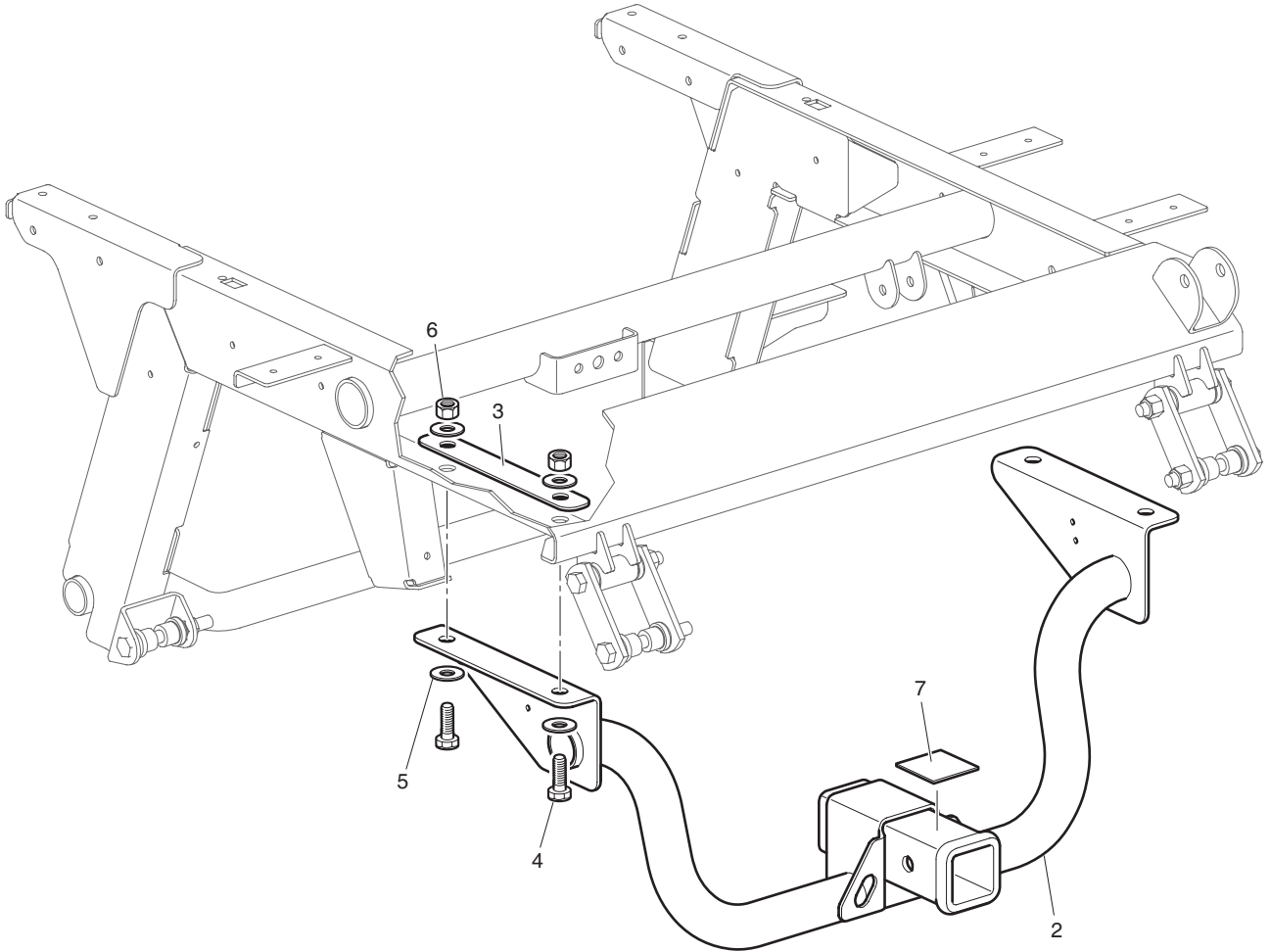
* Indicates a component that is not available as an individual part.

G** Indicates consult Customer Service Department for additional information.

ITEM	PART NO.	1 2 3 4 5	DESCRIPTION	QTY.
1	73827-G01		FUEL TANK PLATE	1
2	00426-G6		BOLT, 3/8 - 16 X 3/4" LG	3
3	800698		LOCK NUT, 3/8 - 16	3
4	74759-G01		FUEL TANK ASSEMBLY	1
5	20048-G6		FUEL LEVEL SENDER (INCLUDES ITEM 6)	1
6	20048-G3		SCREW, #10 - 32 x 3/4" LG	5
7	73773-G01		FUEL TANK MOUNTING STRAP	1
8				
9	00439-G1		BOLT, 5/16 - 18 X 1 1/8" LG	1
10	00565-G8		LOCK WASHER, 5/16"	1
11	00642-G8		WASHER, 5/16"	1
12				
13				
14	73815-G01		FUEL CAP	1
15				
16				
17	27183-G01		TUBING, 1/4" I.D. X 1/2" O.D. (BULK)	AR
18	18292-G1		CLAMP	2
19	11845-G3		INSULATED CABLE CLAMP, 11/16"	2
20				
21				
22	28839-G01		TUBING, 3/16" I.D. X 3/8" O.D. (BULK)	AR
23	18292-G3		CLAMP, 3/8"	2
24	11845-G3		INSULATED CABLE CLAMP, 11/16"	1
25	73875-G01		BOLT, M8 - 1.25 x 20MM LG	1
26	17618-G1		WIRE TIE	1
27				
28				
29	72999-G01		FUEL FILTER	1
30	17618-G1		WIRE TIE	1

HITCH

1 - INCLUDES ITEMS 2 - 7



Ref Hit 19

Where applicable, THE USE OF NON UL PARTS WILL VOID ANY UL LISTING.

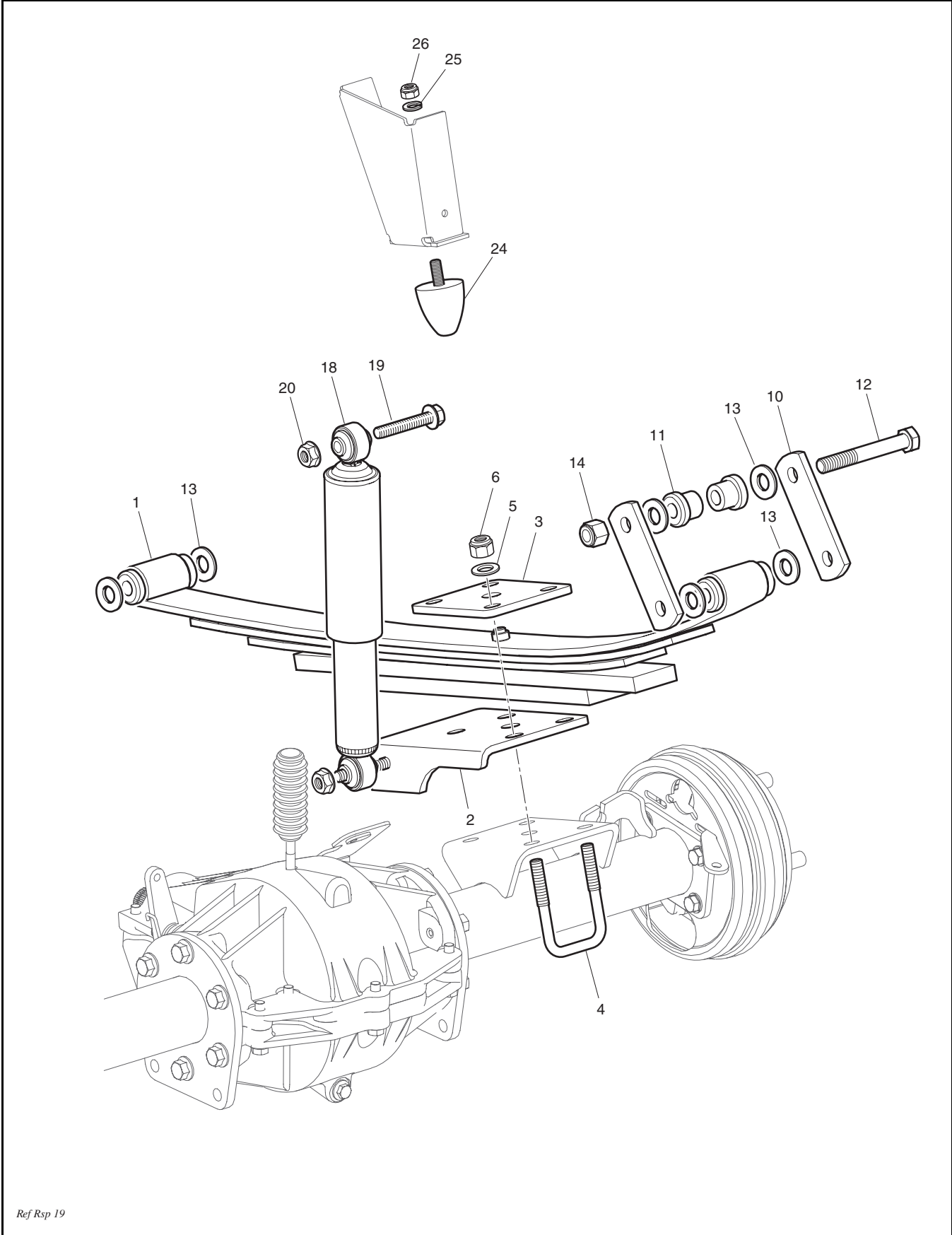
When ordering parts, please specify the model and serial number of the product.

* Indicates a component that is not available as an individual part.

G** Indicates consult Customer Service Department for additional information.

ITEM	PART NO.	1 2 3 4 5	DESCRIPTION	QTY.
1	74989-G01		REAR HITCH KIT (INCLUDES ITEMS 2 - 7)	1
2	74987-G01		REAR HITCH	1
3	74988-G01		BACKING PLATE	2
4	00403-G4		BOLT, 1/2 - 13 X 1 1/2" LG	4
5	00643-G3		WASHER, 1/2"	8
6	14390-G6		LOCK NUT, 1/2 - 13.....	4
7	74991-G01		LABEL (HITCH CAPACITY)	1

REAR SUSPENSION



Ref Rsp 19

REAR SUSPENSION

Where applicable, THE USE OF NON UL PARTS WILL VOID ANY UL LISTING.

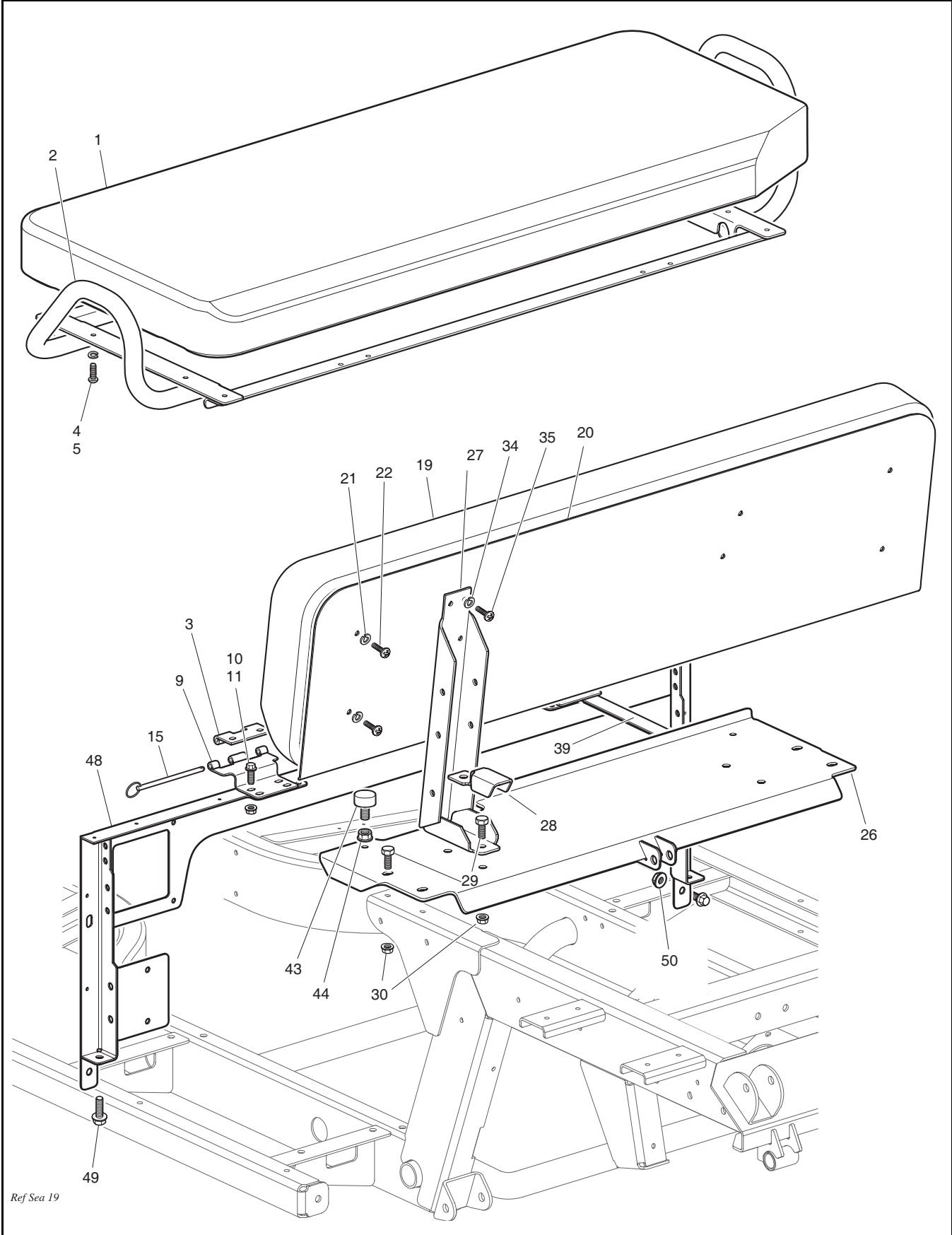
When ordering parts, please specify the model and serial number of the product.

* Indicates a component that is not available as an individual part.

G** Indicates consult Customer Service Department for additional information.

ITEM	PART NO.	1 2 3 4 5	DESCRIPTION	QTY.
1	73802-G01		LEAF SPRING, 265/500 LB	2
2	73896-G01		SHOCK MOUNTING BRACKET	2
3	600282-G01		LEAF SPRING PLATE	2
4	73900-G01		U-BOLT, 3/8-16	4
5	00560-G1		WASHER, 3/8"	8
6	11098-G5		LOCK NUT, 3/8 - 16	8
7				
8				
9				
10	73898-G01		LEAF SPRING SHACKLE	4
11	70291-G01		FLANGED BUSHING	12
12	316913		SCREW, 1/2 - 13 X 4" LG	6
13	00643-G3		WASHER, 1/2"	8
14	14390-G6		LOCK NUT, 1/2 - 13	6
15				
16				
17				
18	73805-G01		SHOCK ABSORBER.....	2
19	13437-G8		LOCK SCREW, 3/8 - 16 X 2" LG.....	4
20	800698		LOCK NUT, 3/8 - 16	4
21				
22				
23				
24	70492-G01		RUBBER BUMPER	2
25	00968-G01		LOCK WASHER, 10MM.....	2
26	00974-G01		NUT, M10 X 1.5.....	2

SEATING



Where applicable, THE USE OF NON UL PARTS WILL VOID ANY UL LISTING.

When ordering parts, please specify the model and serial number of the product.

* Indicates a component that is not available as an individual part.

G** Indicates consult Customer Service Department for additional information.

ITEM	PART NO.	1 2 3 4 5	DESCRIPTION	QTY.
1	73649-G**		SEAT BOTTOM.....	1
2	73648-G01		SEAT BOTTOM FRAME	1
3	34197-G02		HINGE	2
4	00664-G7		LOCK WASHER, 1/4" (STAINLESS STEEL)	8
5	600610		SCREW, 1/4 - 20 X 1" LG (STAINLESS STEEL).....	8
6				
7				
8				
9	35914-G01		HOUSING HALF HINGE	2
10	71204-G01		BOLT, 1/4 - 20 X 7/8" LG	8
11	800706		LOCK NUT, 1/4 - 20	8
12				
13				
14				
15	35928-G01		HINGE PIN	2
16				
17				
18				
19	73652-G**		SEAT BACK	1
20	73651-G01		SEAT BACK COVER PLATE	1
21	00664-G7		LOCK WASHER, 1/4" (STAINLESS STEEL)	4
22	600610		SCREW, TORX, 1/4 - 20 X 1" LG (STAINLESS STEEL).....	4
23				
24				
25				
26	73909-G01		SEAT CROSSMEMBER	1
27	75900-G02		SEAT BACK SUPPORT BRACKET	2
28	74947-G01		BUMPER REST	2
29	13437-G4		BOLT, 3/8 - 16 X 1" LG	8
30	800698		LOCK NUT, 3/8 - 16	8

SEATING

Where applicable, THE USE OF NON UL PARTS WILL VOID ANY UL LISTING.

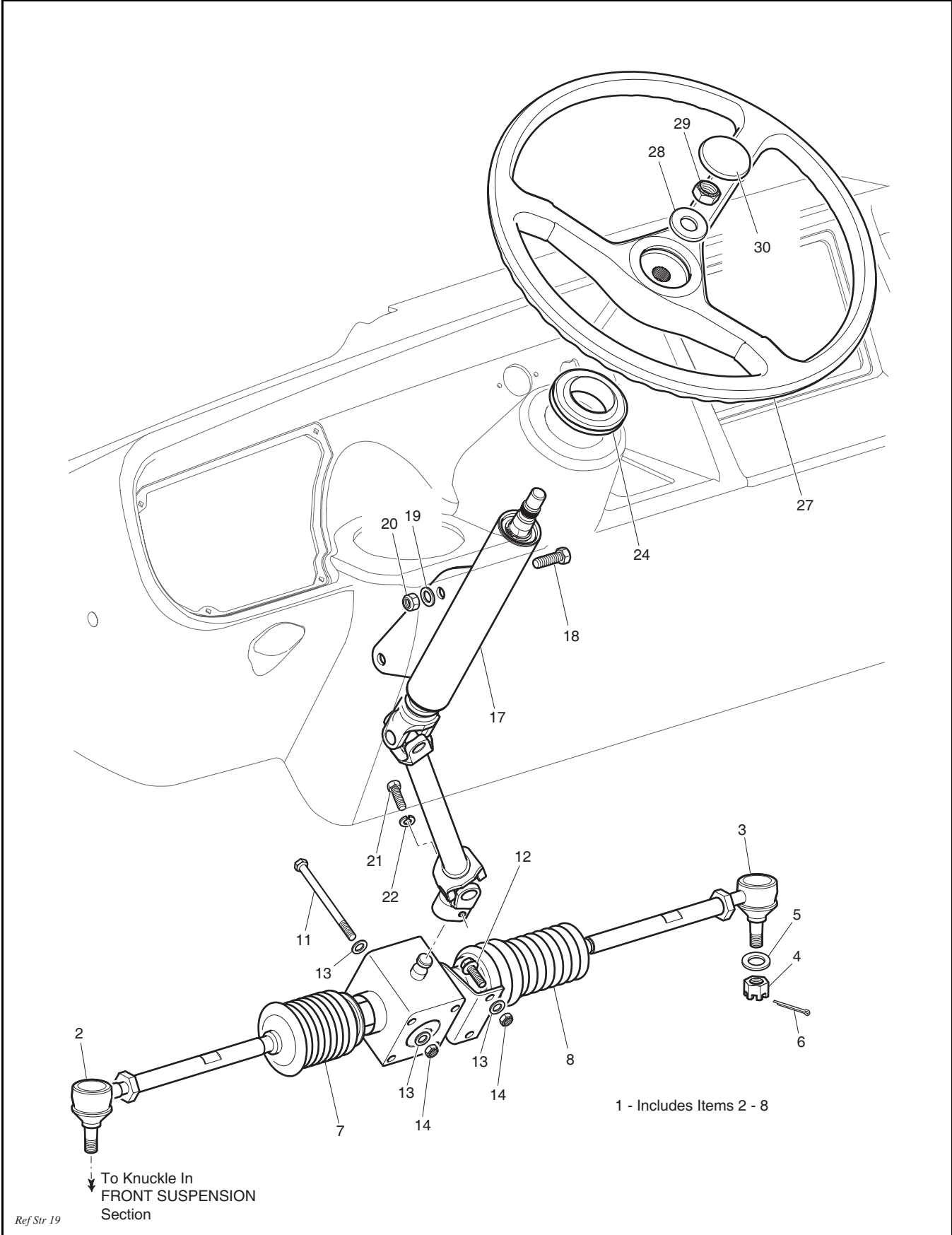
When ordering parts, please specify the model and serial number of the product.

* Indicates a component that is not available as an individual part.

G** Indicates consult Customer Service Department for additional information.

ITEM	PART NO.	1	2	3	4	5	DESCRIPTION	QTY.
31								
32								
33								
34	00664-G7						LOCK WASHER, 1/4" (STAINLESS STEEL)	4
35	600610						SCREW, TORX, 1/4 - 20 X 1" LG (STAINLESS STEEL).....	4
36								
37								
38								
39	73563-G01						BRACE	1
40								
41								
42								
43	70113-G01						ADJUSTABLE BUMPER.....	2
44	800697						LOCK NUT, 5/16 - 18.....	4
45								
46								
47								
48	600268-G01						SEAT FRAME	1
49	00426-G6						BOLT, 3/8 - 16 X 3/4" LG	4
50	800698						LOCK NUT, 3/8 - 16.....	4

STEERING



STEERING

Where applicable, THE USE OF NON UL PARTS WILL VOID ANY UL LISTING.

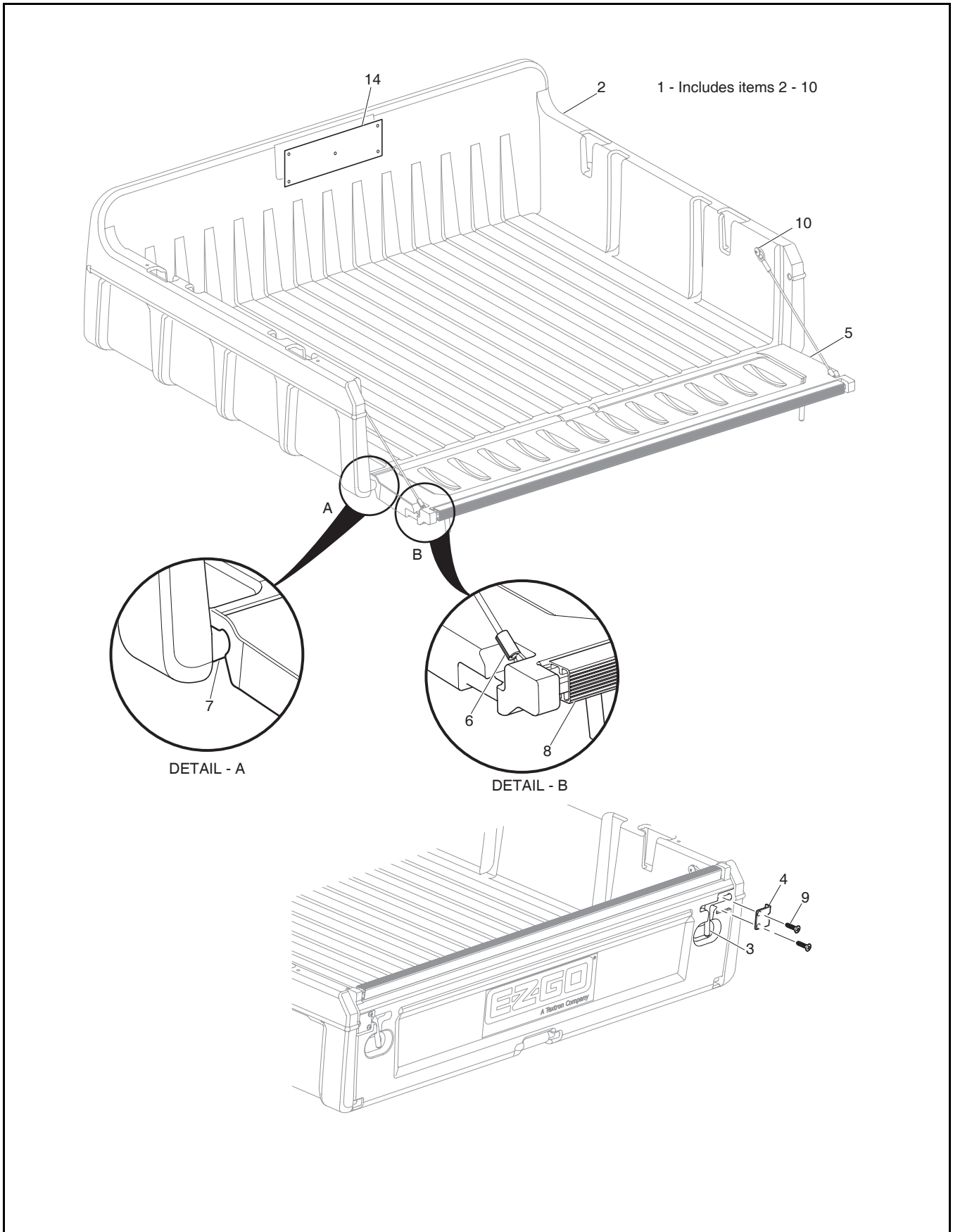
When ordering parts, please specify the model and serial number of the product.

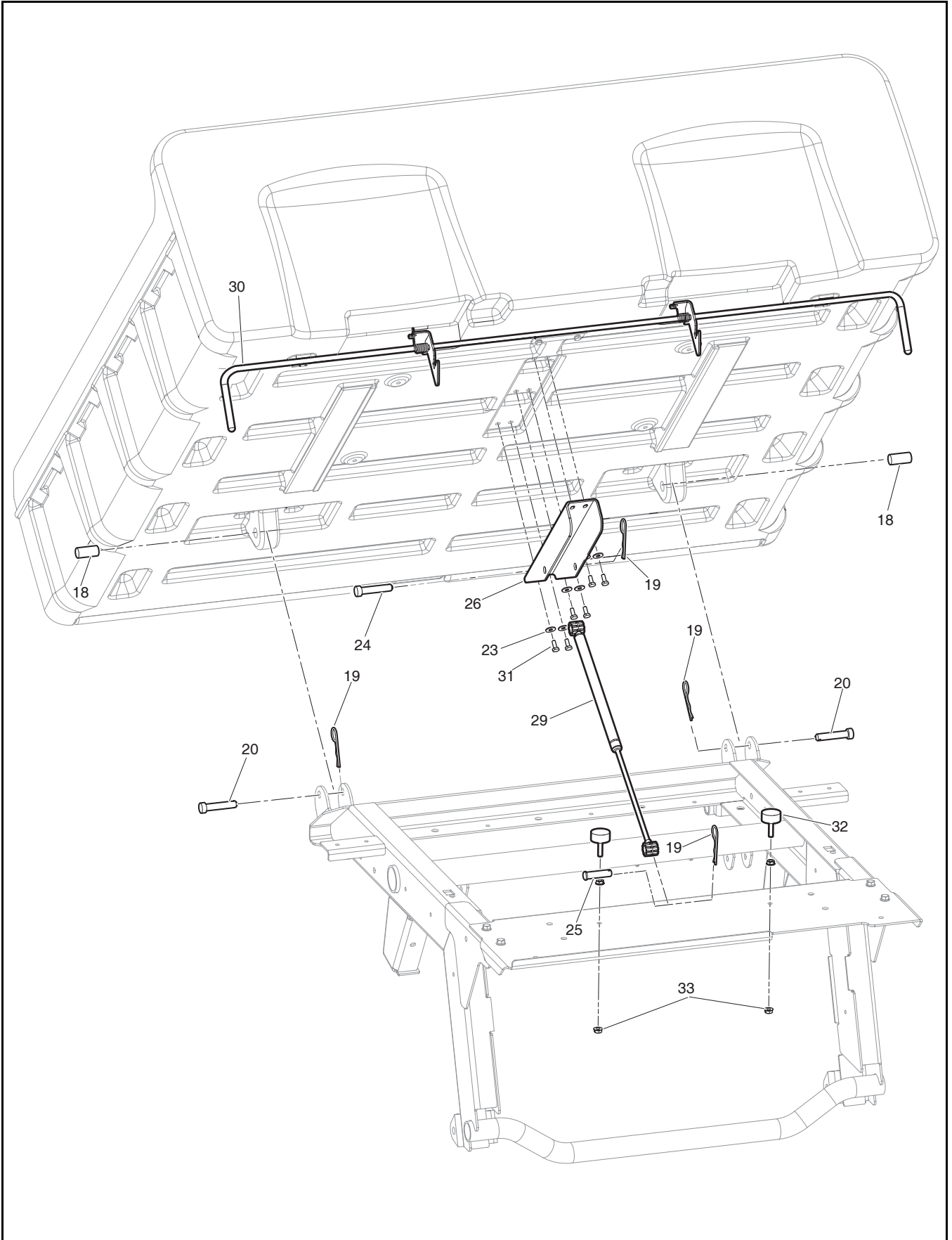
* Indicates a component that is not available as an individual part.

G** Indicates consult Customer Service Department for additional information.

ITEM	PART NO.	1 2 3 4 5	DESCRIPTION	QTY.
1	73809-G01		RACK & PINION ASSEMBLY (INCLUDES ITEMS 2 - 8)	1
2	*		TIE ROD END (DRIVER SIDE)	1
3	*		TIE ROD END (PASSENGER SIDE).....	1
4	73814-G02		NUT, CASTLE M12 X 1.25	2
5	00679-G3		WASHER, 1/2" (STAINLESS STEEL)	2
6	00798-G1		COTTER PIN, 1/16" X 1" LG	2
7	*		BOOT (DRIVER SIDE)	1
8	*		BOOT (PASSENGER SIDE).....	1
9				
10				
11	00441-G8		BOLT, 5/16 - 18 X 4" LG	2
12	13437-G3		LOCK SCREW, 5/16 - 18 X 1" LG.....	2
13	00660-G8		WASHER, 5/16" (STAINLESS STEEL).....	6
14	11098-G6		LOCK NUT, 5/16 - 18.....	4
15				
16				
17	73807-G01		STEERING COLUMN	1
18	00426-G8		BOLT, 3/8 - 16 X 1" LG	2
19	00879-G1		WASHER, 3/8"	2
20	00891-G1		LOCK NUT, 3/8 - 16.....	2
21	01092-G01		BOLT, M8 X 1.25 X 30MM LG	1
22	00565-G8		LOCK WASHER, 5/16".....	1
23				
24	73637-G01		BUSHING	1
25				
26				
27	73808-G01		STEERING WHEEL	1
28	00560-G3		WASHER, 1/2"	1
29	11098-G03		LOCK NUT, 1/2 - 20	1
30	73812-G01		STEERING WHEEL COVER	1

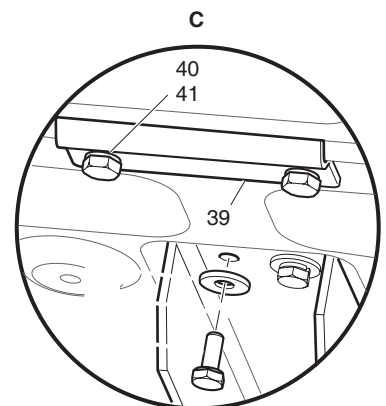
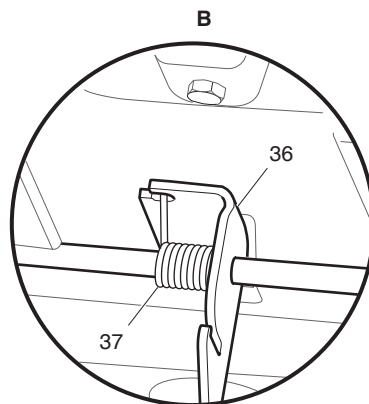
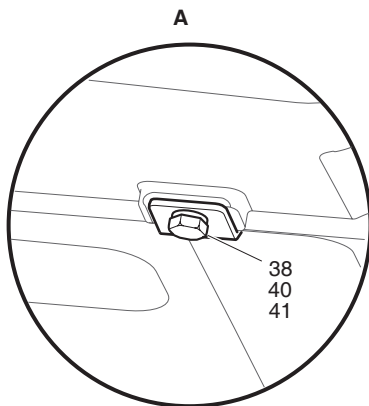
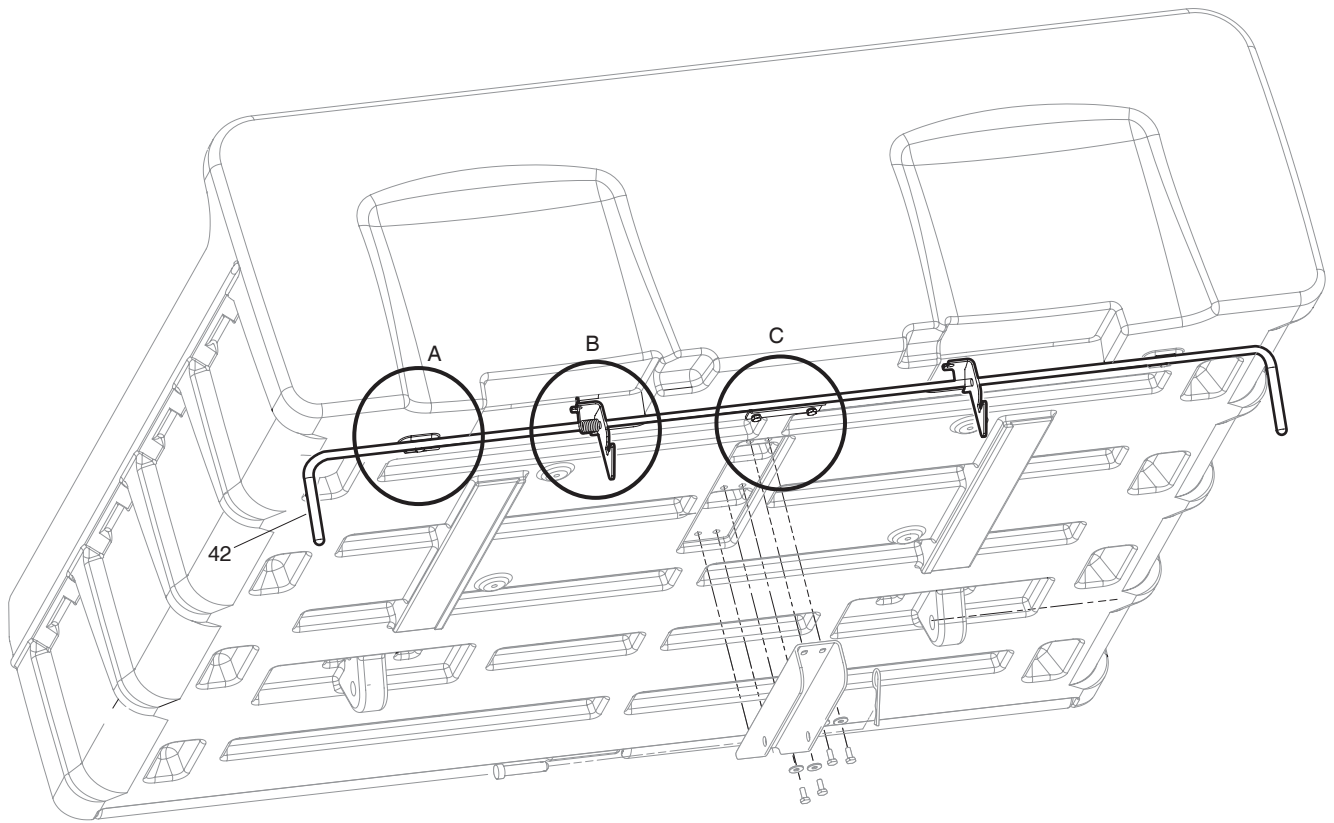
TRUCK BED





POWER DUMP

35 - Includes Items 36 - 42



Where applicable, THE USE OF NON UL PARTS WILL VOID ANY UL LISTING.

When ordering parts, please specify the model and serial number of the product.

* Indicates a component that is not available as an individual part.

G** Indicates consult Customer Service Department for additional information.

ITEM	PART NO.	1 2 3 4 5	DESCRIPTION	QTY.
1	602023		BED ASSEMBLY, 49" (INCLUDES ITEMS 2 -10).....	1
2	602021		PLASTIC BED, 49"	1
3	602026		LATCH PIN	2
4	602027		PLATE, LATCH.....	2
5	602022		TAILGATE.....	1
6	73455-G01		TAILGATE CABLE.....	2
7	73454-G01		PIVOT, TAILGATE.....	2
8	73449-G02		CHANNEL EXTRUSION.....	1
9	74384-G01		SCREW, 1/4 - 20"	8
10	73460-G01		SHOULDER BOLT.....	2
11				
12				
13				
14	74821-G04		LABEL (BED LOAD WARNING)	1
15				
16				
17				
18	73903-G01		BUSHING	2
19	21683-G1		COTTER PIN, 15/32" X 2 13/16" LG	4
20	73904-G01		CLEVIS PIN.....	2
21				
22				
23	00642-G7		WASHER, 1/4"	6
24	14443-G10		CLEVIS PIN, 1/2" X 2 7/8" LG.....	1
25	14443-G11		CLEVIS PIN, 1/2" X 1 3/4" LG.....	1
26	73907-G01		SPRING CHANNEL	1
27				
28				
29	71537-G02		GAS SPRING	1
30				

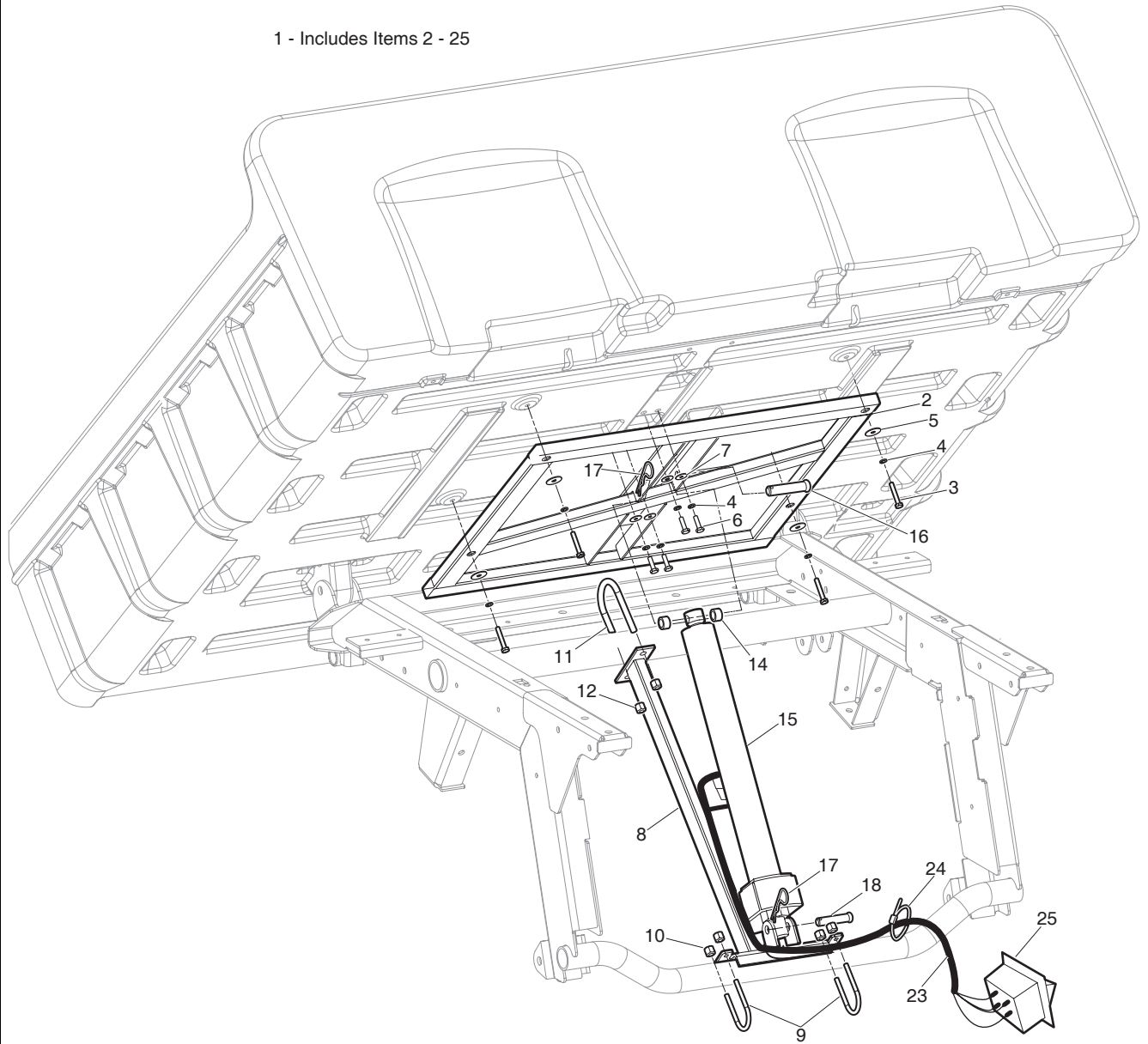
TRUCK BED

Where applicable, THE USE OF NON UL PARTS WILL VOID ANY UL LISTING.
 When ordering parts, please specify the model and serial number of the product.
 * Indicates a component that is not available as an individual part.
 G** Indicates consult Customer Service Department for additional information.

ITEM	PART NO.	1 2 3 4 5	DESCRIPTION	QTY.
31	01118-G01		SCREW, 1/4 - 20".....	6
32	70113-G01		ADJUSTABLE RUBBER BUMPER.....	2
33	11027-G1		LOCK NUT, 5/16 - 18.....	2
34				
35	73940-G01		BED LATCH ASSEMBLY (INCLUDES ITEMS 36 - 42)	1
36	73905-G01		BED LATCH.....	1
37	71538-G01		LATCH TORSION SPRING.....	1
38	71099-G02		KEEPER PLATE.....	2
39	71477-G02		RETAINER BRACKET.....	1
40	00414-G5		BOLT, 1/4 - 20 X 5/8" LG.....	4
41	00565-G7		LOCK WASHER, 1/4".....	4
42	71704-G01		HANDLE GRIP.....	2

POWER DUMP

1 - Includes Items 2 - 25



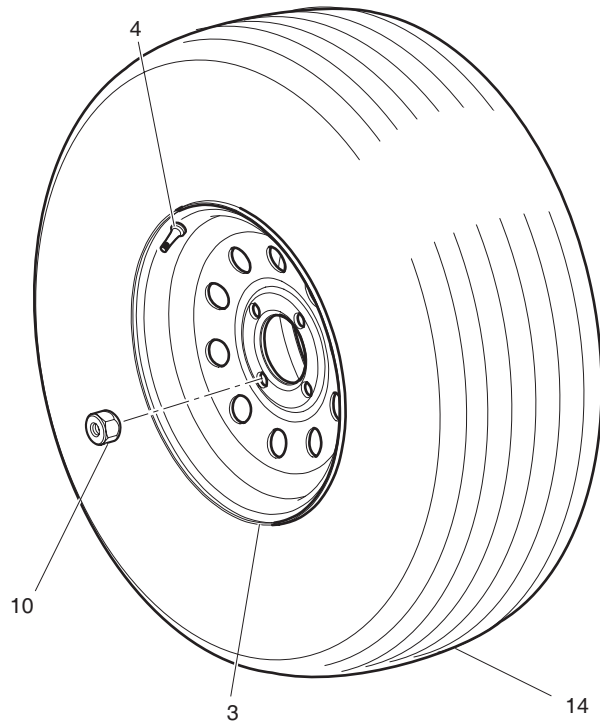
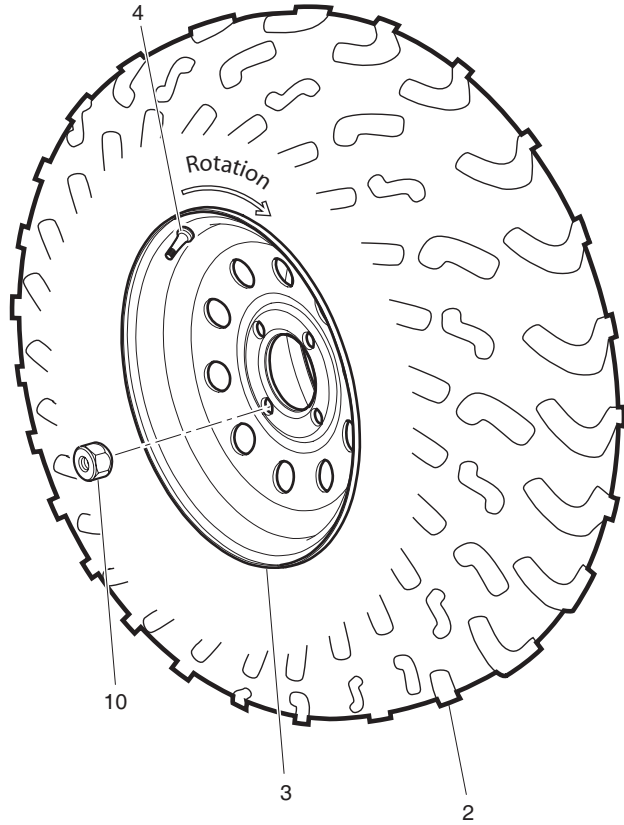
POWER DUMP

THE USE OF NON U.L. PARTS WILL VOID ANY U.L. LISTING.
 When ordering parts, please specify the model and serial number of the product.
 * Indicates a component that is not available as an individual part.
 G** Indicates consult Customer Service Department for additional information.

ITEM	PART NO.	1	2	3	4	5	DESCRIPTION	QTY.
1	602364						POWER DUMP KIT (INCLUDES ITEMS 2 - 25).....	1
2	602315						TRUCK BED FRAME.....	1
3	00415-G4						BOLT, 1/4 - 20 X 1 1/2" LG.....	4
4	00565-G7						LOCK WASHER, 1/4".....	8
5	16469-G7						FENDER WASHER, 1/4".....	4
6	00414-G7						BOLT, 1/4 - 20 X 7/8" LG.....	4
7	00642-G7						WASHER, 1/4".....	4
8	602310						BRACE.....	1
9	602356						U-BOLT, 1/4 - 20.....	2
10	14390-G4						LOCK NUT, 1/4 - 20.....	4
11	602357						U-BOLT, 3/8 - 16.....	1
12	11098-G5						LOCK NUT, 3/8 - 16.....	2
13								
14	27613-G01						SPACER.....	2
15	602353						ACTUATOR.....	1
16	14443-G10						CLEVIS PIN.....	1
17	21683-G1						COTTER PIN (HAIR CLIP).....	2
18	14443-G11						CLEVIS PIN.....	1
19								
20								
21								
22								
23	602442						WIRING HARNESS.....	1
24	17618-G1						WIRE TIE.....	8
25	73830-G01						SWITCH.....	1

WHEELS & TIRES

- 1 - Includes Items 2, 3, 4
- 7 - Includes Items 2, 3, 4
- 13 - Includes Items 14, 3, 4



Ref Whl 19

WHEELS & TIRES

Where applicable, THE USE OF NON UL PARTS WILL VOID ANY UL LISTING.
 When ordering parts, please specify the model and serial number of the product.
 * Indicates a component that is not available as an individual part.
 G** Indicates consult Customer Service Department for additional information.

ITEM	PART NO.	1 2 3 4 5	DESCRIPTION	QTY.
1	72941-G02		TIRE AND WHEEL ASSEMBLY (DRIVER SIDE) (INCLUDES ITEMS 2 - 4)	2
2	*		TIRE (AT489), 25 X 11 - 12	1
3	*		WHEEL, 10" X 6"	1
4	*		VALVE STEM	1
5				
6				
7	72941-G03		TIRE AND WHEEL ASSY. (PASSENGER SIDE) (INCLUDES ITEMS 2 - 4)	2
8				
9				
10	14723-G1		LUG NUT, 1/2 - 20	16
11				
12				
13	72994-G02		TIRE AND WHEEL ASSEMBLY (INCLUDES ITEMS 14, 3, 4)	4
14	72994-G01		TIRE (TURF CTR TREAD), 25 X 11 - 12	1

SPECIALTY PRODUCTS

SPECIALTY PRODUCTS

SPECIALTY PRODUCTS

SPECIAL TOOLS	PART NO.
CLUTCH PULLER (DRIVE)	19779-G2
CURRENT INDICATOR.....	16489-G2
DIGITAL MULTI-METER	27481-G01
COMPRESSION TESTER.....	72524-G01
FEELER GAUGE	72525-G01
TACHOMETER.....	72526-G01

ENGINE OIL	PART NO.
4 CYCLE ENGINE OIL, 5 GALLON (19 LITER)	25730-G03
4 CYCLE ENGINE OIL, 12 QUART CASE	25730-G04
4 CYCLE ENGINE OIL, 1 QUART BOTTLE (950 ML)	25730-G06

TOUCH UP PAINT	PART NO.
PEN 3 OUNCE (89 ML) - RECON GREEN	28432-G**
PEN 3 OUNCE (89 ML) - CAMOUFLAGE PAINT (THREE PENS).....	75831-G01
AEROSOL 12 OUNCE (360 ML) - RECON GREEN	28140-G**

MAINTENANCE PRODUCTS	PART NO.
PLEXUS® CLEANER, 7 OUNCE (210 ML) (FOR WINDSHIELDS).....	28433-G01
PLEXUS® CLEANER, 13 OUNCE (380 ML) (FOR WINDSHIELDS).....	28433-G02
BATTERY PROTECTOR, 14 OUNCE (410 ML) SPRAY	75500-G01
CARBURETOR & CHOKE CLEANER, 15 OUNCE (440 ML) SPRAY	75501-G01
WHITE LITHIUM GREASE, 14 OUNCE (410 ML) SPRAY	75502-G01
PENETRANT/LUBRICANT, 15 OUNCE (440 ML) SPRAY	75503-G01
MULTI-PURPOSE CLEANER & DEGREASER, 14 OUNCE (410 ML) SPRAY	75504-G01
MULTI-PURPOSE HAND CLEANER, 32 OUNCE (950 ML) LIQUID.....	75505-G01
BATTERY CLEANER, 32 OUNCE (950 ML) WITH TRIGGER SPRAYER.....	75506-G01
BIO-DEGRADABLE CLEANER, 32 OUNCE (950 ML) WITH TRIGGER SPRAYER	75507-G01
MULTI-PURPOSE VALUE PACK.....	75508-G01
<ul style="list-style-type: none"> • BATTERY PROTECTOR, 4 OUNCE (120 ML) SPRAY • PENETRANT/LUBRICANT, 4 OUNCE (120 ML) SPRAY • WHITE LITHIUM GREASE, 4 OUNCE (120 ML) SPRAY • CARBURETOR & CHOKE CLEANER, 4 OUNCE (120 ML) SPRAY 	

OPTIONS/ACCESSORIES

OPTIONS/ACCESSORIES

ITEM	KIT NO.	SECTION
HIGH OUTPUT ALTERNATOR KIT	72979-G01	Electrical
FRONT BRUSH GUARD KIT	74982-G01	Body
SIDE BRUSH GUARD KIT	74983-G01	Body
REAR HITCH KIT	74989-G01	Hitch
WINCH KIT	74259-G05	
HIGH ALTITUDE CONVERSION KIT (5-8K FT)	72971-G01	
HIGH ALTITUDE CONVERSION KIT (8-10K FT)	72971-G02	
TURF TIRE AND WHEEL ASSEMBLY	600872	Wheels And Tires
FRONT DIFFERENTIAL GUARD	72844-G01	Drivetrain - Front
REAR DIFFERENTIAL GUARD	72899-G01	Drivetrain - Rear



A Textron Company

E-Z-GO Division Of Textron, Inc.,
1451 Marvin Griffin Road, Augusta, Georgia USA 30906-3852

TO CONTACT US

North America:

Technical Assistance & Warranty Phone: 1-800-774-3946, FAX: 1-800-448-8124
Service Parts Phone: 1-888-GET-EZGO (1-888-438-3946), FAX: 1-800-752-6175

International:

Phone: 001-706-798-4311, FAX: 001-706-771-4609

Certified ISO 9001 / ISO 14001 by



Copyrighted Material
This manual may not be reproduced in whole or
in part without the express permission of
E-Z-GO Division of Textron, Inc.
Technical Communications Department